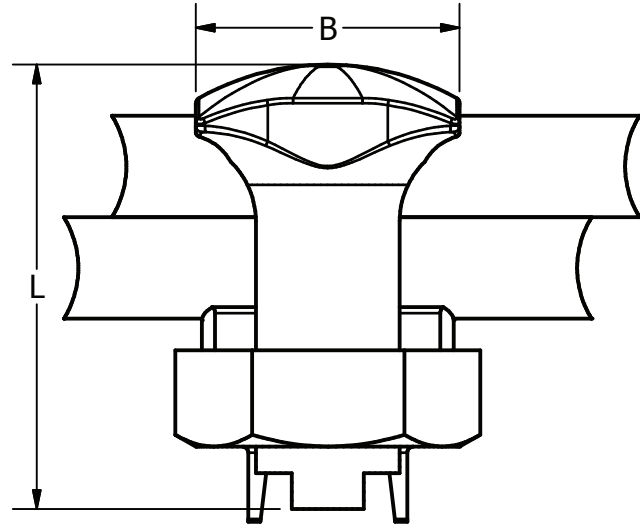
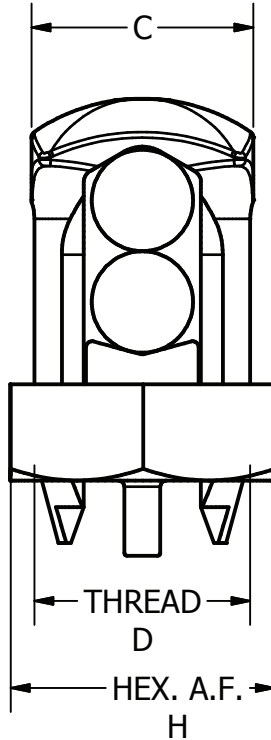
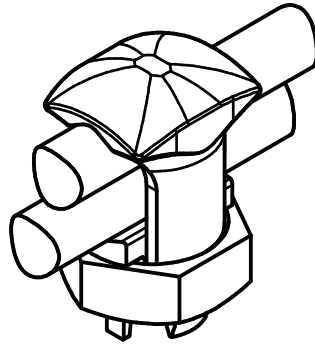


ITEM NO

DWG NO
D-2583

MATERIAL:
NUT AND BODY ALUM. BRONZE
PRESSURE BAR-COPPER

NOTE:
FOR TIN PLATING ADD "N" TO
CATALOG
NO. EXAMPLE: DSN-35

C CATALOG #	MIN.	MAX.	B	C	L	H	D
DS25-C	1/0	250MCM	1 3/8	1 5/32	2 5/16	1 3/8	1 1/8-12-NF2
DS35	4/0	350MCM	1 1/2	1 1/4	2 25/32	1 13/16	1 1/2-12-NF2
DS50	250MCM	500MCM	1 3/4	1 13/32	3 7/32	2 1/16	1 11/16-12-NF2
DS75	350MCM	750MCM	2	1 3/4	3 5/8	2 1/4	1 7/8-12 NF2
DS100	500MCM	1000MCM	2 1/2	1 15/16	4 3/16	2 5/8	2 1/8-12-NF2

THIS DRAWING AND ALL INFORMATION ON IT IS THE PROPERTY OF AFL. IT IS CONFIDENTIAL AND IT IS GIVEN TO YOU FOR A LIMITED PURPOSE AND MUST BE RETURNED UPON REQUEST. NEITHER THIS DRAWING OR ANY PART OF IT NOR ANY INFORMATION CONCERNING IT MAY BE COPIED, EXHIBITED, OR FURNISHED TO OTHERS NOR PHOTOGRAPHS TAKEN OF ANY ARTICLE FABRICATED OR ASSEMBLED FROM THE DRAWING WITHOUT THE CONSENT OF AFL.

LOCATION

CONTRACT NO

CUST / CONTR

REVISIONS

REV	DESCRIPTION	DATE	BY	APR
2	RE-DRAWN IN INVENTOR	2	LK	2

DRN BY:
ES
DRN DATE:
4-27-76
CHK BY:
HJ
CHK DATE:
4-27-76

CONNECTOR, SERVICE

REV
2

DS-SERIES

1 OF 1