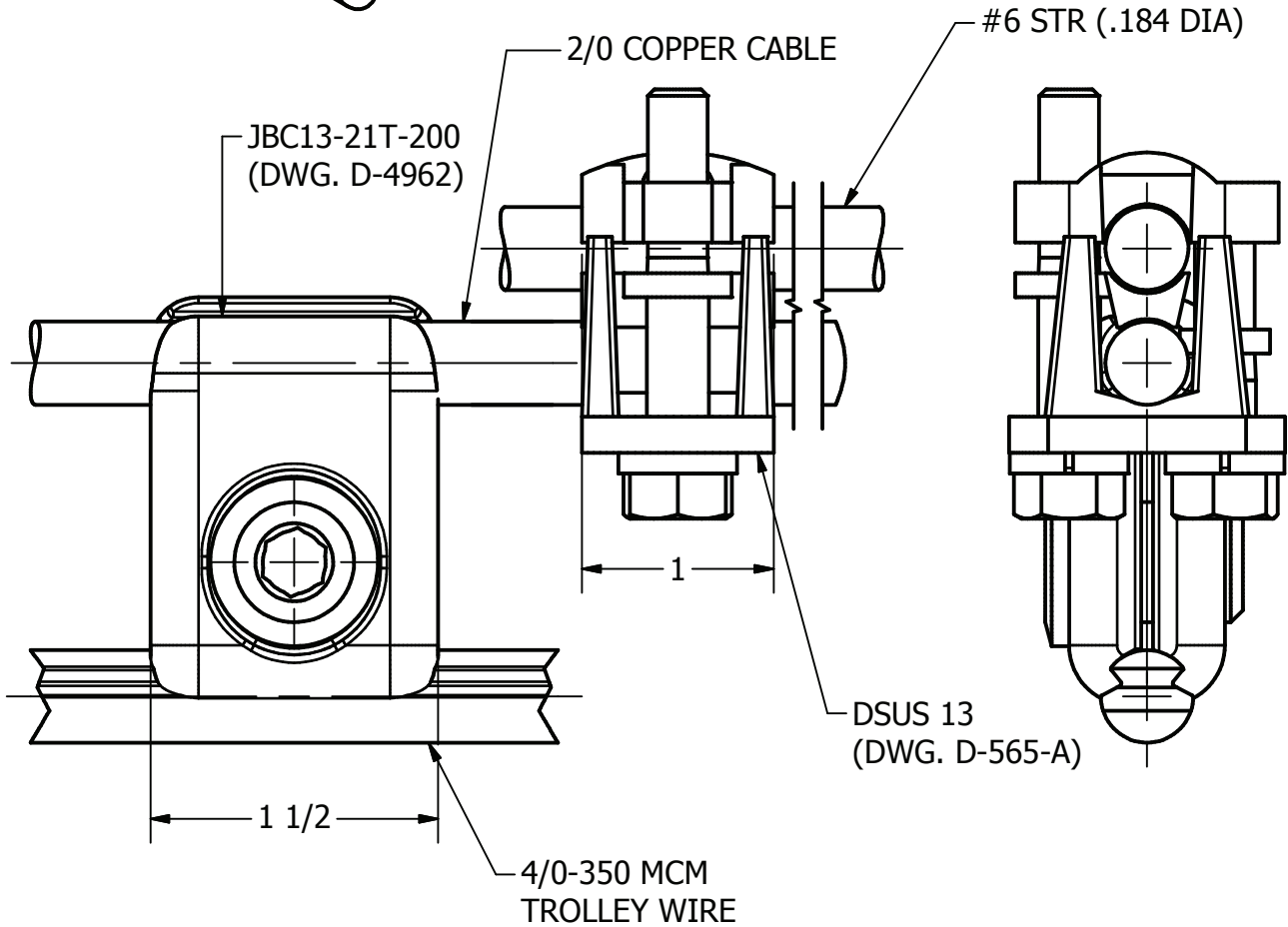
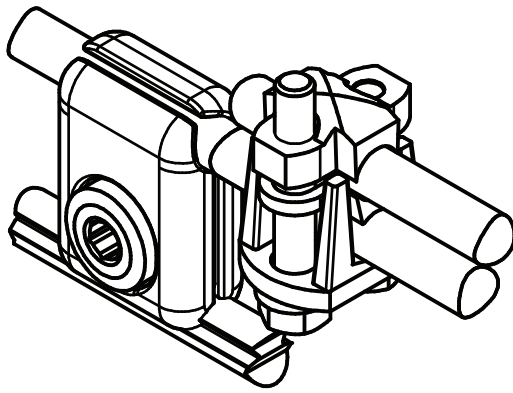


ITEM NO

DWG NO
D-7144

THIS DRAWING AND ALL INFORMATION ON IT IS THE PROPERTY OF AFL. IT IS CONFIDENTIAL AND IT IS GIVEN TO YOU FOR A LIMITED PURPOSE AND MUST BE RETURNED UPON REQUEST. NEITHER THIS DRAWING OR ANY PART OF IT NOR ANY INFORMATION CONCERNING IT MAY BE COPIED, EXHIBITED, OR FURNISHED TO OTHERS NOR PHOTOGRAPHS TAKEN OF ANY ARTICLE FABRICATED OR ASSEMBLED FROM THE DRAWING WITHOUT THE CONSENT OF AFL.



0.97 LBS

LOCATION

CONTRACT NO

CUST / CONTR

REVISIONS

REV	DESCRIPTION	DATE	BY	APR
2	RE-DRAWN IN INVENTOR	3-12-10	LK	EP

DRN BY:
BL
DRN DATE:
2-3-92
CHK BY:
HJ
CHK DATE:
2-3-92



CLAMP, PARALLEL FOR ARRESTOR CABLE #6 & TROLLEY WIRE

REV
2

JBC6-34T-200

1 OF 1