

ITEM NO

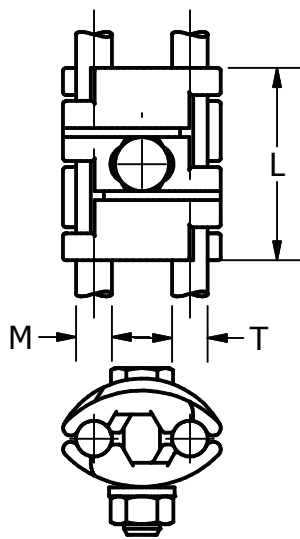
DWG NO
D-217

FIG. 1

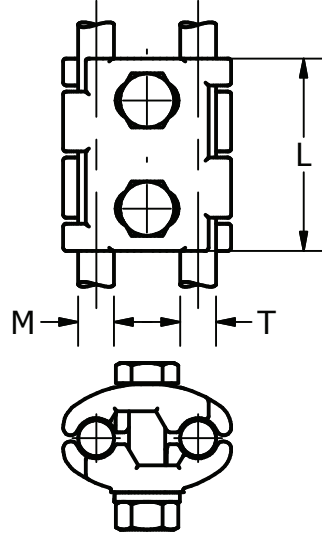


FIG. 2

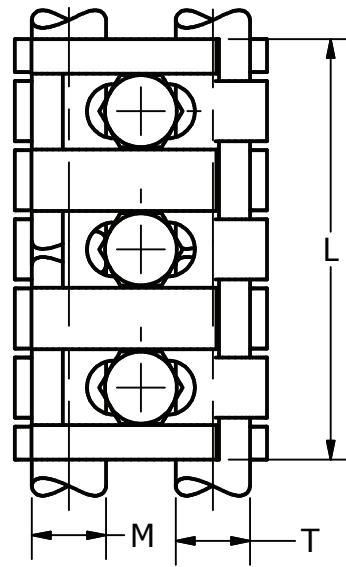
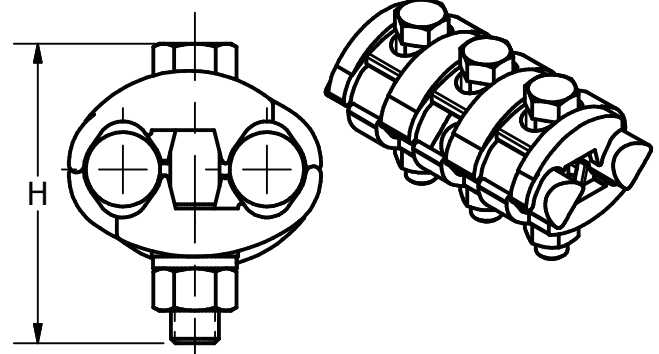
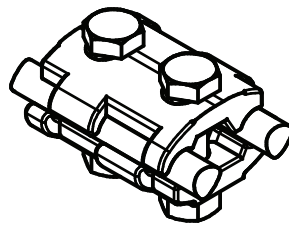
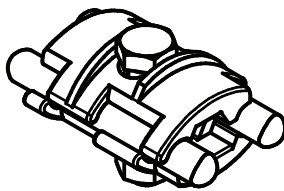


FIG. 3



CATALOG #	CONDUCTOR RENG	M	FIG.	T	H	L	BOLT
UD10-2	# 6 SOL-1/0 STR	.373	1	.162	1 3/4	2	3/8
UD13-2	# 6 SOL-2/0 STR	.419	2	.162	1 13/18	2	3/8
UD21-4	# 4 SOL-4/0 STR	.528	2	.204	1 15/16	2 1/4	3/8
UD21-4-3	# 4 SOL-4/0 STR	.528	3	.204	1 15/16	2 3/8	3/8
UD21-4-3-1/2	# 4 SOL-4/0 STR	.528	3	.204	2 3/8	4 3/8	1/2
UD21-4-1/2	# 4 SOL-4/0 STR	.528	2	.204	2 3/8	2 1/2	1/2
UD30-6	# 2 SOL-300 MCM	.630	2	.257	2 3/16	2 1/2	3/8
UD50-21	# 4/0 STR-500 MCM	.812	3	.528	2 3/16	4 3/8	1/2
UD80-30	300 STR-800 MCM	1.031	3	.630	3 5/16	4 1/2	1/2
UD100-50	500 STR-1000 MCM	1.152	3	.812	3 9/16	4 5/8	1/2

MATERIAL:
 CAST COPPER ALLOY
 BOLTS, NUTS AND LOCK WASHERS
 -SILICON BRONZE

HSN - HOT TIN DIPPED
GS - GALVANIZED STEEL HARD WARE
SN - TIN PLATED

LOCATION

CONTRACT NO

CUST / CONTR

REVISIONS

REV	DESCRIPTION	DATE	BY	APR
2	RE-DRAWN IN INVENTOR	3-18-10	LK	EP

DRN BY:
BH
 DRN DATE:
1=25-90
 CHK BY:
HJ
 CHK DATE:
1-25-90

CLAMP, UNIVERSAL PARALLEL

REV
2

UD-SERIES

1 OF 1

THIS DRAWING AND ALL INFORMATION ON IT IS THE PROPERTY OF AFL. IT IS CONFIDENTIAL AND IT IS GIVEN TO YOU FOR A LIMITED PURPOSE AND MUST BE RETURNED UPON REQUEST. NEITHER THIS DRAWING OR ANY PART OF IT NOR ANY INFORMATION CONCERNING IT MAY BE COPIED, EXHIBITED, OR FURNISHED TO OTHERS NOR PHOTOGRAPHS TAKEN OF ANY ARTICLE FABRICATED OR ASSEMBLED FROM THE DRAWING WITHOUT THE CONSENT OF AFL.