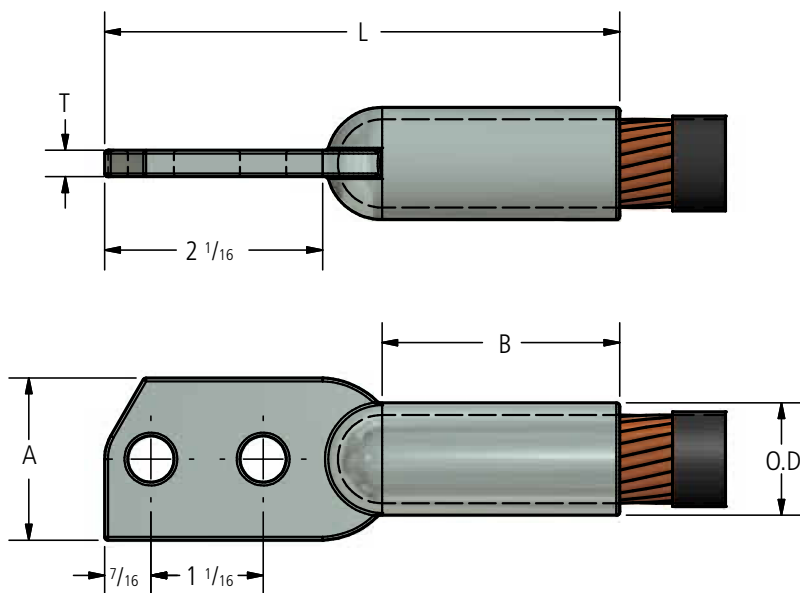


DOSSERT®

Type RL-2 Compression Terminal for Use with Type RLM-B Limiter Mounting Block

A compression terminal designed to fit terminal ends of type RLM-B limiter mounting block. Closed end of lug is sealed to permit interchangeable use with rubber insulated or oil filled paper insulated cables. To insure high resistance to corrosion terminal is completely tin coated.



Ordering Information

CATALOG NUMBER	CABLE SIZE	DIMENSIONS IN INCHES					NUMBER OF INDENTS	INDEX NUMBER
		A	B	O.D.	L	T		
RL2-2	6 STR	1	1 1/8	5/16	3 3/4	7/32	1	7
RL4-2	4 STR	1	1 1/8	11/32	3 3/4	7/32	1	8
RL6-2	2 STR	1	1 1/4	13/32	3 15/16	7/32	1	10
RL8-2	1 STR	1	1 3/8	15/32	4 1/16	7/32	1	11
RL10-2	1/0 STR	1	1 3/8	17/32	4 1/16	7/32	1	12
RL13-2	2/0 STR	13/16	1 1/2	9/16	3 13/16	1/8	1	13
RL17-2	3/0 STR	29/32	1 1/2	5/8	3 7/8	9/64	1	14
RL21-2	4/0 STR	1	1 5/8	11/16	4 1/16	9/64	1	15
RL25-2	250 MCM	1 1/8	1 5/8	3/4	4 1/8	5/32	1	16
RL30-2	300 MCM	1 3/16	2	13/16	4 1/2	5/32	2	17
RL35-2	350 MCM	1 9/32	2	7/8	4 9/16	11/64	2	18
RL40-2	400 MCM	1 3/8	2 1/8	31/32	4 3/4	3/16	2	19
RL50-2	500 MCM	1 17/32	2 1/4	1 1/16	4 7/8	7/32	2	20