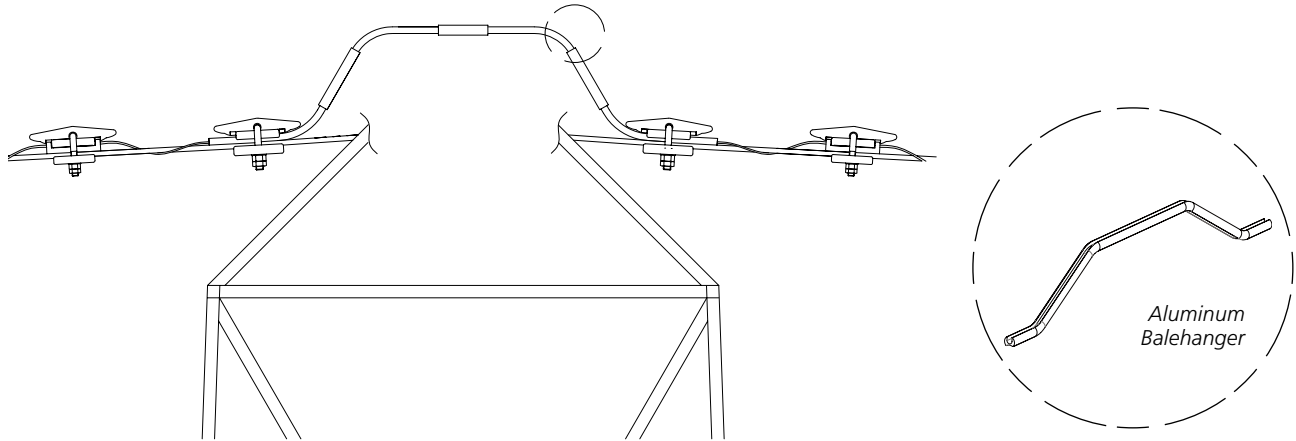


### SkyWrap® In-line Bypass—Ground Wire

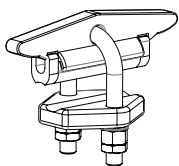


SkyWrap cable is passed around the tower top using a specially designed bypass accessory known as a 'balehanger'. The aluminum balehanger is clamped to the ground wire either side of the tower and the SkyWrap cable is secured within the balehanger fitting.

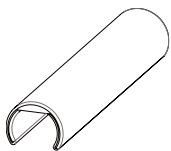
#### Features

- Shaped aluminum provides secure passage of the SkyWrap cable around the tower top
- Balehangers can be applied to any ground wire tower top fitting arrangement and design
- Meets IEEE standard 1591.3-2011

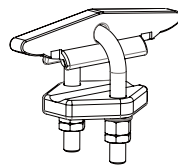
#### Key components



Cable clamp with nylon insert



Cable balehanger cover



Cable clamp

#### Ordering Information

	STRUCTURE TYPE	CONDUCTOR SIZE INCHES (MM)		
	Any In-line structure	0.354-0.866 (9-22)	0.787-1.221 (20-31)	1.181-1.693 (30-43)
TCD	909	A	B	C

Example: TCD-909B