

Installation Instructions

Spacer Dampers, Bolted Type

1. Check assembly to make sure all bushings are seated and that all bolts and washers are in position.
2. Loosen all 5/8"-11 spacer clamp break-away bolts to permit the clamp caps (Figure 1) to be rotated so that they will clear the conductor during installation.
3. Position the spacer damper on the two upper conductors. The top two clamp arms will rest on the conductors.
4. Rotate the two top caps so that they center on the conductor. Finger tighten each break-away bolt by first placing the hand over each clamp so that the edges of the clamp mouth close evenly and then finger tighten the bolt in each clamp.
5. Repeat step 4 for the bottom cap.

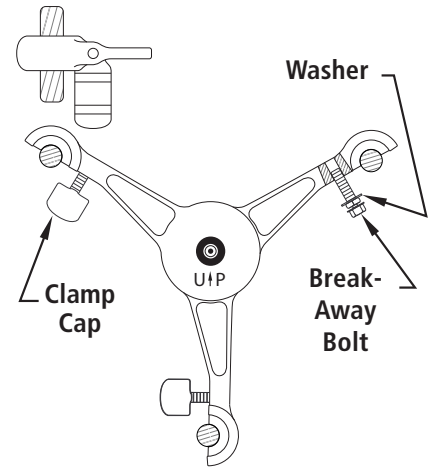


Figure 1

6. Position the spacer damper assembly perpendicular to the conductor centerline within tolerances shown in Figure 2.
7. Secure the spacer damper clamps to the conductor by tightening the 5/8" break-away bolt with a 15/16" hex socket wrench. Tighten each bolt until the upper bolt head shears off. (Note: A washer head on the break-away bolt will position the socket wrench on the bolt head and prevent wrench engagement with the lower bolt head during tightening.)
8. Make a final inspection checking for clamp fit and alignment and to see that all break-away bolts have the upper heads sheared off.

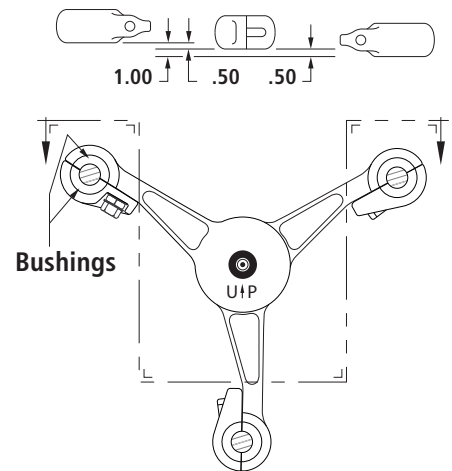


Figure 2