

TYPE SWX-AA, SWXR-AA Swage Bus Cross

A Swage type cross to tap two bus ends to a bus run.

Material

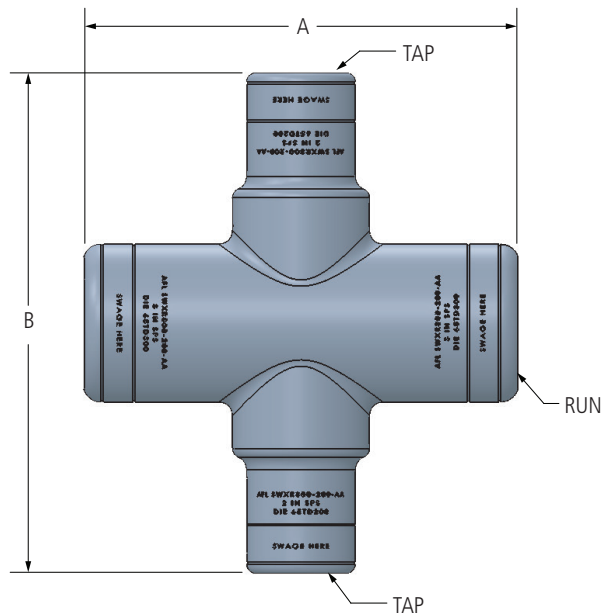
Aluminum Alloy

Notes

- Bore will be lined with AFL Filler compound (AFC) and capped.



CROSS



Ordering Information

AFL NO.	S.P.S.		DIMENSIONS IN INCHES		DIE SIZE		VOLTAGE RATING (kV)
	RUN	TAP	A	B	RUN	TAP	
SWX100-AA	1	1	10.00	8.47	65TD100	65TD100	230
SWX150-AA	1.5	1.5	10.00	8.58	65TD150	65TD150	230
SWX200-AA	2	2	10.00	11.76	65TD200	65TD200	230
SWX250-AA	2.5	2.5	10.00	10.34	65TD250	65TD250	500
SWX300-AA	3	3	12.00	12.04	65TD300	65TD300	500
SWX350-AA	3.5	3.5	12.00	11.91	65TD350	65TD350	500
SWX400-AA	4	4	12.00	12.07	65TD400	65TD400	500
SWXR200-100-AA	2	1	10.00	9.67	65TD200	65TD100	230
SWXR200-150-AA	2	1.5	10.00	9.29	65TD200	65TD150	230
SWXR250-150-AA	2.5	1.5	10.00	10.21	65TD250	65TD150	230
SWXR300-200-AA	3	2	12.00	12.64	65TD300	65TD200	500
SWXR300-250-AA	3	2.5	12.00	12.25	65TD300	65TD250	500
SWXR400-300-AA	4	3	12.00	12.19	65TD400	65TD300	500
SWXR400-350-AA	4	3.5	12.00	12.71	65TD400	65TD350	500