

TYPE SWXS-AA, SWXRS-AA Swage Split Bus Cross

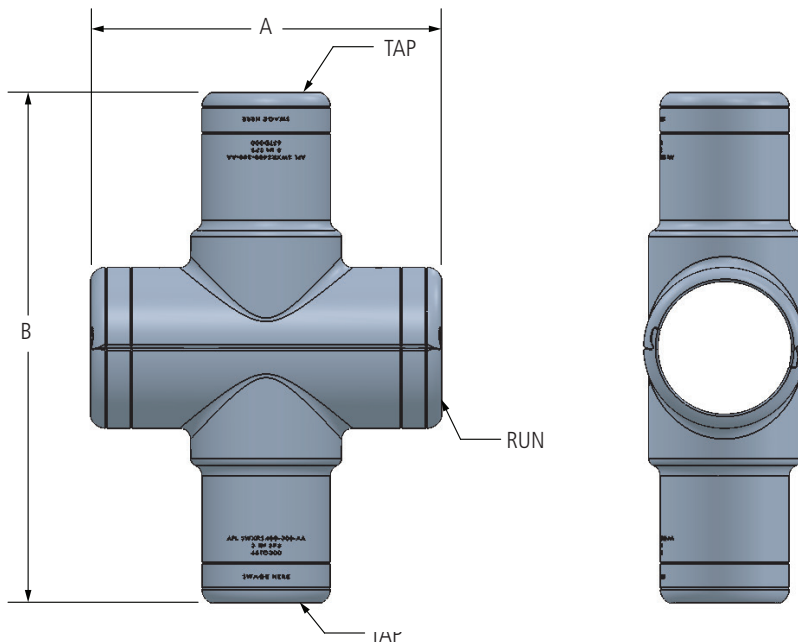
A Swage type cross to tap two bus ends to a split bus run.

Material

Aluminum Alloy

Notes

- Bore will be lined with AFL Filler compound (AFC) and capped.



Ordering Information

AFL NO.	S.P.S.		DIMENSIONS IN INCHES		DIE SIZE		VOLTAGE RATING (kV)
	RUN	TAP	A	B	RUN	TAP	
SWXS100-AA	1	1	8.50	8.47	65TD100	65TD100	230
SWXS150-AA	1.5	1.5	8.50	8.58	65TD150	65TD150	230
SWXS200-AA	2	2	10.00	11.76	65TD200	65TD200	230
SWXS250-AA	2.5	2.5	10.00	10.34	65TD250	65TD250	500
SWXS300-AA	3	3	12.00	12.04	65TD300	65TD300	500
SWXS350-AA	3.5	3.5	12.00	11.91	65TD350	65TD350	500
SWXS400-AA	4	4	12.00	12.07	65TD400	65TD400	500
SWXRS200-100-AA	2	1	8.50	9.67	65TD200	65TD100	230
SWXRS200-150-AA	2	1.5	8.50	9.29	65TD200	65TD150	230
SWXRS250-150-AA	2.5	1.5	8.50	10.21	65TD250	65TD150	230
SWXRS300-200-AA	3	2	10.00	12.64	65TD300	65TD200	500
SWXRS300-250-AA	3	2.5	10.00	12.25	65TD300	65TD250	500
SWXRS400-300-AA	4	3	12.00	12.19	65TD400	65TD300	500
SWXRS400-350-AA	4	3.5	12.00	12.71	65TD400	65TD350	500