

TYPE SWEC-AA

Swage Bus External End Cap

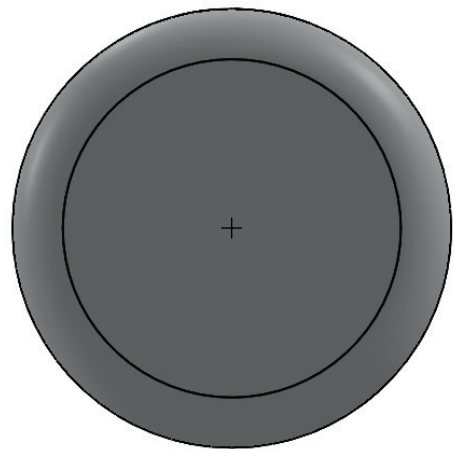
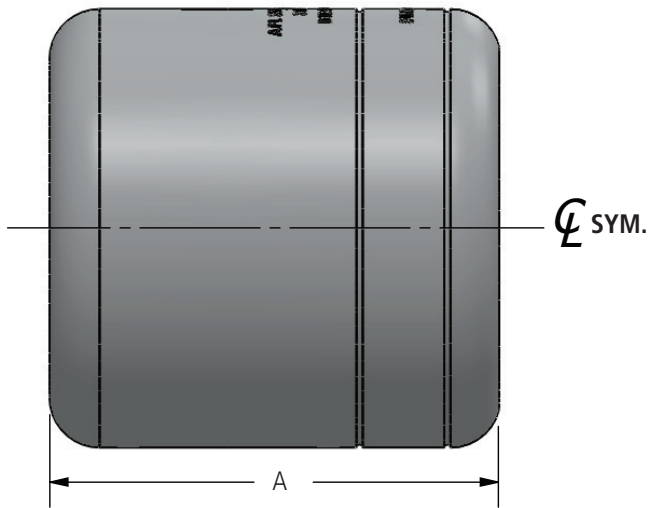
A Swage type bus external end cap.

Material

Aluminum Alloy

Notes

- Bore will be lined with AFL Filler compound (AFC) and capped.
- 5" and 6" SPS parts require double swages.



Ordering Information

AFL NO.	S.P.S.	DIMENSIONS IN INCHES		DIE SIZE
		A		
SWEC100-AA	1	2.70		65TD100
SWEC150-AA	1.5	2.88		65TD150
SWEC200-AA	2	3.38		65TD200
SWEC250-AA	2.5	3.75		65TD250
SWEC300-AA	3	4.50		65TD300
SWEC350-AA	3.5	4.63		65TD350
SWEC400-AA	4	4.88		65TD400
SWEC500-AA	5	7.47		85TD500
SWEC600-AA	6	10.35		115TD600