

## TYPE SWECHV-AA Swage Bus Rounded External End Cap

A Swage type high voltage external end cap for bus.

### Material

Aluminum Alloy

### Notes

- Bore will be lined with AFL Filler compound (AFC) and capped.
- 5" and 6" S.P.S. parts require double swages.

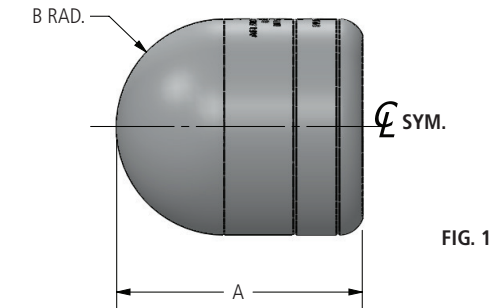


FIG. 1

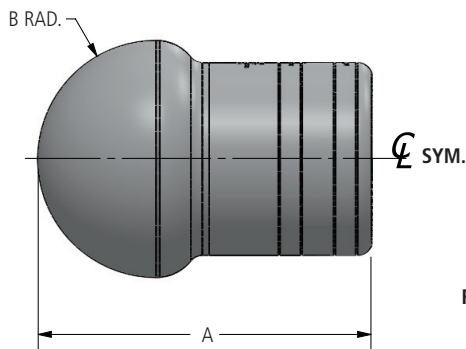


FIG. 2

### Ordering Information

AFL NO.	S.P.S.	FIG. NO.	DIMENSIONS IN INCHES		DIE SIZE	VOLTAGE RATING (kV)
			A	B		
SWECHV100-AA	1	1	3.25	1.00	65TD100	230
SWECHV150-AA	1.5	1	3.50	1.25	65TD150	230
SWECHV200-AA	2	1	4.00	1.50	65TD200	230
SWECHV250-AA	2.5	1	4.50	1.88	65TD250	230
SWECHV300-AA	3	1	5.00	2.19	65TD300	230
SWECHV350-AA	3.5	1	5.50	2.50	65TD350	230
SWECHV400-AA	4	1	5.75	2.75	65TD400	230
SWECHV500-AA	5	2	11.30	4.00	85TD500	230
SWECHV600-AA	6	1	12.12	4.00	115TD600	230