

### TYPE SWEC-AA

#### Swage Bus External End Cap

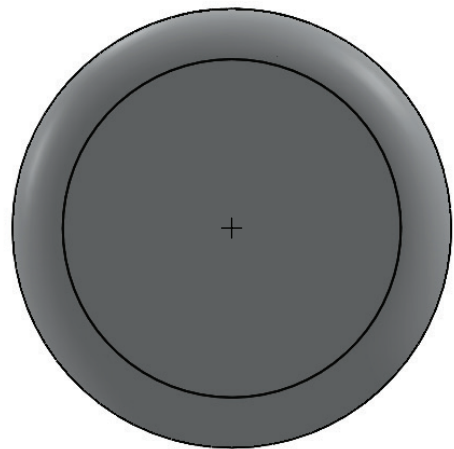
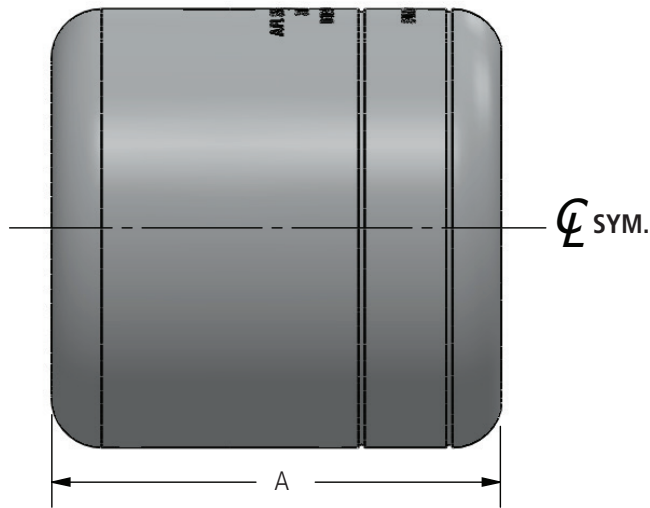
A Swage type bus external end cap.

#### Material

Aluminum Alloy

#### Notes

- Bore will be lined with AFL Filler compound (AFC) and capped.
- 5" and 6" SPS parts require double swages.



#### Ordering Information

AFL NO.	S.P.S.	DIMENSIONS IN INCHES		DIE SIZE
		A		
SWEC100-AA	1	2.70		65TD100
SWEC150-AA	1.5	2.88		65TD150
SWEC200-AA	2	3.38		65TD200
SWEC250-AA	2.5	3.75		65TD250
SWEC300-AA	3	4.50		65TD300
SWEC350-AA	3.5	4.63		65TD350
SWEC400-AA	4	4.88		65TD400
SWEC500-AA	5	7.47		85TD500
SWEC600-AA	6	10.35		115TD600

## TYPE SWECHV-AA Swage Bus Rounded External End Cap

A Swage type high voltage external end cap for bus.

### Material

Aluminum Alloy

### Notes

- Bore will be lined with AFL Filler compound (AFC) and capped.
- 5" and 6" S.P.S. parts require double swages.

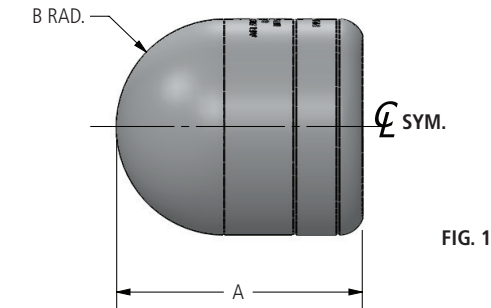


FIG. 1

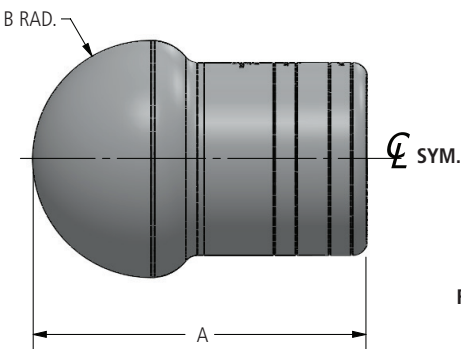


FIG. 2

### Ordering Information

AFL NO.	S.P.S.	FIG. NO.	DIMENSIONS IN INCHES		DIE SIZE	VOLTAGE RATING (kV)
			A	B		
SWECHV100-AA	1	1	3.25	1.00	65TD100	230
SWECHV150-AA	1.5	1	3.50	1.25	65TD150	230
SWECHV200-AA	2	1	4.00	1.50	65TD200	230
SWECHV250-AA	2.5	1	4.50	1.88	65TD250	230
SWECHV300-AA	3	1	5.00	2.19	65TD300	230
SWECHV350-AA	3.5	1	5.50	2.50	65TD350	230
SWECHV400-AA	4	1	5.75	2.75	65TD400	230
SWECHV500-AA	5	2	11.30	4.00	85TD500	230
SWECHV600-AA	6	1	12.12	4.00	115TD600	230

## TYPE SWECI-AA Swage Bus End Bushing

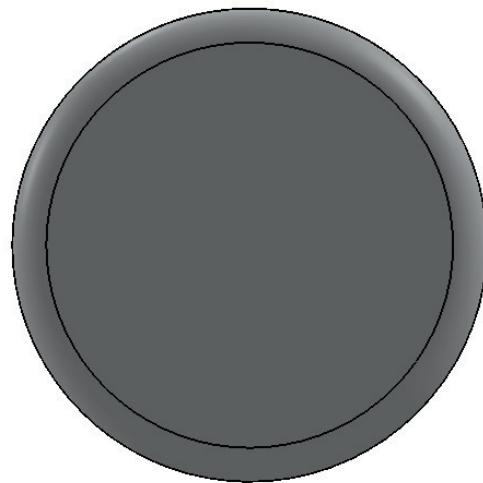
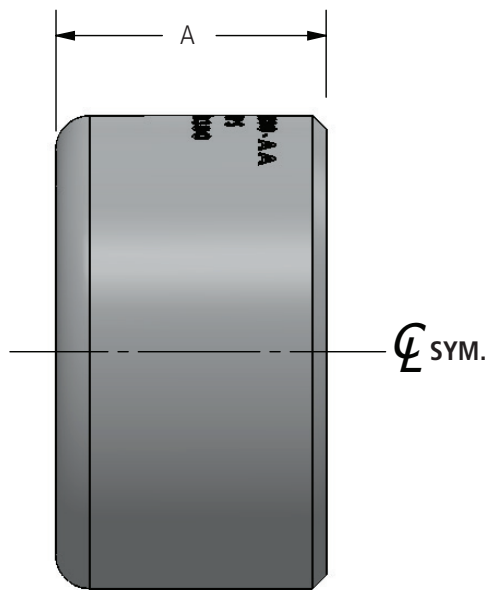
A Swage type bus end bushing to be installed in the field.

### Material

Aluminum Alloy

### Notes

- Bore will be lined with AFL Filler compound (AFC) and capped.



### Ordering Information

AFL NO.	S.P.S.	DIMENSIONS IN INCHES	DIE SIZE
		A	
SWECI100-AA	1	2.00	65TD100
SWECI150-AA	1.5	2.00	65TD150
SWECI200-AA	2	2.00	65TD200
SWECI250-AA	2.5	2.00	65TD250
SWECI300-AA	3	2.00	65TD300
SWECI350-AA	3.5	2.00	65TD350
SWECI400-AA	4	2.00	65TD400
SWECI500-AA	5	4.75	85TD500
SWECI600-AA	6	4.75	115TD600

## TYPE CXSWHV-AA Swage EHV End Cap—Ball

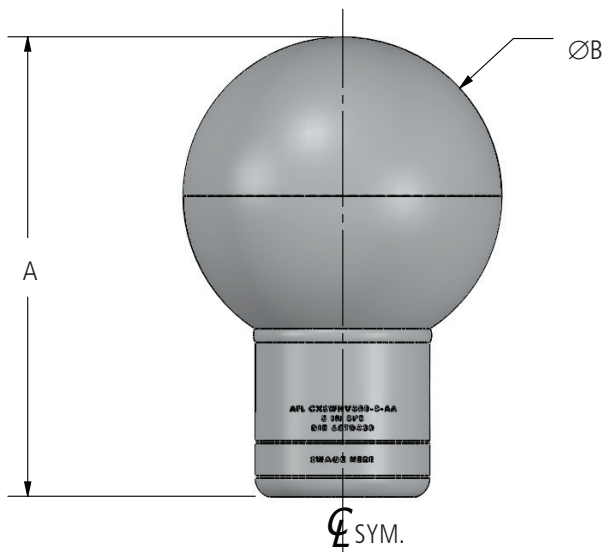
A Swage type end cap ball for high voltage.

### Material

Aluminum Alloy

### Notes

- Bore will be lined with AFL Filler compound (AFC) and capped.
- 5" and 6" S.P.S. parts require double swages.



### Ordering Information

AFL NO.	S.P.S.	DIMENSIONS IN INCHES		DIE SIZE	VOLTAGE (KV)
		A	B		
CXSWHV300-8-AA	3	11.58	8.00	65TD300	345
CXSWHV300-13-AA	3	16.75	13.00	65TD300	500
CXSWHV350-8-AA	3.5	11.94	8.00	65TD350	345
CXSWHV350-13-AA	3.5	17.17	13.00	65TD350	500
CXSWHV400-8-AA	4	11.78	8.00	65TD400	345
CXSWHV400-13-AA	4	17.09	13.00	65TD400	500
CXSWHV500-8-AA	5	12.28	8.00	85TD500	345
CXSWHV500-13-AA	5	17.84	13.00	85TD500	500
CXSWHV600-8-AA	6	14.75	8.00	115TD600	345
CXSWHV600-13-AA	6	20.68	13.00	115TD600	500