

TYPE SXWWC-AA Swage Bus Expansion Coupler

A Swage type bus expansion coupler.

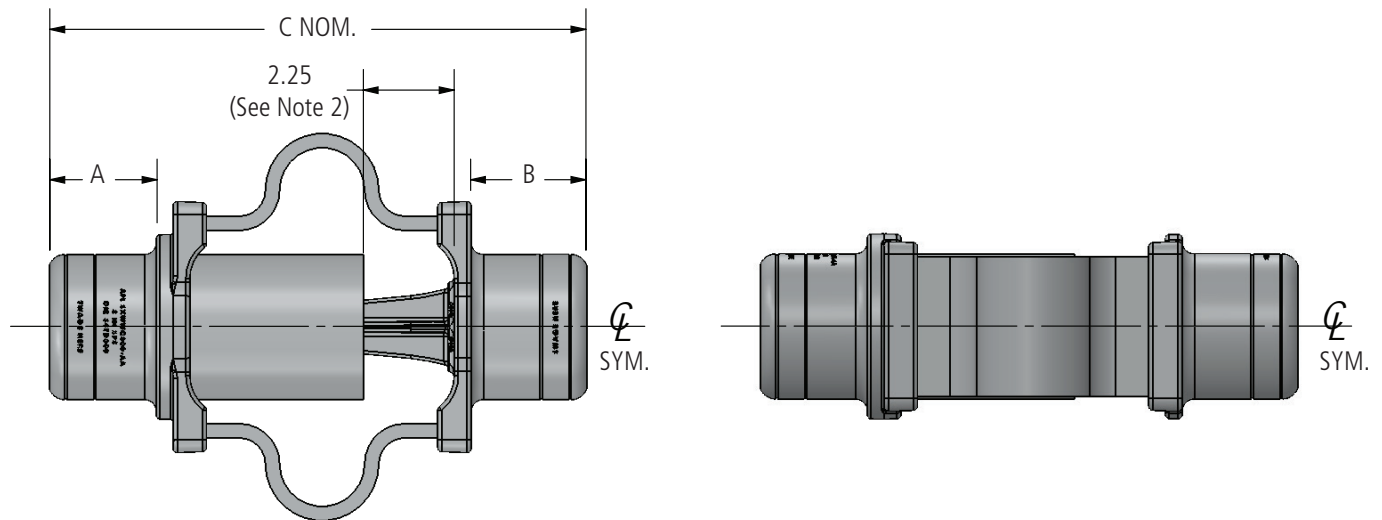
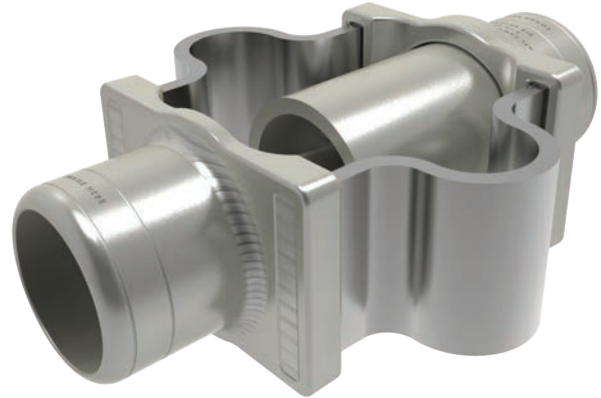
Material

Aluminum Alloy

Notes

- Bore will be lined with AFL Filler compound (AFC) and capped.
- See General Information Section for this dimension.
- 5" and 6" SPS parts require double swages.

f—Machine Finish



Ordering Information

AFL NO.	S.P.S.	DIMENSIONS IN INCHES			DIE SIZE
		A	B	C	
SXWWC200-AA	2	3.25	3.50	16.69	65TD200
SXWWC250-AA	2.5	3.25	3.50	16.69	65TD250
SXWWC300-AA	3	3.25	3.50	16.75	65TD300
SXWWC350-AA	3.5	3.25	3.50	16.75	65TD350
SXWWC400-AA	4	3.25	3.50	16.88	65TD400
SXWWC500-AA	5	5.00	5.50	20.94	85TD500
SXWWC600-AA	6	7.25	8.63	26.06	115TD600