

### TYPE SWXBC-AA

#### Swage Bus-to-Bus Expansion Support

A Swage type bus-to-bus expansion support.

#### Material

Aluminum Alloy

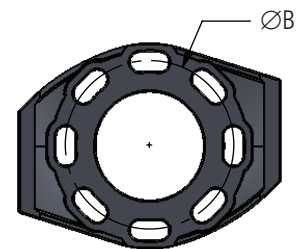
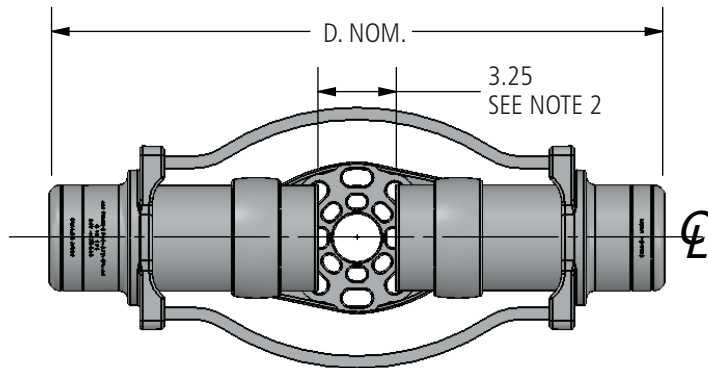
#### Mounting Hardware

Galvanized steel bolts and lockwashers

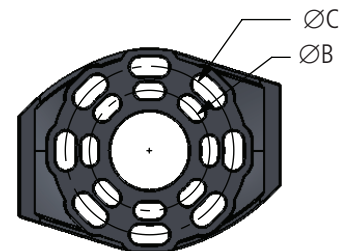
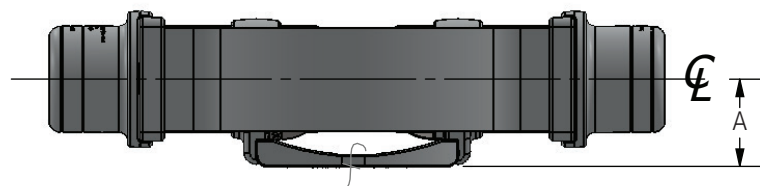
#### Notes

- Bore will be lined with AFL Filler compound (AFC) and capped.
- See General Information Section for this dimension.
- 5" and 6" SPS parts require double swages.

*f*—Machine Finish



Detail 1



Detail 2

continued

### TYPE SWXBC-AA

#### Swage Bus-to-Bus Expansion Support

#### Ordering Information

AFL NO.	S.P.S.	DETAIL	DIMENSIONS IN INCHES				DIE SIZE
			A	B	C	D	
SWXBC200-3-CH-AA	2	1	2.77	3.00	—	22.63	65TD200
SWXBC200-3/5-CH-AA	2	2	2.77	3.00	5.00	22.63	65TD200
SWXBC200-5-CH-AA	2	1	2.77	5.00	—	22.63	65TD200
SWXBC200-5/7-CH-AA	2	2	2.77	5.00	7.00	26.63	65TD200
SWXBC200-7-CH-AA	2	1	2.77	7.00	—	26.63	65TD200
SWXBC250-3-CH-AA	2.5	1	3.17	3.00	—	22.63	65TD250
SWXBC250-3/5-CH-AA	2.5	2	3.17	3.00	5.00	22.63	65TD250
SWXBC250-5-CH-AA	2.5	1	3.17	5.00	—	22.63	65TD250
SWXBC250-5/7-CH-AA	2.5	2	3.17	5.00	7.00	27.63	65TD250
SWXBC250-7-CH-AA	2.5	1	3.17	7.00	—	27.63	65TD250
SWXBC300-3-CH-AA	3	1	3.64	3.00	—	22.63	65TD300
SWXBC300-3/5-CH-AA	3	2	3.64	3.00	5.00	25.63	65TD300
SWXBC300-5-CH-AA	3	1	3.64	5.00	—	25.63	65TD300
SWXBC300-5/7-CH-AA	3	2	3.64	5.00	7.00	27.63	65TD300
SWXBC300-7-CH-AA	3	1	3.64	7.00	—	27.63	65TD300
SWXBC350-3-CH-AA	3.5	1	4.02	3.00	—	22.63	65TD350
SWXBC350-3/5-CH-AA	3.5	2	4.02	3.00	5.00	25.63	65TD350
SWXBC350-5-CH-AA	3.5	1	4.02	5.00	—	25.63	65TD350
SWXBC350-5/7-CH-AA	3.5	2	4.02	5.00	7.00	27.63	65TD350
SWXBC350-7-CH-AA	3.5	1	4.02	7.00	—	27.63	65TD350
SWXBC400-3-CH-AA	4	1	4.52	3.00	—	22.63	65TD400
SWXBC400-3/5-CH-AA	4	2	4.52	3.00	5.00	25.63	65TD400
SWXBC400-5-CH-AA	4	1	4.52	5.00	—	25.63	65TD400
SWXBC400-5/7-CH-AA	4	2	4.52	5.00	7.00	27.63	65TD400
SWXBC400-7-CH-AA	4	1	4.52	7.00	—	27.63	65TD400
SWXBC500-3/5-CH-AA	5	2	5	3.00	5.00	27.63	85TD500
SWXBC500-5-CH-AA	5	1	5	5.00	—	27.63	85TD500
SWXBC500-5/7-CH-AA	5	2	5	5.00	7.00	29.63	85TD500
SWXBC500-7-CH-AA	5	1	5	7.00	—	29.63	85TD500
SWXBC600-3/5-CH-AA	6	2	5.5	3.00	5.00	31.63	115TD600
SWXBC600-5-CH-AA	6	1	5.5	5.00	—	31.63	115TD600
SWXBC600-5/7-CH-AA	6	2	5.5	5.00	7.00	33.63	115TD600
SWXBC600-7-CH-AA	6	1	5.5	7.00	—	33.63	115TD600