

TYPE SWXL-90-AA

Swage Expansion Bus Terminal

A Swage type 90 degree expansion bus terminal.

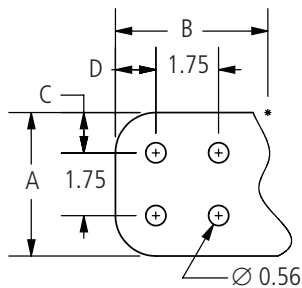
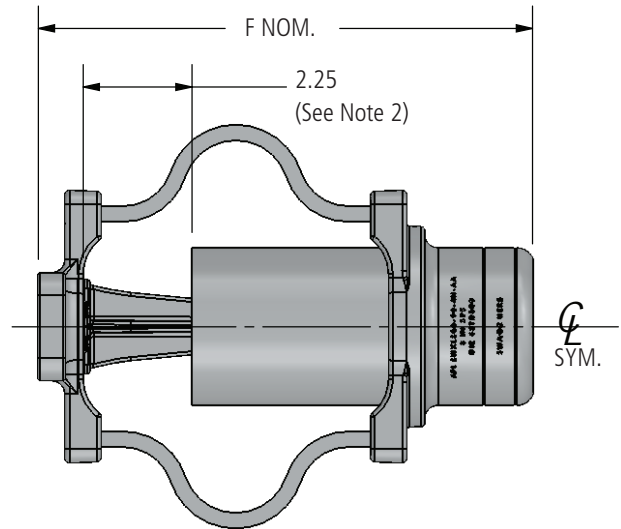
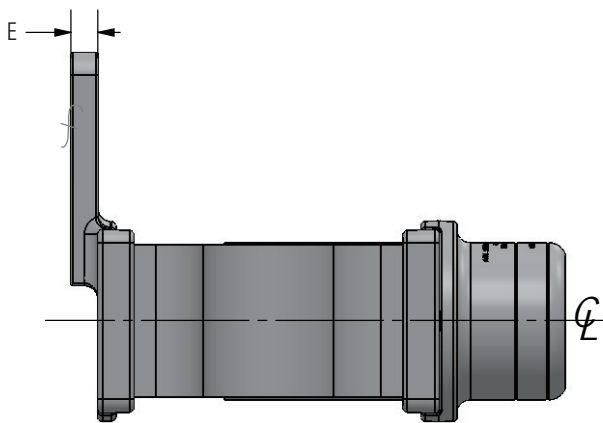
Material

Aluminum Alloy

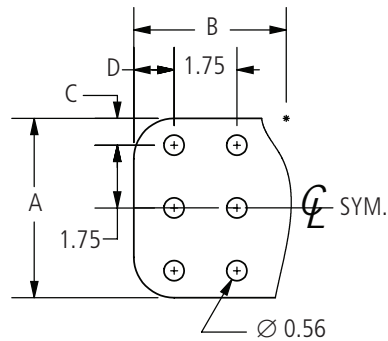
Notes

- Bore will be lined with AFL Filler compound (AFC) and capped.
- See General Information Section for this dimension.
- 5" and 6" SPS parts require double swages.

f—Machine Finish



Detail 1



Detail 2

continued
→

TYPE SWXL-90-AA

Swage Expansion Bus Terminal

Ordering Information

AFL NO.	S.P.S.	PAD DETAIL	DIMENSIONS IN INCHES						DIE SIZE
			A	B	C	D	E	F	
SWXL200-4N-90-AA	2	1	3.00	3.50	0.63	0.63	0.50	12.69	65TD200
SWXL200-4N4-90-AA	2	1	4.00	4.50	1.13	1.13	0.50	12.69	65TD200
SWXL250-4N-90-AA	2.5	1	3.00	3.50	0.63	0.63	0.63	12.81	65TD250
SWXL250-4N4-90-AA	2.5	1	4.00	4.50	1.13	1.13	0.63	12.81	65TD250
SWXL300-4N-90-AA	3	1	3.00	3.50	0.63	0.63	0.75	13.00	65TD300
SWXL300-4N4-90-AA	3	1	4.00	4.50	1.13	1.13	0.75	13.00	65TD300
SWXL300-5N4-90-AA	3	2	5.00	4.50	0.75	1.13	0.75	13.00	65TD300
SWXL350-4N-90-AA	3.5	1	3.00	3.50	0.63	0.63	0.75	13.00	65TD350
SWXL350-4N4-90-AA	3.5	1	4.00	4.50	1.13	1.13	0.75	13.00	65TD350
SWXL350-5N4-90-AA	3.5	2	5.00	4.50	0.75	1.13	0.75	13.00	65TD350
SWXL350-6N4-90-AA	3.5	2	6.00	4.50	1.25	1.13	0.75	13.00	65TD350
SWXL400-4N-90-AA	4	1	3.00	3.50	0.63	0.63	0.75	13.13	65TD400
SWXL400-4N4-90-AA	4	1	4.00	4.50	1.13	1.13	0.75	13.13	65TD400
SWXL400-5N4-90-AA	4	2	5.00	4.50	0.75	1.13	0.75	13.13	65TD400
SWXL400-6N4-90-AA	4	2	6.00	4.50	1.25	1.13	0.75	13.13	65TD400
SWXL500-4N4-90-AA	5	1	4.00	4.50	1.13	1.13	1.00	15.94	85TD500
SWXL500-5N4-90-AA	5	2	5.00	4.50	0.75	1.13	1.00	15.94	85TD500
SWXL500-6N4-90-AA	5	2	6.00	4.50	1.25	1.13	1.00	15.94	85TD500
SWXL600-4N4-90-AA	6	1	4.00	4.50	1.13	1.13	1.00	18.19	115TD600
SWXL600-5N4-90-AA	6	2	5.00	4.50	0.75	1.13	1.00	18.19	115TD600
SWXL600-6N4-90-AA	6	2	6.00	4.50	1.25	1.13	1.00	18.19	115TD600