

## TYPE SWXL-90V-V-AA Swage Expansion Bus Terminal—High Voltage

A Swage type expansion bus terminal with a 90-degree rotated NEMA pad for high voltage.

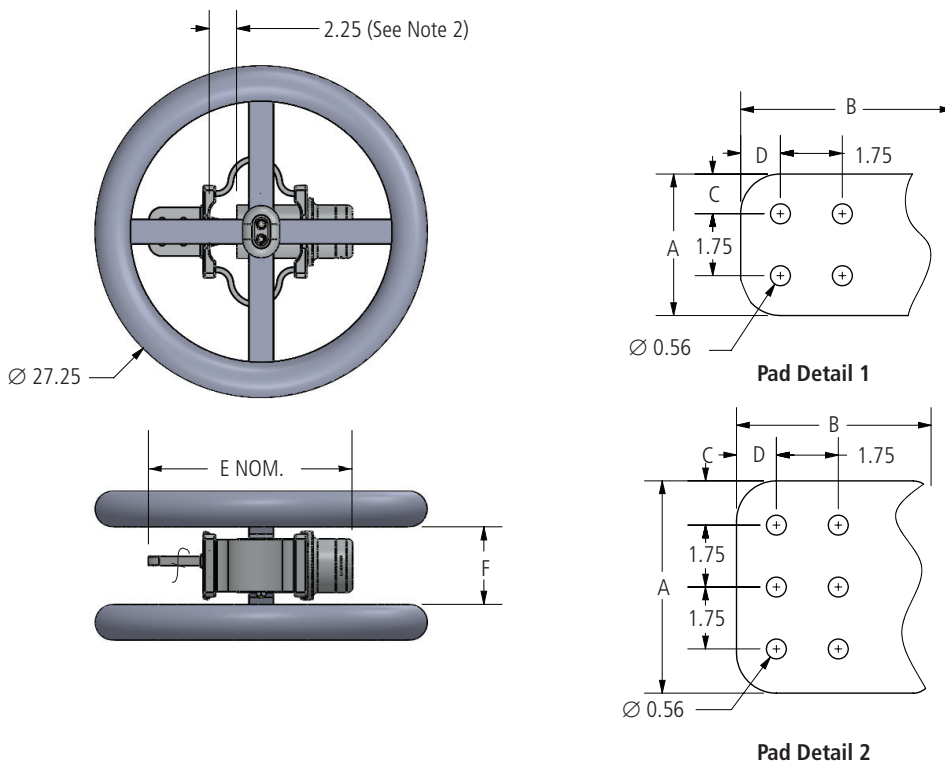
### Material

Aluminum Alloy

### Notes

- Bore will be lined with AFL Filler compound (AFC) and capped.
- See General Information Section for this dimension.
- 5" and 6" S.P.S. parts require double swages

*f*—Machine Finish



### Ordering Information

AFL NO.	S.P.S.	PAD DETAIL	DIMENSIONS IN INCHES						DIE SIZE
			A	B	C	D	E	F	
SWXL300-4N-90V-V-AA	3	1	3.00	3.25	0.63	0.63	15.75	6.38	65TD300
SWXL300-4N4-90V-V-AA	3	1	4.00	4.25	1.13	1.13	16.75	6.38	65TD300
SWXL350-4N-90V-V-AA	3.5	1	3.00	3.25	0.63	0.63	15.75	6.38	65TD350
SWXL350-4N4-90V-V-AA	3.5	1	4.00	4.25	1.13	1.13	16.75	6.38	65TD350
SWXL400-4N-90V-V-AA	4	1	3.00	3.25	0.63	0.63	15.88	7.38	65TD400
SWXL400-4N4-90V-V-AA	4	1	4.00	4.25	1.13	1.13	16.88	7.38	65TD400
SWXL500-4N4-90V-V-AA	5	1	4.00	4.25	1.13	1.13	19.31	7.88	85TD500
SWXL500-6N4-90V-V-AA	5	2	6.00	4.25	1.25	1.13	19.31	7.88	85TD500
SWXL600-4N4-90V-V-AA	6	1	4.00	4.25	1.13	1.13	21.83	9.38	115TD600
SWXL600-6N4-90V-V-AA	6	2	6.00	4.25	1.25	1.13	21.83	9.38	115TD600