

### TYPE SWXLO-AA, SWXLO-90V-AA

#### Swage Offset Expansion Bus Terminal

A Swage type offset expansion bus terminal. This is also available with an offset 90 degree vertical pad configuration.

#### Material

Aluminum Alloy

#### Notes

- Bore will be lined with AFL Filler compound (AFC) and capped.
- See General Information Section for this dimension.
- 5" and 6" SPS parts require double swages.

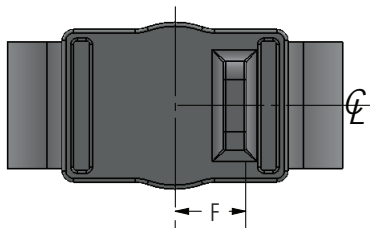
*f*—Machine Finish



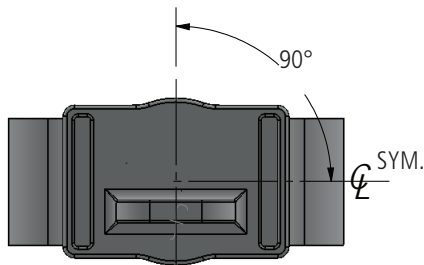
SWXLO-90V-AA



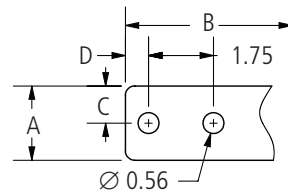
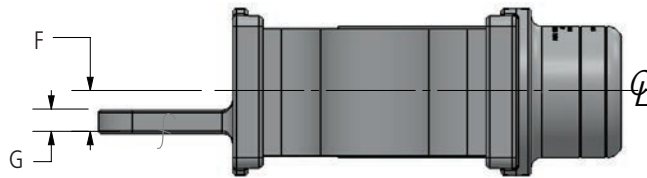
SWXLO-AA



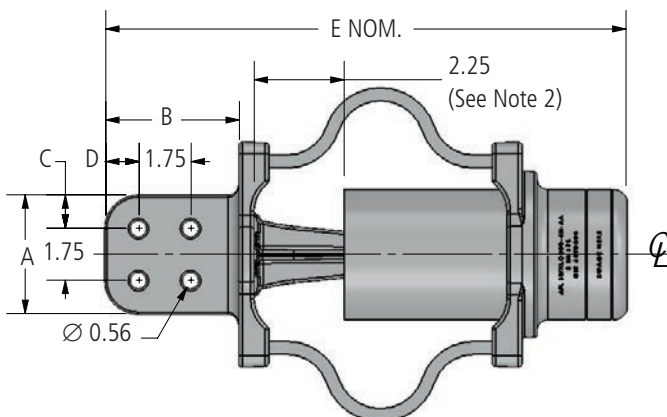
SWXLO-AA



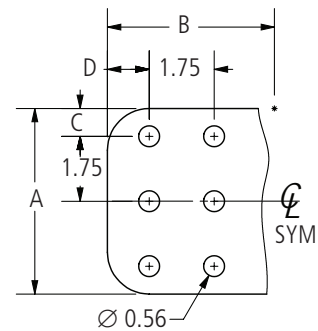
SWXLO-90V-AA



DETAIL 1



DETAIL 2



DETAIL 3

continued  
→

### TYPE SWXLO-AA, SWXLO-90V-AA

#### Swage Offset Expansion Bus Terminal

#### Ordering Information

AFL NO.	S.P.S.	PAD DETAIL	DIMENSIONS IN INCHES							DIE SIZE
			A	B	C	D	E	F	G	
SWXLO200-2N-AA	2	1	2.00	4.50	1.00	0.63	16.69	1.75	0.75	65TD200
SWXLO200-4N-AA	2	2	3.00	4.50	0.63	0.63	16.69	1.75	0.75	65TD200
SWXLO200-4N4-AA	2	2	4.00	5.50	1.13	1.13	17.69	1.75	0.75	65TD200
SWXLO250-2N-AA	2.5	1	2.00	4.50	1.00	0.63	16.69	2.00	0.75	65TD250
SWXLO250-4N-AA	2.5	2	3.00	4.50	0.63	0.63	16.69	2.00	0.75	65TD250
SWXLO250-4N4-AA	2.5	2	4.00	5.50	1.13	1.13	17.69	2.00	0.75	65TD250
SWXLO250-5N4-AA	2.5	3	5.00	5.50	0.75	1.13	17.69	2.00	0.75	65TD250
SWXLO300-2N-AA	3	1	2.00	4.50	1.00	0.63	16.75	2.38	0.75	65TD300
SWXLO300-4N-AA	3	2	3.00	4.50	0.63	0.63	16.75	2.38	0.75	65TD300
SWXLO300-4N4-AA	3	2	4.00	5.50	1.13	1.13	17.75	2.38	0.75	65TD300
SWXLO300-5N4-AA	3	3	5.00	5.50	0.75	1.13	17.75	2.38	0.75	65TD300
SWXLO350-2N-AA	3.5	1	2.00	4.50	1.25	0.63	16.75	2.63	0.75	65TD350
SWXLO350-4N-AA	3.5	2	3.00	4.50	0.63	0.63	16.75	2.63	0.75	65TD350
SWXLO350-4N4-AA	3.5	2	4.00	5.50	1.13	1.13	17.75	2.63	0.75	65TD350
SWXLO350-5N4-AA	3.5	3	5.00	5.50	0.75	1.13	17.75	2.63	0.75	65TD350
SWXLO350-6N4-AA	3.5	3	6.00	5.50	1.25	1.13	17.75	2.63	0.75	65TD350
SWXLO400-4N-AA	4	2	3.00	4.50	0.63	0.63	16.88	2.88	0.75	65TD400
SWXLO400-4N4-AA	4	2	4.00	5.50	1.13	1.13	17.88	2.88	0.75	65TD400
SWXLO400-5N4-AA	4	3	5.00	5.50	0.75	1.13	17.88	2.88	0.75	65TD400
SWXLO400-6N4-AA	4	3	6.00	5.50	1.25	1.13	17.88	2.88	0.75	65TD400
SWXLO500-4N4-AA	5	2	4.00	5.50	1.13	1.13	20.94	3.38	1.00	85TD500
SWXLO500-5N4-AA	5	3	5.00	5.50	0.75	1.13	20.94	3.38	1.00	85TD500
SWXLO500-6N4-AA	5	3	6.00	5.50	1.25	1.13	20.94	3.38	1.00	85TD500
SWXLO600-4N4-AA	6	2	4.00	5.50	1.13	1.13	22.94	4.00	1.00	115TD600
SWXLO600-5N4-AA	6	3	5.00	5.50	0.75	1.13	22.94	4.00	1.00	115TD600
SWXLO600-6N4-AA	6	3	6.00	5.50	1.25	1.13	22.94	4.00	1.00	115TD600
SWXLO200-2N-90V-AA	2	1	2.00	4.50	1.00	0.63	16.69	1.75	0.75	65TD200
SWXLO200-4N-90V-AA	2	2	3.00	4.50	0.63	0.63	16.69	1.75	0.75	65TD200
SWXLO200-4N4-90V-AA	2	2	4.00	5.50	1.13	1.13	17.69	1.75	0.75	65TD200
SWXLO250-2N-90V-AA	2.5	1	2.00	4.50	1.00	0.63	16.69	2.00	0.75	65TD250
SWXLO250-4N-90V-AA	2.5	2	3.00	4.50	0.63	0.63	16.69	2.00	0.75	65TD250
SWXLO250-4N4-90V-AA	2.5	2	4.00	5.50	1.13	1.13	17.69	2.00	0.75	65TD250
SWXLO250-5N4-90V-AA	2.5	3	5.00	5.50	0.75	1.13	17.69	2.00	0.75	65TD250
SWXLO300-2N-90V-AA	3	1	2.00	4.50	1.00	0.63	16.75	2.38	0.75	65TD300
SWXLO300-4N-90V-AA	3	2	3.00	4.50	0.63	0.63	16.75	2.38	0.75	65TD300
SWXLO300-4N4-90V-AA	3	2	4.00	5.50	1.13	1.13	17.75	2.38	0.75	65TD300
SWXLO300-5N4-90V-AA	3	3	5.00	5.50	0.75	1.13	17.75	2.38	0.75	65TD300
SWXLO350-2N-90V-AA	3.5	1	2.00	4.50	1.25	0.63	16.75	2.63	0.75	65TD350
SWXLO350-4N-90V-AA	3.5	2	3.00	4.50	0.63	0.63	16.75	2.63	0.75	65TD350
SWXLO350-4N4-90V-AA	3.5	2	4.00	5.50	1.13	1.13	17.75	2.63	0.75	65TD350
SWXLO350-5N4-90V-AA	3.5	3	5.00	5.50	0.75	1.13	17.75	2.63	0.75	65TD350
SWXLO350-6N4-90V-AA	3.5	3	6.00	5.50	1.25	1.13	17.75	2.63	0.75	65TD350
SWXLO400-4N-90V-AA	4	2	3.00	4.50	0.63	0.63	16.88	2.88	0.75	65TD400
SWXLO400-4N4-90V-AA	4	2	4.00	5.50	1.13	1.13	17.88	2.88	0.75	65TD400
SWXLO400-5N4-90V-AA	4	3	5.00	5.50	0.75	1.13	17.88	2.88	0.75	65TD400
SWXLO400-6N4-90V-AA	4	3	6.00	5.50	1.25	1.13	17.88	2.88	0.75	65TD400
SWXLO500-4N4-90V-AA	5	2	4.00	5.50	1.13	1.13	20.94	3.38	1.00	85TD500
SWXLO500-5N4-90V-AA	5	3	5.00	5.50	0.75	1.13	20.94	3.38	1.00	85TD500
SWXLO500-6N4-90V-AA	5	3	6.00	5.50	1.25	1.13	20.94	3.38	1.00	85TD500
SWXLO600-4N4-90V-AA	6	2	4.00	5.50	1.13	1.13	22.94	4.00	1.00	115TD600
SWXLO600-5N4-90V-AA	6	3	5.00	5.50	0.75	1.13	22.94	4.00	1.00	115TD600
SWXLO600-6N4-90V-AA	6	3	6.00	5.50	1.25	1.13	22.94	4.00	1.00	115TD600