

TYPE SWXLS-AA

Swage Expansion Bus Terminal—Short

A Swage type short expansion bus terminal to NEMA pad. Also available with a 90 degree rotated NEMA pad.

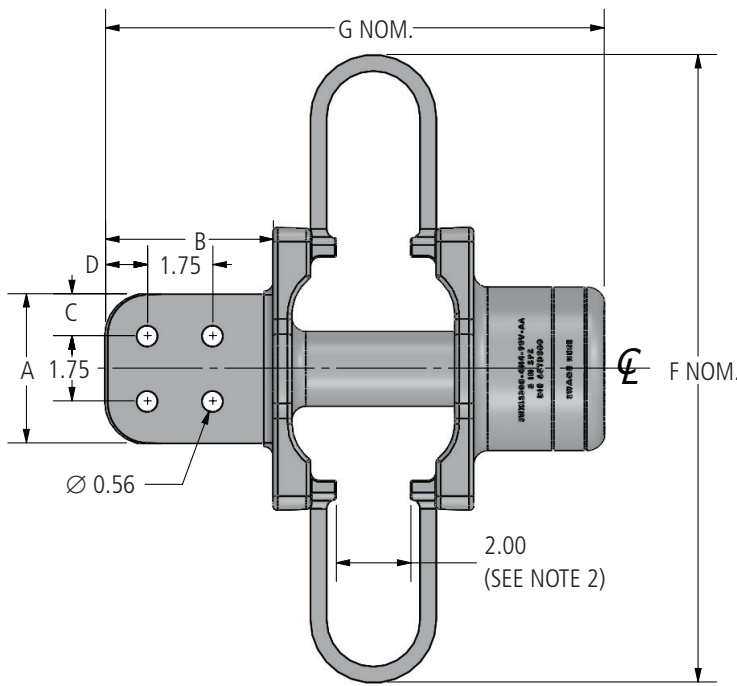
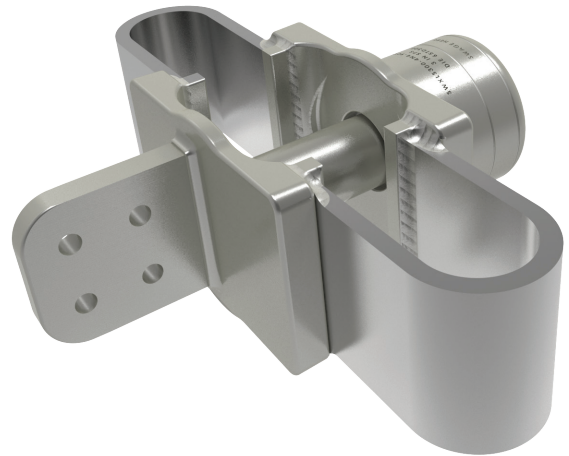
Material

Aluminum Alloy

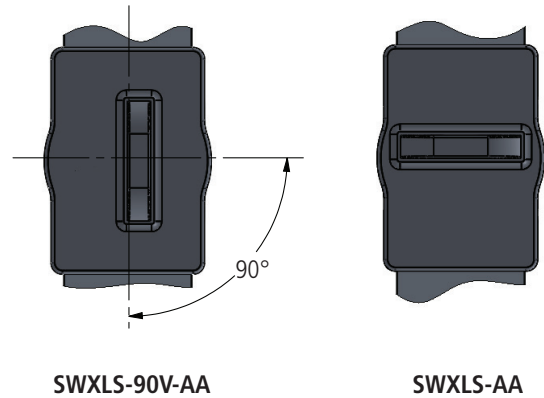
Notes

- Bore will be lined with AFL Filler compound (AFC) and capped.
- See General Information Section for this dimension.

f—Machine Finish

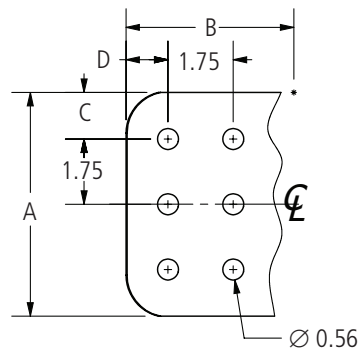
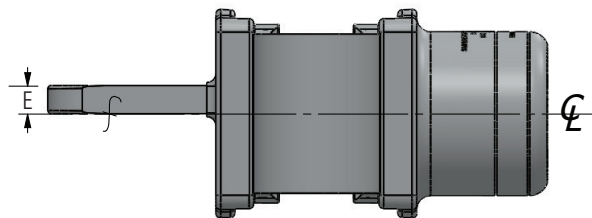


Detail 1



SWXLS-90V-AA

SWXLS-AA



Detail 2

continued

TYPE SWXLS-AA

Swage Expansion Bus Terminal—Short

Ordering Information

AFL NO.	S.P.S.	PAD DETAIL	DIMENSIONS IN INCHES							DIE SIZE
			A	B	C	D	E	F	G	
SWXLS200-4N-AA	2	1	3.00	3.50	0.63	0.63	0.75	15.83	12.50	65TD200
SWXLS200-4N4-AA	2	1	4.00	4.50	1.13	1.13	0.75	15.83	13.50	65TD200
SWXLS250-4N-AA	2.5	1	3.00	3.50	0.63	0.63	0.75	16.64	12.75	65TD250
SWXLS250-4N4-AA	2.5	1	4.00	4.50	1.13	1.13	0.75	16.64	13.75	65TD250
SWXLS300-4N-AA	3	1	3.00	3.50	0.63	0.63	0.75	16.83	12.37	65TD300
SWXLS300-4N4-AA	3	1	4.00	4.50	1.13	1.13	0.75	16.83	13.37	65TD300
SWXLS300-5N4-AA	3	2	5.00	4.50	0.75	1.13	0.75	16.83	13.37	65TD300
SWXLS350-4N-AA	3.5	1	3.00	3.50	0.63	0.63	0.75	16.83	12.37	65TD350
SWXLS350-4N4-AA	3.5	1	4.00	4.50	1.13	1.13	0.75	16.83	13.37	65TD350
SWXLS400-4N-AA	4	1	3.00	3.50	0.63	0.63	1.00	17.22	12.59	65TD400
SWXLS400-4N4-AA	4	1	4.00	4.50	1.13	1.13	1.00	17.22	13.59	65TD400
SWXLS400-5N4-AA	4	2	5.00	4.50	0.75	1.13	1.00	17.22	13.59	65TD400
SWXLS400-6N4-AA	4	2	6.00	4.50	1.25	1.13	1.00	17.22	13.59	65TD400
SWXLS200-4N-90V-AA	2	1	3.00	3.50	0.63	0.63	0.75	15.83	12.50	65TD200
SWXLS200-4N4-90V-AA	2	1	4.00	4.50	1.13	1.13	0.75	15.83	13.50	65TD200
SWXLS250-4N-90V-AA	2.5	1	3.00	3.50	0.63	0.63	0.75	16.64	12.75	65TD250
SWXLS250-4N4-90V-AA	2.5	1	4.00	4.50	1.13	1.13	0.75	16.64	13.75	65TD250
SWXLS300-4N-90V-AA	3	1	3.00	3.50	0.63	0.63	0.75	16.83	12.37	65TD300
SWXLS300-4N4-90V-AA	3	1	4.00	4.50	1.13	1.13	0.75	16.83	13.37	65TD300
SWXLS300-5N4-90V-AA	3	2	5.00	4.50	0.75	1.13	0.75	16.83	13.37	65TD300
SWXLS350-4N-90V-AA	3.5	1	3.00	3.50	0.63	0.63	0.75	16.83	12.37	65TD350
SWXLS350-4N4-90V-AA	3.5	1	4.00	4.50	1.13	1.13	0.75	16.83	13.37	65TD350
SWXLS400-4N-90V-AA	4	1	3.00	3.50	0.63	0.63	1.00	17.22	12.59	65TD400
SWXLS400-4N4-90V-AA	4	1	4.00	4.50	1.13	1.13	1.00	17.22	13.59	65TD400
SWXLS400-5N4-90V-AA	4	2	5.00	4.50	0.75	1.13	1.00	17.22	13.59	65TD400
SWXLS400-6N4-90V-AA	4	2	6.00	4.50	1.25	1.13	1.00	17.22	13.59	65TD400