

TYPE SWXTS-AA

Swage Vertical Bus Expansion

A Swage type vertical bus expansion with a NEMA pad.

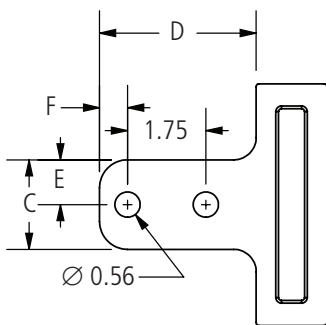
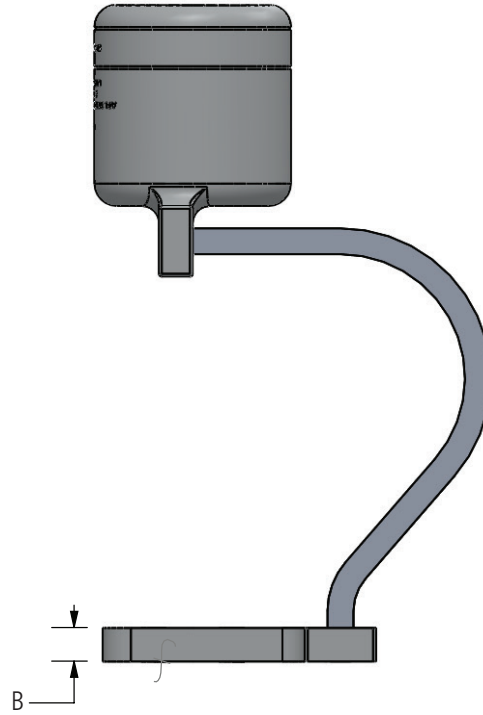
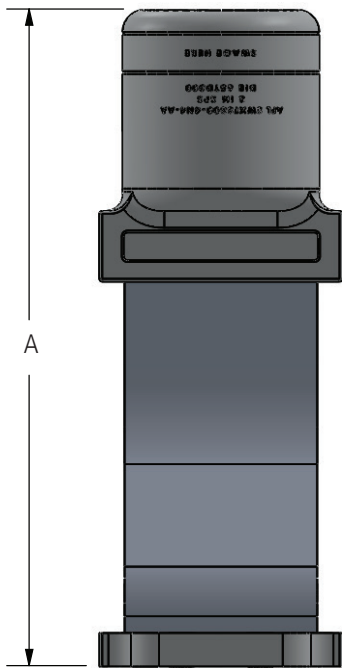
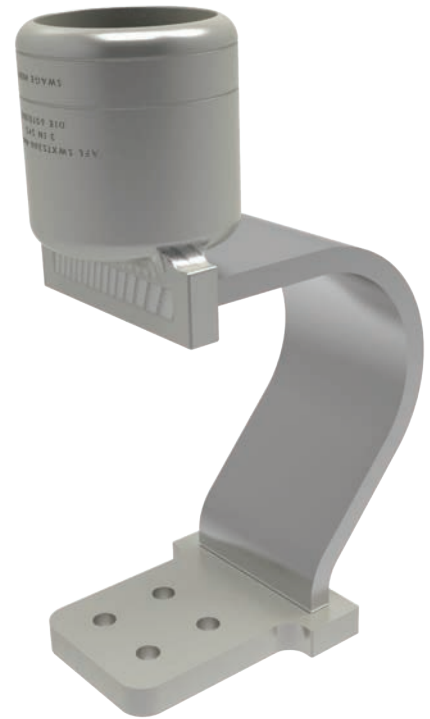
Material

Aluminum Alloy

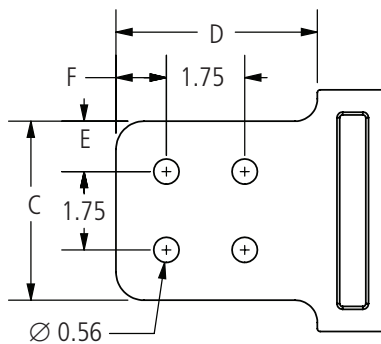
Notes

- Bore will be lined with AFL Filler compound (AFC) and capped.

f—Machine Finish



DETAIL 1



DETAIL 2

continued
→

TYPE SWXTS-AA

Swage Vertical Bus Expansion

Ordering Information

AFL NO.	S.P.S.	PAD DETAIL	DIMENSIONS IN INCHES						DIE SIZE
			A	B	C	D	E	F	
SWXTS100-2N-AA	1	1	13.07	0.38	2.00	3.50	1.00	0.63	65TD100
SWXTS100-4N-AA	1	2	13.07	0.38	3.00	3.50	0.63	0.63	65TD100
SWXTS100-4N4-AA	1	2	13.07	0.38	4.00	4.50	1.13	1.13	65TD100
SWXTS150-2N-AA	1.5	1	13.29	0.50	2.00	3.50	1.00	0.63	65TD150
SWXTS150-4N-AA	1.5	2	13.29	0.50	3.00	3.50	0.63	0.63	65TD150
SWXTS150-4N4-AA	1.5	2	13.29	0.50	4.00	4.50	1.13	1.13	65TD150
SWXTS200-2N-AA	2	1	13.92	0.50	2.00	3.50	1.00	0.63	65TD200
SWXTS200-4N-AA	2	2	13.92	0.50	3.00	3.50	0.63	0.63	65TD200
SWXTS200-4N4-AA	2	2	13.92	0.50	4.00	4.50	1.13	1.13	65TD200
SWXTS250-2N-AA	2.5	1	13.95	0.63	2.00	3.50	1.00	0.63	65TD250
SWXTS250-4N-AA	2.5	2	13.95	0.63	3.00	3.50	0.63	0.63	65TD250
SWXTS250-4N4-AA	2.5	2	13.95	0.63	4.00	4.50	1.13	1.13	65TD250
SWXTS300-2N-AA	3	1	14.67	0.75	2.00	3.50	1.00	0.63	65TD300
SWXTS300-4N-AA	3	2	14.67	0.75	3.00	3.50	0.63	0.63	65TD300
SWXTS300-4N4-AA	3	2	14.67	0.75	4.00	4.50	1.13	1.13	65TD300
SWXTS350-4N-AA	3.5	2	14.76	0.75	3.00	3.50	0.63	0.63	65TD350
SWXTS350-4N4-AA	3.5	2	14.76	0.75	4.00	4.50	1.13	1.13	65TD350
SWXTS400-4N-AA	4	2	14.86	0.75	3.00	3.50	0.63	0.63	65TD400
SWXTS400-4N4-AA	4	2	14.86	0.75	4.00	4.50	1.13	1.13	65TD400