

TYPE SWGPH-AA, SW2GPH-AA

Swage Bus Grounding Rod

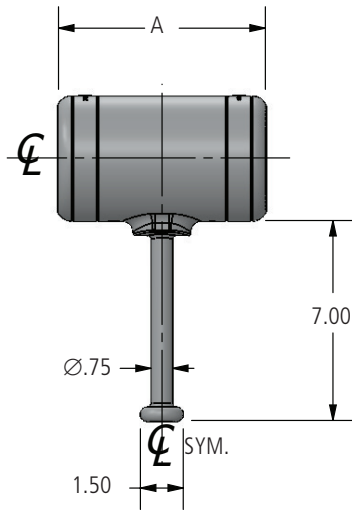
A Swage type grounding rod for a run of bus.

Material

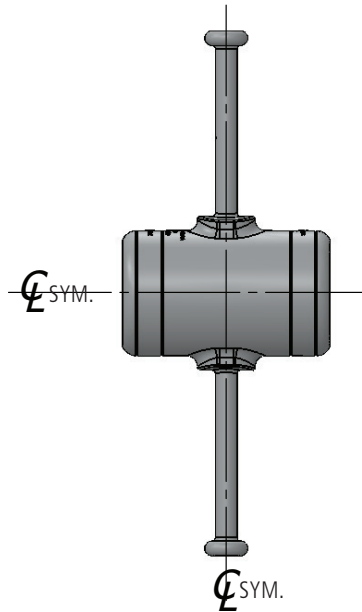
Aluminum Alloy

Notes

- Bore will be lined with AFL Filler compound (AFC) and capped.
- 5" and 6" SPS parts require double swages.



SWGPH-AA



SW2GPH-AA

SAME AS SWGPH-AA EXCEPT AS NOTED



SWGPH-AA



SW2GPH-AA

Ordering Information

AFL NO.		S.P.S.	DIMENSIONS IN INCHES		DIE SIZE
SINGLE ROD	DOUBLE ROD		A		
SWGPH100-AA	SW2GPH100-AA	1	6.00	65TD100	
SWGPH150-AA	SW2GPH150-AA	1.5	6.00	65TD150	
SWGPH200-AA	SW2GPH200-AA	2	6.00	65TD200	
SWGPH250-AA	SW2GPH250-AA	2.5	6.00	65TD250	
SWGPH300-AA	SW2GPH300-AA	3	7.25	65TD300	
SWGPH350-AA	SW2GPH350-AA	3.5	8.25	65TD350	
SWGPH400-AA	SW2GPH400-AA	4	9.25	65TD400	
SWGPH500-AA	SW2GPH500-AA	5	13.00	85TD500	
SWGPH600-AA	SW2GPH600-AA	6	15.00	115TD600	
SWGPH100-10-AA	SW2GPH100-10-AA	1	10.00	65TD100	
SWGPH150-10-AA	SW2GPH150-10-AA	1.5	10.00	65TD150	
SWGPH200-10-AA	SW2GPH200-10-AA	2	10.00	65TD200	
SWGPH250-10-AA	SW2GPH250-10-AA	2.5	10.00	65TD250	
SWGPH300-12-AA	SW2GPH300-12-AA	3	12.00	65TD300	
SWGPH350-12-AA	SW2GPH350-12-AA	3.5	12.00	65TD350	
SWGPH400-12-AA	SW2GPH400-12-AA	4	12.00	65TD400	
SWGPH500-17-AA	SW2GPH500-17-AA	5	17.00	85TD500	
SWGPH600-19-AA	SW2GPH600-19-AA	6	19.00	115TD600	