

TYPE SWGPHS-AA, SW2GPHS-AA Swage Split Bus Grounding Rod

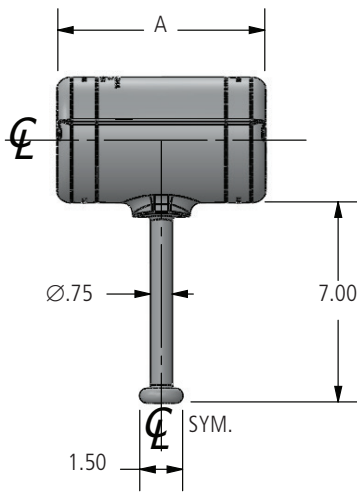
A Swage type split grounding rod for a run of bus.

Material

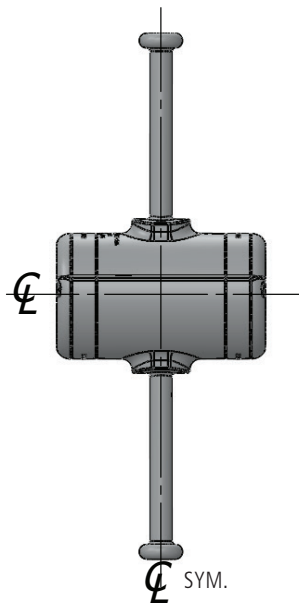
Aluminum Alloy

Notes

- Bore will be lined with AFL Filler compound (AFC) and capped.
- 5" and 6" SPS parts require double swages.



SWGPHS-AA



SW2GPHS-AA

SAME AS SWGPHS-AA EXCEPT AS NOTED



SWGPHS-AA



SW2GPHS-AA

Ordering Information

AFL NO.		S.P.S.	DIMENSIONS IN INCHES		DIE SIZE
SINGLE ROD	DOUBLE ROD		A		
SWGPHS100-AA	SW2GPHS100-AA	1	6.00	65TD100	
SWGPHS150-AA	SW2GPHS150-AA	1.5	6.00	65TD150	
SWGPHS200-AA	SW2GPHS200-AA	2	6.00	65TD200	
SWGPHS250-AA	SW2GPHS250-AA	2.5	6.00	65TD250	
SWGPHS300-AA	SW2GPHS300-AA	3	7.25	65TD300	
SWGPHS350-AA	SW2GPHS350-AA	3.5	8.25	65TD350	
SWGPHS400-AA	SW2GPHS400-AA	4	9.25	65TD400	
SWGPHS500-AA	SW2GPHS500-AA	5	13.00	85TD500	
SWGPHS600-AA	SW2GPHS600-AA	6	15.00	115TD600	
SWGPHS100-10-AA	SW2GPHS100-10-AA	1	10.00	65TD100	
SWGPHS150-10-AA	SW2GPHS150-10-AA	1.5	10.00	65TD150	
SWGPHS200-10-AA	SW2GPHS200-10-AA	2	10.00	65TD200	
SWGPHS250-10-AA	SW2GPHS250-10-AA	2.5	10.00	65TD250	
SWGPHS300-12-AA	SW2GPHS300-12-AA	3	12.00	65TD300	
SWGPHS350-12-AA	SW2GPHS350-12-AA	3.5	12.00	65TD350	
SWGPHS400-12-AA	SW2GPHS400-12-AA	4	12.00	65TD400	
SWGPHS500-17-AA	SW2GPHS500-17-AA	5	17.00	85TD500	
SWGPHS600-19-AA	SW2GPHS600-19-AA	6	19.00	115TD600	