

### TYPE SWGS-AA, SW2GS-AA

#### Swage Grounding Stirrup

A Swage type bus grounding stirrup.

#### Material

Aluminum Alloy

#### Notes

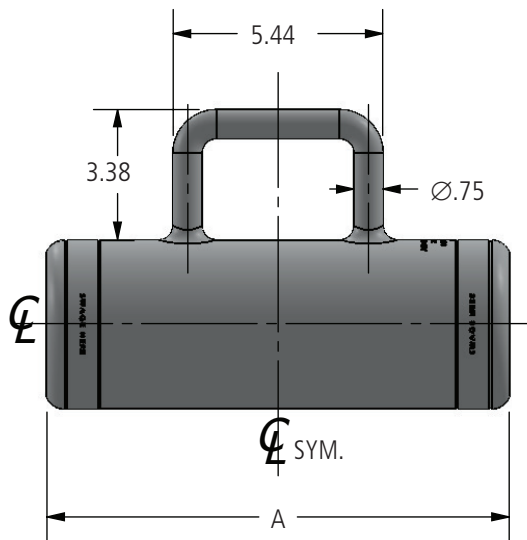
- Bore will be lined with AFL Filler compound (AFC) and capped.
- 5" and 6" SPS parts require double swages.



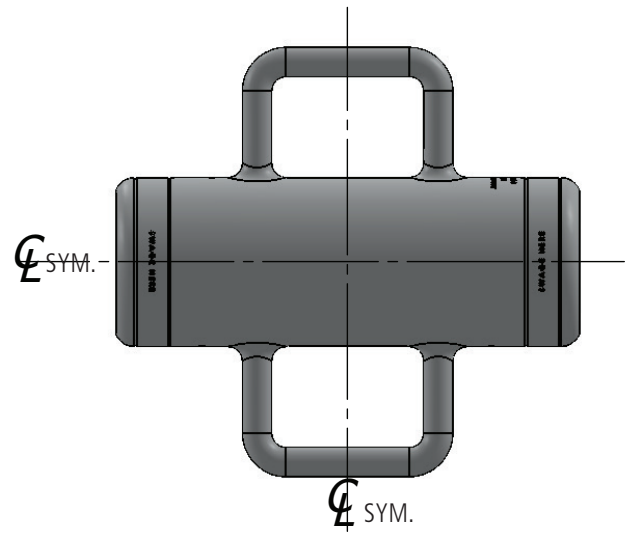
**SWGS-AA**



**SW2GS-AA**



**SWGS-AA**



**SW2GS-AA**

SAME AS SWGS-AA EXCEPT AS NOTED

STIRRUP/GRNG STUDS

#### Ordering Information

AFL NO.		S.P.S.	DIMENSIONS IN INCHES	
SINGLE STIRRUP	DOUBLE SITRRUP		A	DIE SIZE
SWGS100-AA	SW2GS100-AA	1	10.00	65TD100
SWGS150-AA	SW2GS150-AA	1.5	10.00	65TD150
SWGS200-AA	SW2GS200-AA	2	10.00	65TD200
SWGS250-AA	SW2GS250-AA	2.5	10.00	65TD250
SWGS300-AA	SW2GS300-AA	3	12.00	65TD300
SWGS350-AA	SW2GS350-AA	3.5	12.00	65TD350
SWGS400-AA	SW2GS400-AA	4	12.00	65TD400
SWGS500-AA	SW2GS500-AA	5	17.00	85TD500
SWGS600-AA	SW2GS600-AA	6	19.00	115TD600