

TYPE SWGSS-AA, SW2GSS-AA

Swage Split Grounding Stirrup

A Swage type split bus grounding stirrup.

Material

Aluminum Alloy

Notes

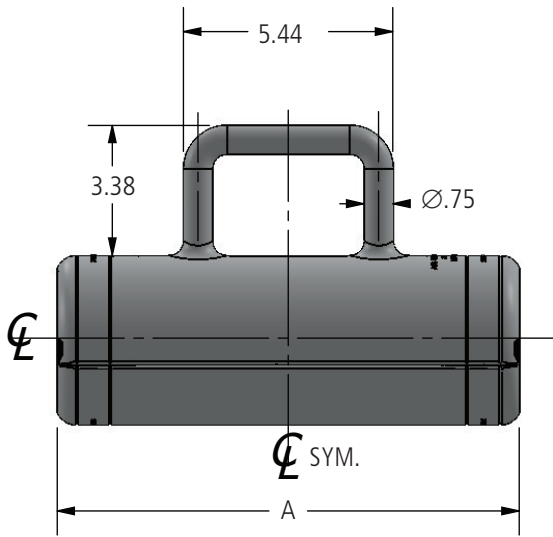
- Bore will be lined with AFL Filler compound (AFC) and capped.
- 5" and 6" SPS parts require double swages.



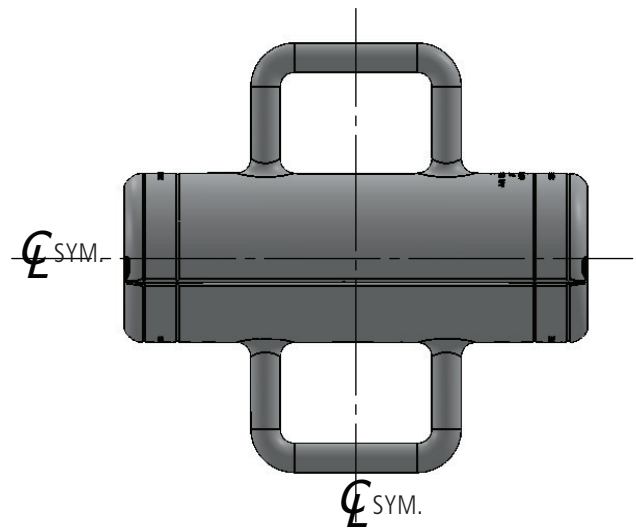
SWGS-AA



SW2GSS-AA



SWGSS-AA



SW2GSS-AA

SAME AS SWGSS-AA EXCEPT AS NOTED

STIRRUP/GRND STUDS

Ordering Information

AFL NO.		S.P.S.	DIMENSIONS IN INCHES	DIE SIZE
SINGLE STIRRUP	DOUBLE SITRRUP		A	
SWGSS100-AA	SW2GSS100-AA	1	10.00	65TD100
SWGSS150-AA	SW2GSS150-AA	1.5	10.00	65TD150
SWGSS200-AA	SW2GSS200-AA	2	10.00	65TD200
SWGSS250-AA	SW2GSS250-AA	2.5	10.00	65TD250
SWGSS300-AA	SW2GSS300-AA	3	12.00	65TD300
SWGSS350-AA	SW2GSS350-AA	3.5	12.00	65TD350
SWGSS400-AA	SW2GSS400-AA	4	12.00	65TD400
SWGSS500-AA	SW2GSS500-AA	5	17.00	85TD500
SWGSS600-AA	SW2GSS600-AA	6	19.00	115TD600