

## TYPE SWPSS-AA Swage Horizontal Bus Support

A Swage type horizontal bus support.

### Material

Aluminum Alloy

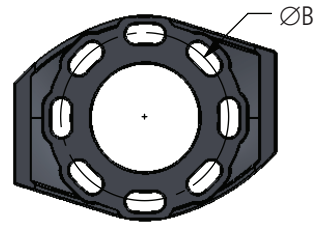
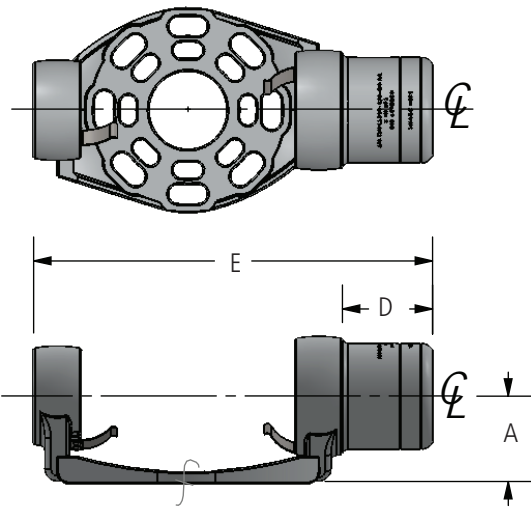
### Mounting Hardware

Galvanized steel bolts and lockwashers

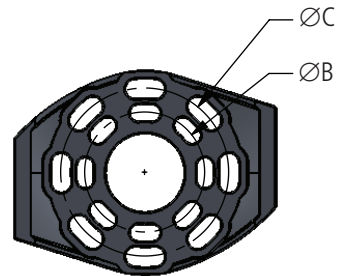
### Notes

- Bore will be lined with AFL Filler compound (AFC) and capped.
- 5" and 6" SPS parts require double swages.

*f*—Machine Finish



BOLT CIRCLE A



BOLT CIRCLE B

*continued*  
→

## TYPE SWPSS-AA Swage Horizontal Bus Support

### Ordering Information

AFL NO.	S.P.S.	BOLT CIRCLE	DIMENSIONS IN INCHES					DIE SIZE	VOLTAGE RATING (kV)
			A	B	C	D	E		
SWPSS200-3-CH-AA	2	A	2.75	3.00	—	3.75	11.88	65TD200	230
SWPSS200-3/5-CH-AA	2	B	2.75	3.00	5.00	3.75	13.13	65TD200	230
SWPSS200-5-CH-AA	2	A	2.75	5.00	—	3.75	13.13	65TD200	230
SWPSS200-5/7-CH-AA	2	B	2.75	5.00	7.00	3.75	15.63	65TD200	230
SWPSS200-7-CH-AA	2	A	2.75	7.00	—	3.75	15.63	65TD200	230
SWPSS250-3-CH-AA	2.5	A	3.13	3.00	—	4.00	12.13	65TD250	230
SWPSS250-3/5-CH-AA	2.5	B	3.13	3.00	5.00	4.00	13.38	65TD250	230
SWPSS250-5-CH-AA	2.5	A	3.13	5.00	—	4.00	13.38	65TD250	230
SWPSS250-5/7-CH-AA	2.5	B	3.13	5.00	7.00	4.00	15.88	65TD250	230
SWPSS250-7-CH-AA	2.5	A	3.13	7.00	—	4.00	15.88	65TD250	230
SWPSS300-3-CH-AA	3	A	3.63	3.00	—	3.75	12.88	65TD300	500
SWPSS300-3/5-CH-AA	3	B	3.63	3.00	5.00	3.75	14.13	65TD300	500
SWPSS300-5-CH-AA	3	A	3.63	5.00	—	3.75	14.13	65TD300	500
SWPSS300-5/7-CH-AA	3	B	3.63	5.00	7.00	3.75	16.63	65TD300	500
SWPSS300-7-CH-AA	3	A	3.63	7.00	—	3.75	16.63	65TD300	500
SWPSS350-3-CH-AA	3.5	A	4.00	3.00	—	4.00	13.13	65TD350	500
SWPSS350-3/5-CH-AA	3.5	B	4.00	3.00	5.00	4.00	14.38	65TD350	500
SWPSS350-5-CH-AA	3.5	A	4.00	5.00	—	4.00	14.38	65TD350	500
SWPSS350-5/7-CH-AA	3.5	B	4.00	5.00	7.00	4.00	16.88	65TD350	500
SWPSS350-7-CH-AA	3.5	A	4.00	7.00	—	4.00	16.88	65TD350	500
SWPSS400-3-CH-AA	4	A	4.50	3.00	—	4.50	13.63	65TD400	500
SWPSS400-3/5-CH-AA	4	B	4.50	3.00	5.00	4.50	14.88	65TD400	500
SWPSS400-5-CH-AA	4	A	4.50	5.00	—	4.50	14.88	65TD400	500
SWPSS400-5/7-CH-AA	4	B	4.50	5.00	7.00	4.50	17.38	65TD400	500
SWPSS400-7-CH-AA	4	A	4.50	7.00	—	4.50	17.38	65TD400	500
SWPSS500-3/5-CH-AA	5	B	5.00	3.00	5.00	5.38	15.76	85TD500	500
SWPSS500-5-CH-AA	5	A	5.00	5.00	—	5.38	15.76	85TD500	500
SWPSS500-5/7-CH-AA	5	B	5.00	5.00	7.00	5.38	18.26	85TD500	500
SWPSS500-7-CH-AA	5	A	5.00	7.00	—	5.38	18.26	85TD500	500
SWPSS600-3/5-CH-AA	6	B	5.50	3.00	5.00	6.63	17.00	115TD600	500
SWPSS600-5-CH-AA	6	A	5.50	5.00	—	6.63	17.00	115TD600	500
SWPSS600-5/7-CH-AA	6	B	5.50	5.00	7.00	6.63	19.50	115TD600	500
SWPSS600-7-CH-AA	6	A	5.50	7.00	—	6.63	19.50	115TD600	500