

TYPE SWPSV-AA Swage Vertical Bus Support

A Swage type vertical bus support.

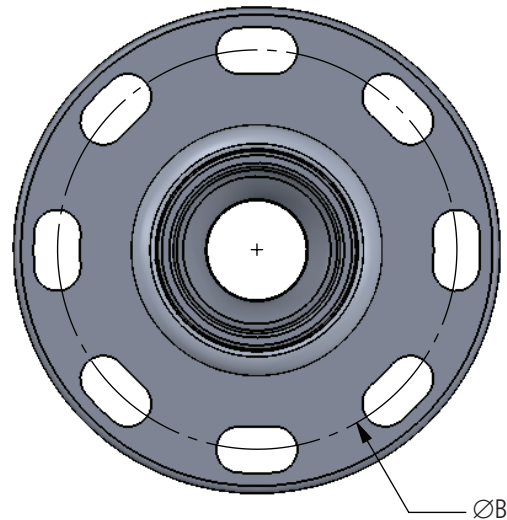
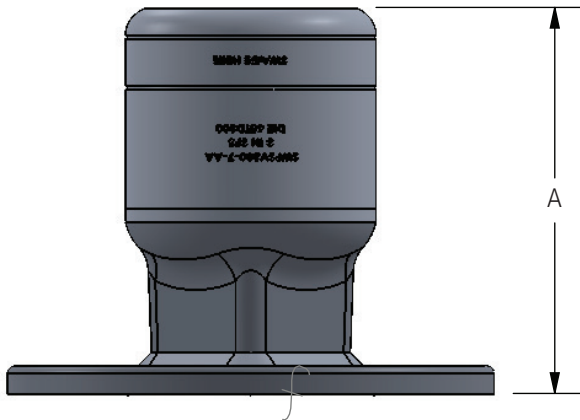
Material

Aluminum Alloy

Notes

- Bore will be lined with AFL Filler compound (AFC) and capped.
- 5" and 6" SPS parts require double swages.

f—Machine Finish



Ordering Information

AFL NO.	S.P.S.	DIMENSIONS IN INCHES		DIE SIZE	VOLTAGE RATING (kV)
		A	B		
SWPSV100-3-AA	1	6.00	3.00	65TD100	230
SWPSV100-5-AA	1	6.00	5.00	65TD100	230
SWPSV150-3-AA	1.5	5.98	3.00	65TD150	230
SWPSV150-5-AA	1.5	5.98	5.00	65TD150	230
SWPSV200-3-AA	2	5.97	3.00	65TD200	230
SWPSV200-5-AA	2	5.97	5.00	65TD200	230
SWPSV250-3-AA	2.5	6.04	3.00	65TD250	230
SWPSV250-5-AA	2.5	6.04	5.00	65TD250	230
SWPSV300-3-AA	3	6.49	3.00	65TD300	345
SWPSV300-5-AA	3	6.86	5.00	65TD300	345
SWPSV300-7-AA	3	6.86	7.00	65TD300	345
SWPSV350-3-AA	3.5	6.74	3.00	65TD350	345
SWPSV350-5-AA	3.5	7.11	5.00	65TD350	345
SWPSV350-7-AA	3.5	7.11	7.00	65TD350	345
SWPSV400-3-AA	4	6.74	3.00	65TD400	345
SWPSV400-5-AA	4	7.11	5.00	65TD400	345
SWPSV400-7-AA	4	7.11	7.00	65TD400	345
SWPSV500-5-AA	5	9.26	5.00	85TD500	345
SWPSV500-7-AA	5	9.26	7.00	85TD500	345
SWPSV600-5-AA	6	12.14	5.00	115TD600	345
SWPSV600-7-AA	6	12.14	7.00	115TD600	345