

TYPE PSD-AA, PSD-CH-AA

Bus Support, Pipe, Slide or Tight Fit

Bolted clamp type support, for pipe-to-pipe connection, with reversible tight or rigid fit.

Material

Aluminum Alloy

Hardware

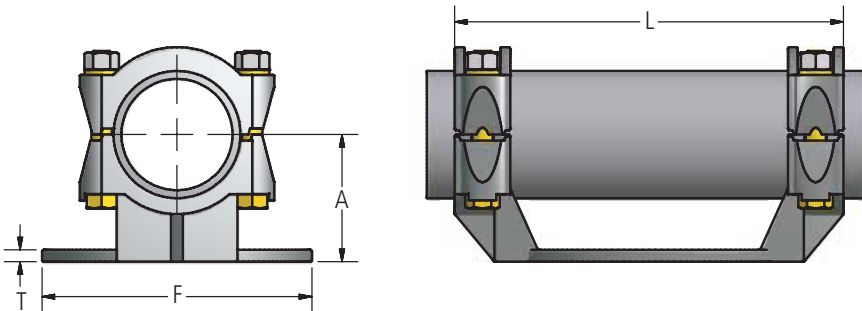
Yellow anodized aluminum bolts, nuts and lockwashers

Galvanized steel base mounting hardware included



Notes

- For Chatter Spring, add "-CH" to catalog number. EX: PSD400-3-CH-AA
- For Grade Five Galvanized Steel Hardware, add "-GS5" to catalog number.
EX: PSD400-5-AA-GS5
- For Stainless Steel bolts, lockwashers and Everdur nuts, add "-SSHBN" to catalog number.
EX: PSD400-3-AA-SSBHN
- For base mounting dimensions and hardware, see page 3 in the general catalog index of AFL's Substation Catalog or page 46 of the Swage Accessories Catalog.



Ordering Information

CATALOG NUMBER		S.P.S.	BOLT CIRCLE	DIMENSIONS IN INCHES				BOLT SIZE
STANDARD	CHATTER SPRING			A	F	L	T	
PSD75-3-AA	PSD75-3-CH-AA	3/4	3	2	4-1/4	6-3/4	3/8	1/2
PSD75-5-AA	PSD75-5-CH-AA	3/4	5	2-1/4	6-1/4	9	3/8	1/2
PSD100-3-AA	PSD100-3-CH-AA	1	3	2	4-1/4	7	3/8	1/2
PSD100-5-AA	PSD100-5-CH-AA	1	5	2-1/4	6-1/4	9	3/8	1/2
PSD125-3-AA	PSD125-3-CH-AA	1-1/4	3	2-1/4	4-1/4	7-1/4	3/8	1/2
PSD125-5-AA	PSD125-5-CH-AA	1-1/4	5	2-3/8	6-1/4	9-1/2	3/8	1/2
PSD150-3-AA	PSD150-3-CH-AA	1-1/2	3	2-1/2	4-1/4	7-1/4	3/8	1/2
PSD150-5-AA	PSD150-5-CH-AA	1-1/2	5	2-1/2	6-1/4	9-1/2	3/8	1/2
PSD200-3-AA	PSD200-3-CH-AA	2	3	2-3/4	4-1/4	7-1/4	3/8	1/2
PSD200-5-AA	PSD200-5-CH-AA	2	5	2-3/4	6-1/4	9-1/2	3/8	1/2
PSD250-3-AA	PSD250-3-CH-AA	2-1/2	3	3-1/8	4-1/4	7-3/4	3/8	1/2
PSD250-5-AA	PSD250-5-CH-AA	2-1/2	5	3-1/8	6-1/4	10	3/8	1/2
PSD300-3-AA	PSD300-3-CH-AA	3	3	3-5/8	4-1/4	7-3/4	3/8	5/8
PSD300-5-AA	PSD300-5-CH-AA	3	5	3-5/8	6-1/4	10	3/8	5/8
PSD300-7-AA	PSD300-7-CH-AA	3	7	3-5/8	8-1/2	12-1/4	1/2	5/8
PSD350-3-AA	PSD350-3-CH-AA	3-1/2	3	4	4-1/4	7-3/4	3/8	5/8
PSD350-5-AA	PSD350-5-CH-AA	3-1/2	5	4	6-1/4	10	3/8	5/8
PSD350-7-AA	PSD350-7-CH-AA	3-1/2	7	4	8-1/2	12	1/2	5/8

TYPE PSD-AA, PSD-CH-AA (cont.)

Bus Support, Pipe, Slide or Tight Fit

Ordering Information

CATALOG NUMBER		S.P.S.	BOLT CIRCLE	DIMENSIONS IN INCHES				BOLT SIZE
STANDARD	CHATTER SPRING			A	F	L	T	
PSD400-3-AA	PSD400-3-CH-AA	4	3	4-1/2	4-1/4	7-3/4	1/2	5/8
PSD400-5-AA	PSD400-5-CH-AA	4	5	4-1/2	6-1/4	10	1/2	5/8
PSD400-7-AA	PSD400-7-CH-AA	4	7	4-1/2	8-1/2	12-1/4	1/2	5/8
PSD450-3-AA	PSD450-3-CH-AA	4-1/2	3	4-3/4	4-1/4	8	1/2	5/8
PSD450-5-AA	PSD450-5-CH-AA	4-1/2	5	4-3/4	6-1/4	10	1/2	5/8
PSD450-7-AA	PSD450-7-CH-AA	4-1/2	7	4-3/4	8-1/2	12-3/4	5/8	5/8
PSD500-3-AA	PSD500-3-CH-AA	5	3	5	4-1/4	8	1/2	5/8
PSD500-5-AA	PSD500-5-CH-AA	5	5	5	6-1/4	10	1/2	5/8
PSD500-7-AA	PSD500-7-CH-AA	5	7	5	8-1/2	12-3/4	1/2	5/8
PSD600-3-AA	PSD600-3-CH-AA	6	3	5-1/2	4-1/4	8-1/4	1/2	5/8
PSD600-5-AA	PSD600-5-CH-AA	6	5	5-1/2	6-1/4	10-1/2	1/2	5/8
PSD600-7-AA	PSD600-7-CH-AA	6	7	5-1/2	8-1/2	12-3/4	1/2	5/8
PSD800-5-AA	PSD800-5-CH-AA	8	5	6-7/8	6-1/4	10-1/2	1/2	5/8
PSD800-7-AA	PSD800-7-CH-AA	8	7	6-7/8	8-1/2	12-3/4	1/2	5/8

TYPE PSD-V-AA, PSD-V-CH-AA

Bolted Bus Support, Pipe, Slide or Tight Fit

Double ring support is designed to be corona free for 345 kV and 500 kV service. Support is designed to be slip or tight fit depending on top caps.

Material

Aluminum Alloy

Hardware

Galvanized steel bolts and lockwashers for mounting.
Yellow anodized aluminum bolts, nuts, and lockwashers.

Notes

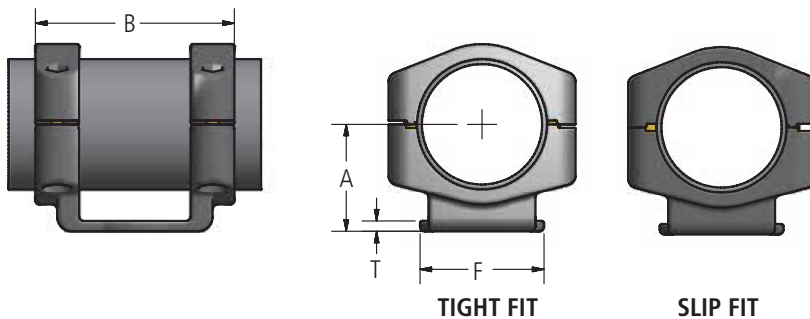
- For Grade Five galvanized steel hardware, add "-GS5" to catalog number. EX: PSD400-7-V-AA-GS5



PSD-V-AA



PSD-V-CH-AA



Ordering Information

CATALOG NUMBER		S.P.S.	BOLT CIRCLE	DIMENSIONS IN INCHES				BOLT SIZE
STANDARD	WITH CHATTER SPRING			A	B	F	T	
PSD250-5-V-AA	PSD250-5-V-CH-AA	2 1/2	5	3 1/8	9 7/8	6 1/4	17/32	1/2
PSD300-3-V-AA	PSD300-3-V-CH-AA	3	3	3 5/8	10 1/8	4 1/4	5/8	5/8
PSD300-5-V-AA	PSD300-5-V-CH-AA	3	5	3 5/8	10 1/4	6 1/4	1/2	5/8
PSD300-7-V-AA	PSD300-7-V-CH-AA	3	7	3 5/8	14 1/2	8 1/2	1/2	5/8
PSD350-5-V-AA	PSD350-5-V-CH-AA	3 1/2	5	4	10 1/4	6 1/4	1/2	5/8
PSD350-7-V-AA	PSD350-7-V-CH-AA	3 1/2	7	4	14 1/2	8 1/2	1/2	5/8
PSD400-3-V-AA	PSD400-3-V-CH-AA	4	3	4 1/2	10 1/8	4 1/4	9/16	5/8
PSD400-5-V-AA	PSD400-5-V-CH-AA	4	5	4 1/2	10 1/4	6 3/8	9/16	5/8
PSD400-7-V-AA	PSD400-7-V-CH-AA	4	7	4 1/2	14 1/2	8 1/2	1/2	5/8
PSD500-3-V-AA	PSD500-3-V-CH-AA	5	3	5	10 1/8	4 1/4	9/16	5/8
PSD500-5-V-AA	PSD500-5-V-CH-AA	5	5	5	10 1/4	6 1/4	1/2	5/8
PSD500-5/7-V-AA	PSD500-5/7-V-CH-AA	5	5 & 7	5	12 3/4	8 1/2	5/8	5/8
PSD500-7-V-AA	PSD500-7-V-CH-AA	5	7	5	12 3/4	8 1/2	5/8	5/8
PSD600-5-V-AA	PSD600-5-V-CH-AA	6	5	5 1/2	10 1/4	6 1/4	1/2	5/8
PSD600-7-V-AA	PSD600-7-V-CH-AA	6	7	5 1/2	12 3/4	8 1/2	5/8	5/8
PSD800R-5-V-AA	PSD800R-5-V-CH-AA	8 DIA	5	7 1/2	10 1/4	6 1/4	1/2	5/8
PSD800R-7-V-AA	PSD800R-7-V-CH-AA	8 DIA	7	7 1/2	12 3/4	8 1/2	5/8	5/8
PSD800-5-V-AA	PSD800-5-V-CH-AA	8	5	6 7/8	10 1/4	6 1/4	1/2	5/8
PSD800-7-V-AA	PSD800-7-V-CH-AA	8	7	6 7/8	12 3/4	8 1/2	5/8	5/8

TYPE WPS-AA

Aluminum Welded Bus Support

Horizontal type support for pipe or tube to insulator. Slip or rigid fit applications.

Material

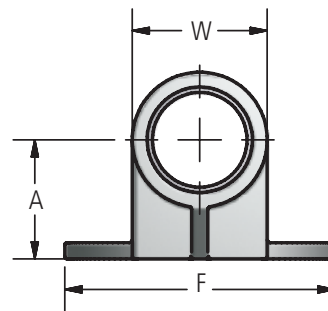
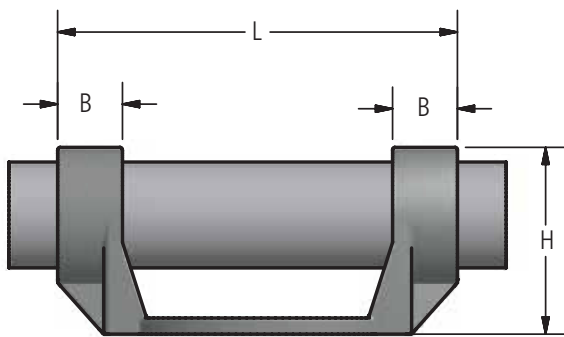
Aluminum Alloy

Hardware

Galvanized steel mounting hardware.

Notes

- For base mounting dimensions and hardware see page 3 in the general catalog index of AFL's Substation Catalog or page 46 of the Swage Accessories Catalog.



TYPE WPS-AA

Aluminum Welded Bus Support

Ordering Information

CATALOG NUMBER		S.P.S.	BOLT CIRCLE	DIMENSIONS IN INCHES							
STANDARD	WITH CHATTER SPRING			A	B	C	D	F	H	L	W
WPS100-3-AA	WPS100-3-CH-AA	1	A	2	1	3	-	4 1/4	2 31/32	6 1/4	1 29/32
WPS100-5-AA	WPS100-5-CH-AA	1	A	2 1/4	1	5	-	6 1/4	3 7/32	7 27/32	1 29/32
WPS125-3-AA	WPS125-3-CH-AA	1 1/4	A	2 1/4	1	3	-	4 1/4	3 3/8	6 1/4	2 9/32
WPS125-5-AA	WPS125-5-CH-AA	1 1/4	A	2 3/8	1	5	-	6 1/4	3 17/32	8 1/8	2 9/32
WPS150-3-AA	WPS150-3-CH-AA	1 1/2	A	2 1/2	1 1/4	3	-	4 1/4	3 3/4	6 3/4	2 9/32
WPS150-5-AA	WPS150-5-CH-AA	1 1/2	A	2 1/2	1 1/4	5	-	6 1/4	3 3/4	8 3/4	2 9/32
WPS200-3-AA	WPS200-3-CH-AA	2	A	2 3/4	1 1/2	3	-	4 1/4	4 1/4	7 1/4	3 5/32
WPS200-5-AA	WPS200-5-CH-AA	2	A	2 3/4	1 1/2	5	-	6 1/4	4 1/4	9 1/8	3 5/32
WPS250-3-AA	WPS250-3-CH-AA	2 1/2	A	3 1/8	1 1/2	3	-	4 1/4	5	7 1/4	3 13/16
WPS250-5-AA	WPS250-5-CH-AA	2 1/2	A	3 1/8	1 1/2	5	-	6 1/4	5	9 3/16	3 13/16
WPS250-7-AA	WPS250-7-CH-AA	2 1/2	A	3 1/8	1 1/2	7	-	8 1/2	5	12	3 13/16
WPS300-3-AA	WPS300-3-CH-AA	3	A	3 5/8	1 3/4	3	-	4 1/4	5 25/32	7 3/4	4 5/16
WPS300-3/5-AA	WPS300-3/5-CH-AA	3	B	3 5/8	1 3/4	3	5	6 1/4	5 25/32	9 3/4	4 5/16
WPS300-5-AA	WPS300-5-CH-AA	3	A	3 5/8	1 3/4	5	-	6 1/4	5 25/32	9 3/4	4 5/16
WPS300-5/7-AA	WPS300-5/7-CH-AA	3	B	3 5/8	1 3/4	5	7	8 1/2	5 25/32	12 1/4	4 5/16
WPS300-7-AA	WPS300-7-CH-AA	3	A	3 5/8	1 3/4	7	-	8 1/2	5 25/32	12 1/4	4 5/16
WPS350-3-AA	WPS350-3-CH-AA	3 1/2	A	4	1 3/4	3	-	4 1/4	6 1/2	7 3/4	5
WPS350-3/5-AA	WPS350-3/5-CH-AA	3 1/2	B	4	1 3/4	3	5	6 1/4	6 1/2	9 3/4	5
WPS350-5-AA	WPS350-5-CH-AA	3 1/2	A	4	1 3/4	5	-	6 1/4	6 1/2	9 3/4	5
WPS350-5/7-AA	WPS350-5/7-CH-AA	3 1/2	B	4	1 3/4	5	7	8 1/2	6 1/2	12 1/8	5
WPS350-7-AA	WPS350-7-CH-AA	3 1/2	A	4	1 3/4	7	-	8 1/2	6 1/2	12 1/8	5
WPS400-3-AA	WPS400-3-CH-AA	4	A	4 1/2	2	3	-	4 1/4	7 1/4	8 1/8	5 15/32
WPS400-3/5-AA	WPS400-3/5-CH-AA	4	B	4 1/2	2	3	5	6 1/4	7 1/4	10 1/4	5 15/32
WPS400-5-AA	WPS400-5-CH-AA	4	A	4 1/2	2	5	-	6 1/4	7 1/4	10 1/4	5 15/32
WPS400-5/7-AA	WPS400-5/7-CH-AA	4	B	4 1/2	2	5	7	8 1/2	7 1/4	12 1/2	5 15/32
WPS400-7-AA	WPS400-7-CH-AA	4	A	4 1/2	2	7	-	8 1/2	7 1/4	12 1/2	5 15/32
WPS450-3-AA	WPS450-3-CH-AA	4 1/2	A	4 3/4	2	3	-	4 1/4	7 1/4	8 1/4	5 31/32
WPS450-3/5-AA	WPS450-3/5-CH-AA	4 1/2	B	4 3/4	2	3	5	6 1/4	7 1/4	10 1/4	5 31/32
WPS450-5-AA	WPS450-5-CH-AA	4 1/2	A	4 3/4	2	5	-	6 1/4	7 1/4	10 1/4	5 31/32
WPS450-5/7-AA	WPS450-5/7-CH-AA	4 1/2	B	4 3/4	2	5	7	8 1/2	7 1/4	12 1/2	5 15/32
WPS450-7-AA	WPS450-7-CH-AA	4 1/2	A	4 3/4	2	7	-	8 1/2	7 1/4	12 1/2	5 15/32
WPS500-3-AA	WPS500-3-CH-AA	5	A	5	2 1/4	3	-	4 1/4	8 9/16	8 7/8	6 5/8
WPS500-3/5-AA	WPS500-3/5-CH-AA	5	B	5	2 1/4	3	5	6 1/4	8 9/16	10 7/8	6 5/8
WPS500-5-AA	WPS500-5-CH-AA	5	A	5	2 1/4	5	-	6 1/4	8 9/16	10 7/8	6 5/8
WPS500-5/7-AA	WPS500-5/7-CH-AA	5	B	5	2 1/4	5	7	8 1/2	8 9/16	13 1/8	6 5/8
WPS500-7-AA	WPS500-7-CH-AA	5	A	5	2 1/4	7	-	8 1/2	8 9/16	13 1/8	6 5/8
WPS600-3-AA	WPS600-3-CH-AA	6	A	5 1/2	2 1/4	3	-	4 1/4	9 23/32	8 7/8	7 7/8
WPS600-3/5-AA	WPS600-3/5-CH-AA	6	B	5 1/2	2 1/4	3	5	6 1/4	9 23/32	10 7/8	7 7/8
WPS600-5-AA	WPS600-5-CH-AA	6	A	5 1/2	2 1/4	5	-	6 1/4	9 23/32	10 7/8	7 7/8
WPS600-5/7-AA	WPS600-5/7-CH-AA	6	B	5 1/2	2 1/4	5	7	8 1/2	9 23/32	13 1/8	7 7/8
WPS600-7-AA	WPS600-7-CH-AA	6	A	5 1/2	2 1/4	7	-	8 1/2	9 23/32	13 1/8	7 7/8

TYPE SWPS-AA Swage Horizontal Bus Support

A Swage type horizontal bus support.

Material

Aluminum Alloy

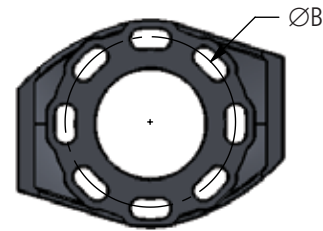
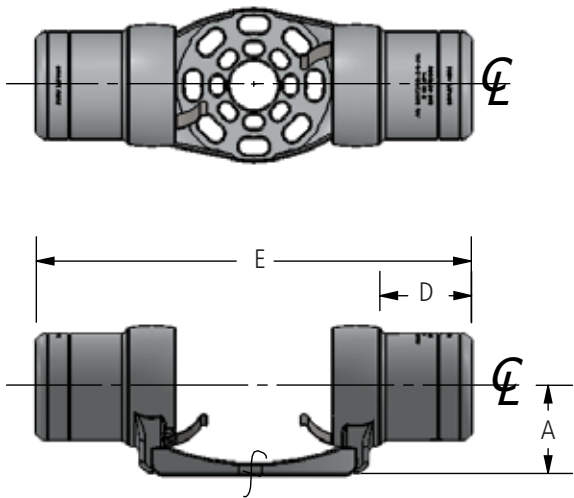
Mounting Hardware

Galvanized steel bolts and lockwashers

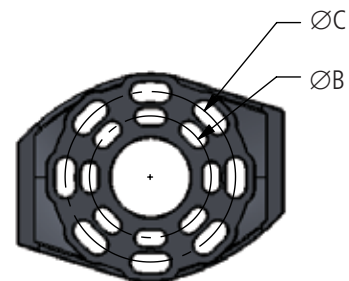
Notes

- Bore will be lined with AFL Filler compound (AFC) and capped.
- See General Information Section for this dimension.
- 5" and 6" S.P.S. parts require double swages

f—Machine Finish



BOLT CIRCLE A



BOLT CIRCLE B

TYPE SWPS-AA Swage Horizontal Bus Support

Ordering Information

AFL NO.	S.P.S.	BOLT CIRCLE	DIMENSIONS IN INCHES					DIE SIZE	VOLTAGE RATING (kV)
			A	B	C	D	E		
SWPS200-3-CH-AA	2	A	2.75	3.00	-	3.75	15.63	65TD200	230
SWPS200-3/5-CH-AA	2	B	2.75	3.00	5.00	3.75	16.88	65TD200	230
SWPS200-5-CH-AA	2	A	2.75	5.00	-	3.75	16.88	65TD200	230
SWPS200-5/7-CH-AA	2	B	2.75	5.00	7.00	3.75	19.38	65TD200	230
SWPS200-7-CH-AA	2	A	2.75	7.00	-	3.75	19.38	65TD200	230
SWPS250-3-CH-AA	2.5	A	3.16	3.00	-	4.00	16.13	65TD250	230
SWPS250-3/5-CH-AA	2.5	B	3.16	3.00	5.00	4.00	17.38	65TD250	230
SWPS250-5-CH-AA	2.5	A	3.16	5.00	-	4.00	17.38	65TD250	230
SWPS250-5/7-CH-AA	2.5	B	3.16	5.00	7.00	4.00	19.88	65TD250	230
SWPS250-7-CH-AA	2.5	A	3.16	7.00	-	4.00	19.88	65TD250	230
SWPS300-3-CH-AA	3	A	3.63	3.00	-	3.75	16.63	65TD300	500
SWPS300-3/5-CH-AA	3	B	3.63	3.00	5.00	3.75	17.88	65TD300	500
SWPS300-5-CH-AA	3	A	3.63	5.00	-	3.75	17.88	65TD300	500
SWPS300-5/7-CH-AA	3	B	3.63	5.00	7.00	3.75	20.38	65TD300	500
SWPS300-7-CH-AA	3	A	3.63	7.00	-	3.75	20.38	65TD300	500
SWPS350-3-CH-AA	3.5	A	4.00	3.00	-	4.00	17.13	65TD350	500
SWPS350-3/5-CH-AA	3.5	B	4.00	3.00	5.00	4.00	18.38	65TD350	500
SWPS350-5-CH-AA	3.5	A	4.00	5.00	-	4.00	18.38	65TD350	500
SWPS350-5/7-CH-AA	3.5	B	4.00	5.00	7.00	4.00	20.88	65TD350	500
SWPS350-7-CH-AA	3.5	A	4.00	7.00	-	4.00	20.88	65TD350	500
SWPS400-3-CH-AA	4	A	4.50	3.00	-	4.50	18.13	65TD400	500
SWPS400-3/5-CH-AA	4	B	4.50	3.00	5.00	4.50	19.38	65TD400	500
SWPS400-5-CH-AA	4	A	4.50	5.00	-	4.50	19.38	65TD400	500
SWPS400-5/7-CH-AA	4	B	4.50	5.00	7.00	4.50	21.88	65TD400	500
SWPS400-7-CH-AA	4	A	4.50	7.00	-	4.50	21.88	65TD400	500
SWPS500-3/5-CH-AA	5	B	5.00	3.00	5.00	5.38	21.14	85TD500	500
SWPS500-5-CH-AA	5	A	5.00	5.00	-	5.38	21.14	85TD500	500
SWPS500-5/7-CH-AA	5	B	5.00	5.00	7.00	5.38	23.64	85TD500	500
SWPS500-7-CH-AA	5	A	5.00	7.00	-	5.38	23.64	85TD500	500
SWPS600-3/5-CH-AA	6	B	5.50	3.00	5.00	6.62	23.62	115TD600	500
SWPS600-5-CH-AA	6	A	5.50	5.00	-	6.62	23.62	115TD600	500
SWPS600-5/7-CH-AA	6	B	5.50	5.00	7.00	6.62	26.12	115TD600	500
SWPS600-7-CH-AA	6	A	5.50	7.00	-	6.62	26.12	115TD600	500

TYPE SWPSS-AA Swage Horizontal Bus Support

A Swage type horizontal bus support.

Material

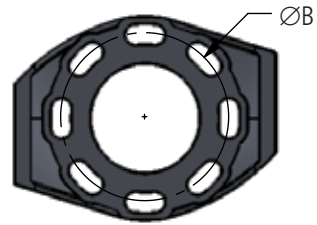
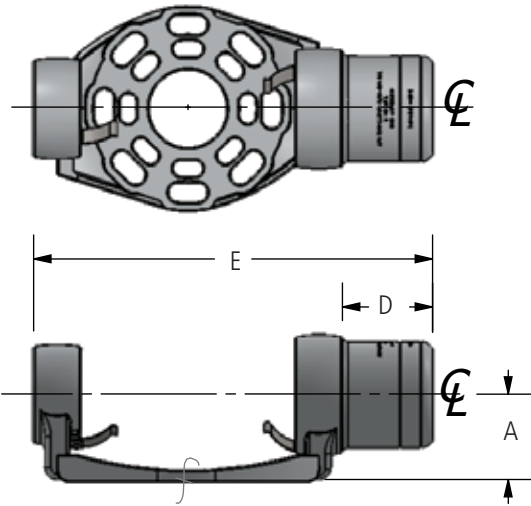
Aluminum Alloy

Mounting Hardware

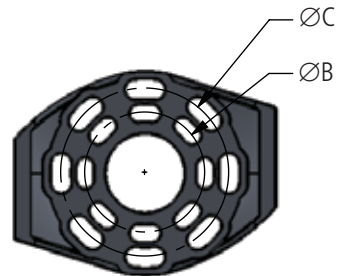
Galvanized steel bolts and lockwashers

Notes

- Bore will be lined with AFL Filler compound (AFC) and capped.
 - 5" and 6" SPS parts require double swages.
- f*—Machine Finish



BOLT CIRCLE A



BOLT CIRCLE B

TYPE SWPSS-AA Swage Horizontal Bus Support

Ordering Information

AFL NO.	S.P.S.	BOLT CIRCLE	DIMENSIONS IN INCHES					DIE SIZE	VOLTAGE RATING (kV)
			A	B	C	D	E		
SWPSS200-3-CH-AA	2	A	2.75	3.00	—	3.75	11.88	65TD200	230
SWPSS200-3/5-CH-AA	2	B	2.75	3.00	5.00	3.75	13.13	65TD200	230
SWPSS200-5-CH-AA	2	A	2.75	5.00	—	3.75	13.13	65TD200	230
SWPSS200-5/7-CH-AA	2	B	2.75	5.00	7.00	3.75	15.63	65TD200	230
SWPSS200-7-CH-AA	2	A	2.75	7.00	—	3.75	15.63	65TD200	230
SWPSS250-3-CH-AA	2.5	A	3.13	3.00	—	4.00	12.13	65TD250	230
SWPSS250-3/5-CH-AA	2.5	B	3.13	3.00	5.00	4.00	13.38	65TD250	230
SWPSS250-5-CH-AA	2.5	A	3.13	5.00	—	4.00	13.38	65TD250	230
SWPSS250-5/7-CH-AA	2.5	B	3.13	5.00	7.00	4.00	15.88	65TD250	230
SWPSS250-7-CH-AA	2.5	A	3.13	7.00	—	4.00	15.88	65TD250	230
SWPSS300-3-CH-AA	3	A	3.63	3.00	—	3.75	12.88	65TD300	500
SWPSS300-3/5-CH-AA	3	B	3.63	3.00	5.00	3.75	14.13	65TD300	500
SWPSS300-5-CH-AA	3	A	3.63	5.00	—	3.75	14.13	65TD300	500
SWPSS300-5/7-CH-AA	3	B	3.63	5.00	7.00	3.75	16.63	65TD300	500
SWPSS300-7-CH-AA	3	A	3.63	7.00	—	3.75	16.63	65TD300	500
SWPSS350-3-CH-AA	3.5	A	4.00	3.00	—	4.00	13.13	65TD350	500
SWPSS350-3/5-CH-AA	3.5	B	4.00	3.00	5.00	4.00	14.38	65TD350	500
SWPSS350-5-CH-AA	3.5	A	4.00	5.00	—	4.00	14.38	65TD350	500
SWPSS350-5/7-CH-AA	3.5	B	4.00	5.00	7.00	4.00	16.88	65TD350	500
SWPSS350-7-CH-AA	3.5	A	4.00	7.00	—	4.00	16.88	65TD350	500
SWPSS400-3-CH-AA	4	A	4.50	3.00	—	4.50	13.63	65TD400	500
SWPSS400-3/5-CH-AA	4	B	4.50	3.00	5.00	4.50	14.88	65TD400	500
SWPSS400-5-CH-AA	4	A	4.50	5.00	—	4.50	14.88	65TD400	500
SWPSS400-5/7-CH-AA	4	B	4.50	5.00	7.00	4.50	17.38	65TD400	500
SWPSS400-7-CH-AA	4	A	4.50	7.00	—	4.50	17.38	65TD400	500
SWPSS500-3/5-CH-AA	5	B	5.00	3.00	5.00	5.38	15.76	85TD500	500
SWPSS500-5-CH-AA	5	A	5.00	5.00	—	5.38	15.76	85TD500	500
SWPSS500-5/7-CH-AA	5	B	5.00	5.00	7.00	5.38	18.26	85TD500	500
SWPSS500-7-CH-AA	5	A	5.00	7.00	—	5.38	18.26	85TD500	500
SWPSS600-3/5-CH-AA	6	B	5.50	3.00	5.00	6.63	17.00	115TD600	500
SWPSS600-5-CH-AA	6	A	5.50	5.00	—	6.63	17.00	115TD600	500
SWPSS600-5/7-CH-AA	6	B	5.50	5.00	7.00	6.63	19.50	115TD600	500
SWPSS600-7-CH-AA	6	A	5.50	7.00	—	6.63	19.50	115TD600	500

TYPE SWPSV-AA Swage Vertical Bus Support

A Swage type vertical bus support.

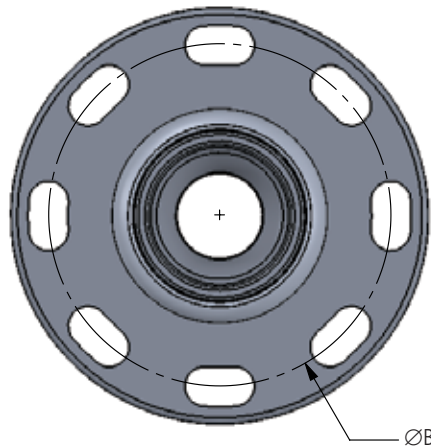
Material

Aluminum Alloy

Notes

- Bore will be lined with AFL Filler compound (AFC) and capped.
- 5" and 6" SPS parts require double swages.

f—Machine Finish



Ordering Information

AFL NO.	S.P.S.	DIMENSIONS IN INCHES		DIE SIZE	VOLTAGE RATING (kV)
		A	B		
SWPSV100-3-AA	1	6.00	3.00	65TD100	230
SWPSV100-5-AA	1	6.00	5.00	65TD100	230
SWPSV150-3-AA	1.5	5.98	3.00	65TD150	230
SWPSV150-5-AA	1.5	5.98	5.00	65TD150	230
SWPSV200-3-AA	2	5.97	3.00	65TD200	230
SWPSV200-5-AA	2	5.97	5.00	65TD200	230
SWPSV250-3-AA	2.5	6.04	3.00	65TD250	230
SWPSV250-5-AA	2.5	6.04	5.00	65TD250	230
SWPSV300-3-AA	3	6.49	3.00	65TD300	345
SWPSV300-5-AA	3	6.86	5.00	65TD300	345
SWPSV300-7-AA	3	6.86	7.00	65TD300	345
SWPSV350-3-AA	3.5	6.74	3.00	65TD350	345
SWPSV350-5-AA	3.5	7.11	5.00	65TD350	345
SWPSV350-7-AA	3.5	7.11	7.00	65TD350	345
SWPSV400-3-AA	4	6.74	3.00	65TD400	345
SWPSV400-5-AA	4	7.11	5.00	65TD400	345
SWPSV400-7-AA	4	7.11	7.00	65TD400	345
SWPSV500-5-AA	5	9.26	5.00	85TD500	345
SWPSV500-7-AA	5	9.26	7.00	85TD500	345
SWPSV600-5-AA	6	12.14	5.00	115TD600	345
SWPSV600-7-AA	6	12.14	7.00	115TD600	345