

TYPE SWT-AA, SWTS-AA Swage Bus Run to Bus Tee

A Swage type bus run to bus tee. Run pipe available in solid pipe or split pipe configuration.

Material

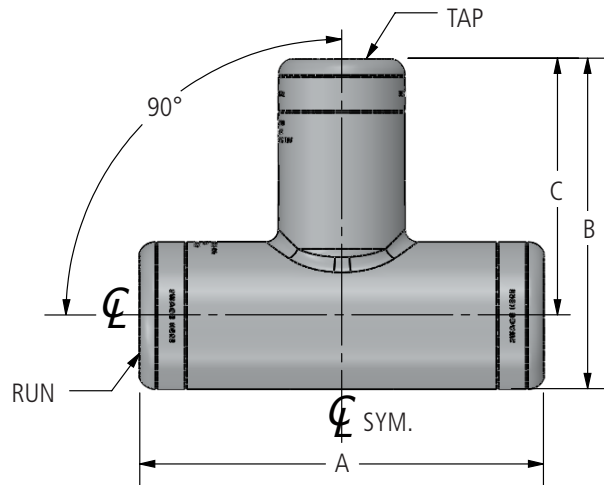
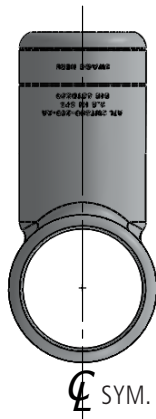
Aluminum Alloy

Notes

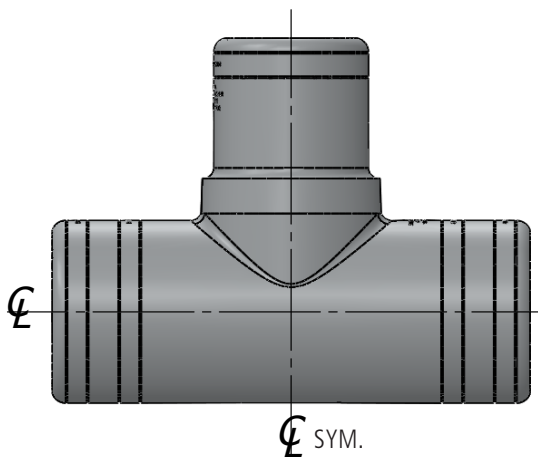
- Bore will be lined with AFL Filler compound (AFC) and capped.
- 5" and 6" S.P.S. parts require double swages.



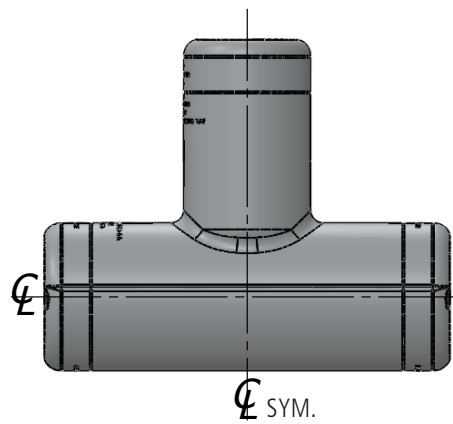
TEE/TEE CONNECTORS



**SOLID PIPE
1-4" SPS**



**SOLID PIPE
5-6" SPS**



**SPLIT PIPE
1-4" SPS**

continued
→

TYPE SWT-AA, SWTS-AA

Swage Bus Run to Bus Tee

Ordering Information

AFL NO.		S.P.S.		DIMENSIONS IN INCHES			DIE SIZE		VOLTAGE RATING (kV)
SOLID PIPE	SPLIT PIPE	RUN	TAP	A	B	C	RUN	TAP	
SWT100-100-AA	SWTS100-100-AA	1	1	10.00	6.75	5.75	65TD100	65TD100	230
SWT150-100-AA	SWTS150-100-AA	1.5	1	10.00	7.25	6.00	65TD150	65TD100	230
SWT150-150-AA	SWTS150-150-AA	1.5	1.5	10.00	7.50	6.25	65TD150	65TD150	230
SWT200-100-AA	SWTS200-100-AA	2	1	10.00	7.75	6.25	65TD200	65TD100	230
SWT200-150-AA	SWTS200-150-AA	2	1.5	10.00	7.75	6.25	65TD200	65TD150	230
SWT200-200-AA	SWTS200-200-AA	2	2	10.00	7.75	6.25	65TD200	65TD200	230
SWT250-100-AA	SWTS250-100-AA	2.5	1	10.00	8.50	6.62	65TD250	65TD100	230
SWT250-150-AA	SWTS250-150-AA	2.5	1.5	10.00	8.50	6.62	65TD250	65TD150	230
SWT250-200-AA	SWTS250-200-AA	2.5	2	10.00	8.50	6.62	65TD250	65TD200	230
SWT250-250-AA	SWTS250-250-AA	2.5	2.5	12.00	8.75	6.87	65TD250	65TD250	230
SWT300-100-AA	SWTS300-100-AA	3	1	12.00	9.13	6.94	65TD300	65TD100	230
SWT300-150-AA	SWTS300-150-AA	3	1.5	12.00	9.13	6.94	65TD300	65TD150	230
SWT300-200-AA	SWTS300-200-AA	3	2	12.00	9.13	6.94	65TD300	65TD200	230
SWT300-250-AA	SWTS300-250-AA	3	2.5	12.00	9.37	7.18	65TD300	65TD250	500
SWT300-300-AA	SWTS300-300-AA	3	3	12.00	10.37	8.18	65TD300	65TD300	500
SWT350-200-AA	SWTS350-200-AA	3.5	2	12.00	9.75	7.25	65TD350	65TD200	230
SWT350-250-AA	SWTS350-250-AA	3.5	2.5	12.00	10.00	7.50	65TD350	65TD250	500
SWT350-300-AA	SWTS350-300-AA	3.5	3	12.00	11.00	8.50	65TD350	65TD300	500
SWT350-350-AA	SWTS350-350-AA	3.5	3.5	12.00	11.00	8.50	65TD350	65TD350	500
SWT400-200-AA	SWTS400-200-AA	4	2	12.00	10.25	7.50	65TD400	65TD200	230
SWT400-250-AA	SWTS400-250-AA	4	2.5	12.00	10.50	7.75	65TD400	65TD250	500
SWT400-300-AA	SWTS400-300-AA	4	3	12.00	11.50	8.75	65TD400	65TD300	500
SWT400-350-AA	SWTS400-350-AA	4	3.5	12.00	11.50	8.75	65TD400	65TD350	500
SWT400-400-AA	SWTS400-400-AA	4	4	12.00	12.00	9.25	65TD400	65TD400	500
SWT500-200-AA	SWTS500-200-AA	5	2	14.50	11.25	8.00	85TD500	65TD200	230
SWT500-250-AA	SWTS500-250-AA	5	2.5	17.00	11.50	8.25	85TD500	65TD250	500
SWT500-300-AA	SWTS500-300-AA	5	3	17.00	12.50	9.25	85TD500	65TD300	500
SWT500-350-AA	SWTS500-350-AA	5	3.5	17.00	12.50	9.25	85TD500	65TD350	500
SWT500-400-AA	SWTS500-400-AA	5	4	20.00	13.00	9.75	85TD500	65TD400	500
SWT500-500-AA	SWTS500-500-AA	5	5	20.00	15.00	11.75	85TD500	85TD500	500
SWT600-200-AA	SWTS600-200-AA	6	2	16.50	12.75	8.75	115TD600	65TD200	230
SWT600-250-AA	SWTS600-250-AA	6	2.5	16.50	13.00	9.00	115TD600	65TD250	500
SWT600-300-AA	SWTS600-300-AA	6	3	19.00	14.00	10.00	115TD600	65TD300	500
SWT600-350-AA	SWTS600-350-AA	6	3.5	19.00	14.00	10.00	115TD600	65TD350	500
SWT600-400-AA	SWTS600-400-AA	6	4	19.00	14.50	10.50	115TD600	65TD400	500
SWT600-500-AA	SWTS600-500-AA	6	5	22.00	16.50	12.50	115TD600	85TD500	500
SWT600-600-AA	SWTS600-600-AA	6	6	22.00	16.62	12.62	115TD600	115TD600	500

TEE/VEE CONNECTORS