

## TYPE SW2TC-AA Swage Bus to Two NEMA Pads

A Swage type bus with two NEMA pads.

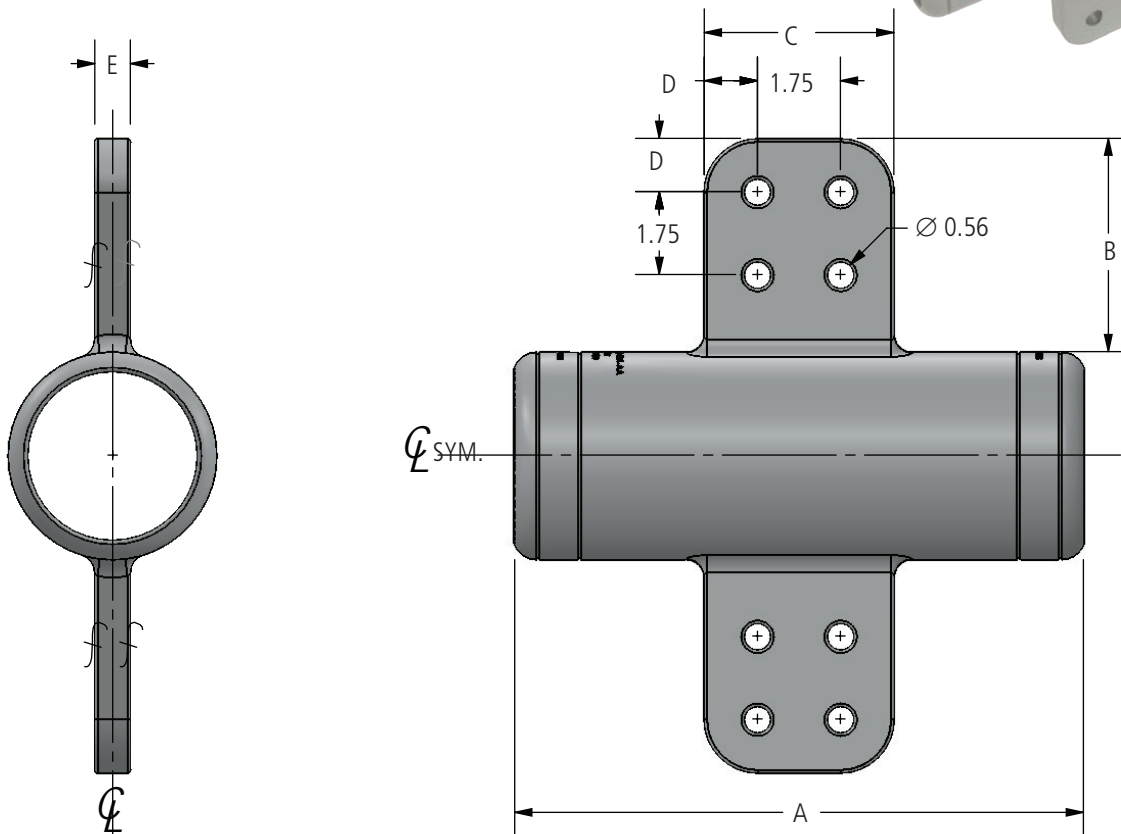
### Material

Aluminum Alloy

### Notes

- Bore will be lined with AFL Filler compound (AFC) and capped.
- 5" and 6" SPS parts require double swages.

*f*—Machine Finish



*continued*

## TYPE SW2TC-AA Swage Bus to Two NEMA Pads

### Ordering Information

TABLE 1

AFL NO.	S.P.S.	DIMENSIONS IN INCHES		DIE SIZE	VOLTAGE RATING (kV)
		A	E		
SW2TC100-YY-ZZ-AA	1	10.00	0.38	65TD100	230
SW2TC150-YY-ZZ-AA	1.5	10.00	0.50	65TD150	230
SW2TC200-YY-ZZ-AA	2	10.00	0.50	65TD200	230
SW2TC250-YY-ZZ-AA	2.5	10.00	0.63	65TD250	230
SW2TC300-YY-ZZ-AA	3	12.00	0.75	65TD300	500
SW2TC500-YY-ZZ-AA	3.5	12.00	0.75	65TD500	500
SW2TC400-YY-ZZ-AA	4	12.00	0.75	65TD400	500
SW2TC500-YY-ZZ-AA	5	17.00	1.00	85TD500	500
SW2TC600-YY-ZZ-AA	6	19.00	1.00	115TD600	500

TABLE 2

AFL NO.	DIMENSIONS IN INCHES	
	C	D
SW2TCXXX-4N-ZZ-AA	3.00	0.63
SW2TCXXX-4N4-ZZ-AA	4.00	1.13

TABLE 3

AFL NO.	DIMENSIONS IN INCHES
	B
SW2TCXXX-YY-4.5-AA	4.50 <sup>1</sup>
SW2TCXXX-YY-5.5-AA	5.50
SW2TCXXX-YY-7-AA	7.00
SW2TCXXX-YY-8-AA	8.00

<sup>1</sup> Pad length not available for 5" or 6" S.P.S.

### AFL No. Designation

