

TYPE SW2TCS-AA
Swage Split Bus to Two NEMA Pads

A Swage type split bus tap with two NEMA pads.

Material

Aluminum Alloy

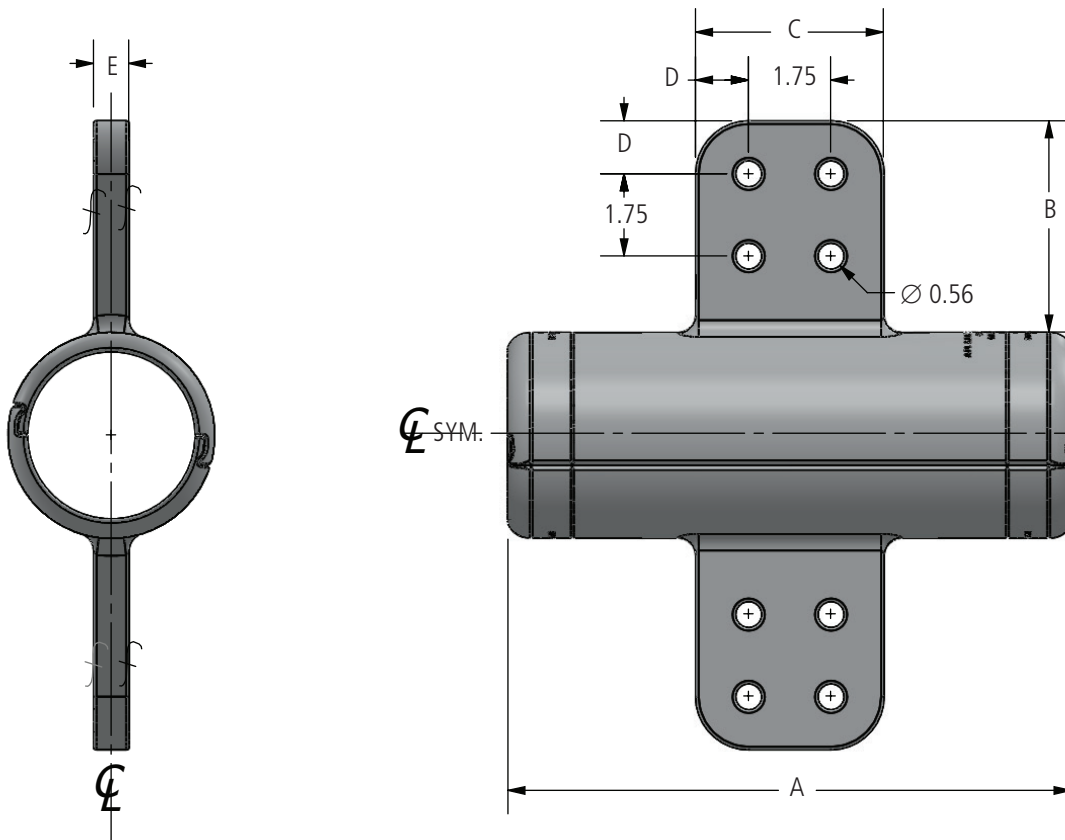
Notes

- Bore will be lined with AFL Filler compound (AFC) and capped.
- 5" and 6" SPS parts require double swages.

f—Machine Finish



SWAGE360® Bus Accessories



continued
→

TYPE SW2TCS-AA
Swage Split Bus to Two NEMA Pads

Ordering Information

TABLE 1

AFL NO.	S.P.S.	DIMENSIONS IN INCHES		DIE SIZE	VOLTAGE RATING (kV)
		A	E		
SW2TCS100-YY-ZZ-AA	1	10.00	0.38	65TD100	230
SW2TCS150-YY-ZZ-AA	1.5	10.00	0.50	65TD150	230
SW2TCS200-YY-ZZ-AA	2	10.00	0.50	65TD200	230
SW2TCS250-YY-ZZ-AA	2.5	10.00	0.63	65TD250	230
SW2TCS300-YY-ZZ-AA	3	12.00	0.75	65TD300	500
SW2TCS350-YY-ZZ-AA	3.5	12.00	0.75	65TD350	500
SW2TCS400-YY-ZZ-AA	4	12.00	0.75	65TD400	500
SW2TCS500-YY-ZZ-AA	5	17.00	1.00	85TD500	500
SW2TCS600-YY-ZZ-AA	6	19.00	1.00	115TD600	500

TABLE 2

AFL NO.	DIMENSIONS IN INCHES	
	C	D
SWTCXXX-2N-ZZ-AA	2.00	1.00
SW2TCSXXX-4N-ZZ-AA	3.00	0.63
SW2TCSXXX-4N4-ZZ-AA	4.00	1.13

TABLE 3

AFL NO.	DIMENSIONS IN INCHES
	B
SW2TCSXXX-YY-4.5-AA	4.50
SW2TCSXXX-YY-5.5-AA	5.50
SW2TCSXXX-YY-7-AA	7.00
SW2TCSXXX-YY-8-AA	8.00

AFL No. Designation

