

**TYPE SW2TFS-AA**  
**Swage Split Bus to Two Transverse NEMA Pads**

A Swage type split bus tap with two transverse NEMA pads.

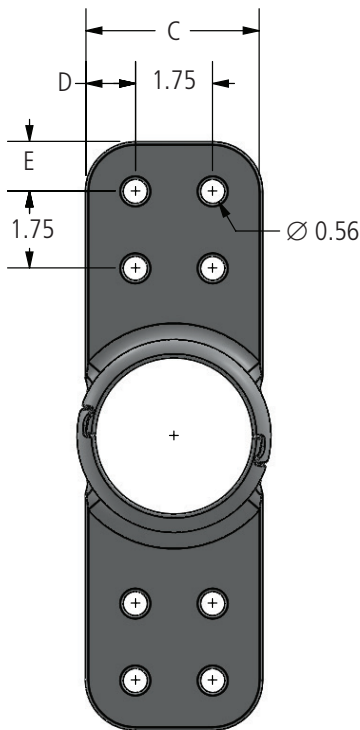
**Material**

Aluminum Alloy

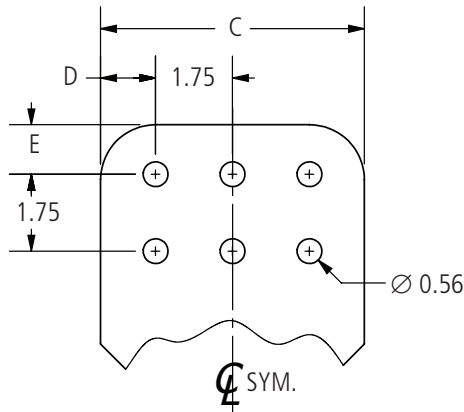
**Notes**

- Bore will be lined with AFL Filler compound (AFC) and capped.
- 5" and 6" SPS parts require double swages.

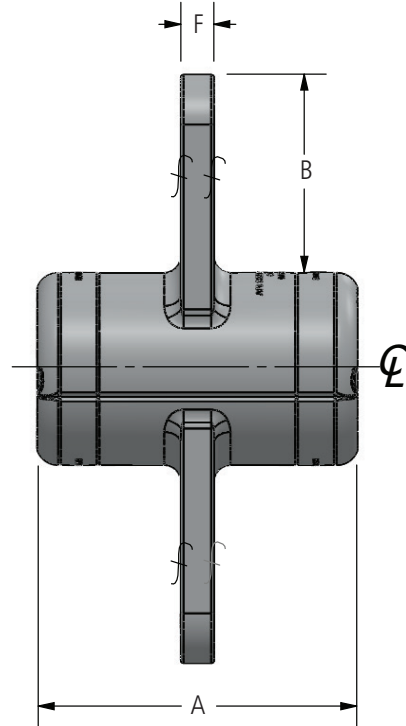
*f*—Machine Finish



**Pad Detail 1**



**Pad Detail 2**



*continued*  
→

## TYPE SW2TFS-AA

### Swage Split Bus to Two Transverse NEMA Pads

#### Ordering Information

TABLE 1

AFL NO.	S.P.S.	DIMENSIONS IN INCHES		DIE SIZE	VOLTAGE RATING (kV)
		A	F		
SW2TFS100-YY-ZZ-AA	1	6.00	0.38	65TD100	230
SW2TFS150-YY-ZZ-AA	1.5	6.00	0.50	65TD150	230
SW2TFS200-YY-ZZ-AA	2	6.00	0.50	65TD200	230
SW2TFS250-YY-ZZ-AA	2.5	6.00	0.63	65TD250	230
SW2TFS300-YY-ZZ-AA	3	7.25	0.75	65TD300	500
SW2TFS350-YY-ZZ-AA	3.5	8.25	0.75	65TD350	500
SW2TFS400-YY-ZZ-AA	4	9.25	0.75	65TD400	500
SW2TFS500-YY-ZZ-AA	5	13.00	1.00	85TD500	500
SW2TFS600-YY-ZZ-AA	6	15.00	1.00	115TD600	500

TABLE 2

AFL NO.	PAD DETAIL	DIMENSIONS IN INCHES		
		C	D	E
SW2TFSXXX-4N-ZZ-AA	1	3.00	0.63	0.63
SW2TFSXXX-4N4-ZZ-AA	1	4.00	1.13	1.13
SW2TFSXXX-5N4-ZZ-AA	2	5.00	0.75	1.13
SW2TFSXXX-6N4-ZZ-AA	2	6.00	1.25	1.13

TABLE 3

AFL NO.	DIMENSIONS IN INCHES
	B
SW2TFSXXX-YY-4.5-AA	4.50
SW2TFSXXX-YY-5.5-AA	5.50
SW2TFSXXX-YY-6.5-AA	6.50
SW2TFSXXX-YY-7-AA	7.00
SW2TFSXXX-YY-8-AA	8.00

#### AFL No. Designation

