

TYPE SWTCS-AA
Swage Split Bus to NEMA Pad

A Swage type split bus tap with a NEMA pad.

Material

Aluminum Alloy

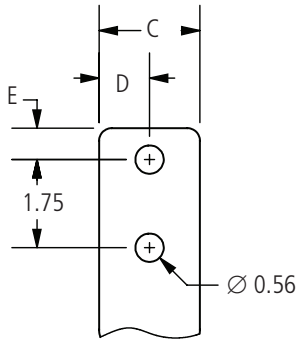
Notes

- Bore will be lined with AFL Filler compound (AFC) and capped.
- 5" and 6" SPS parts require double swages.

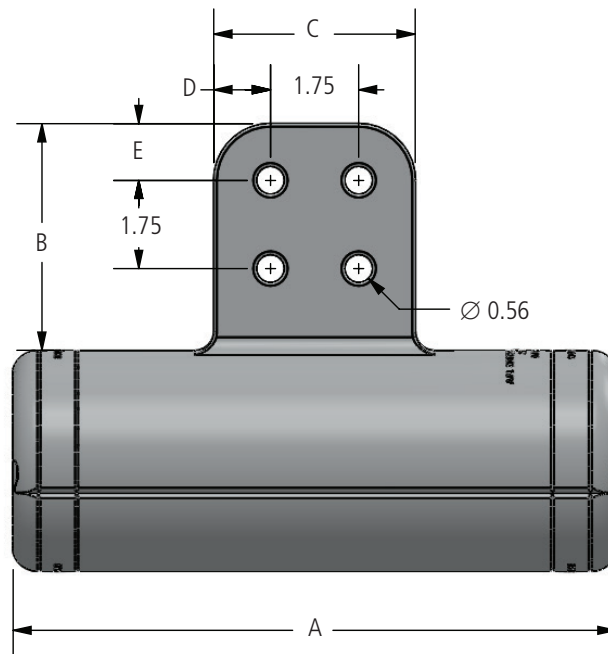
f—Machine Finish



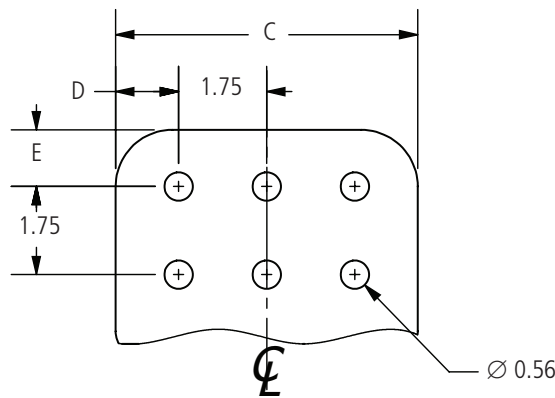
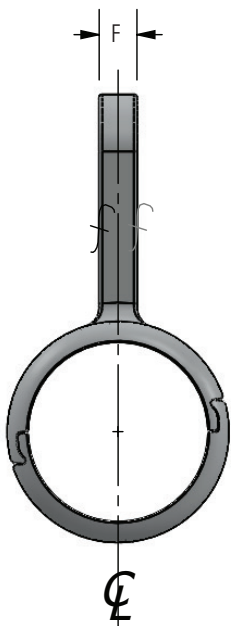
SWAGE360® Bus Accessories



Pad Detail 1



Pad Detail 2



Pad Detail 3

continued
→

TYPE SWTCS-AA
Swage Split Bus to NEMA Pad

Ordering Information

TABLE 1

| AFL NO. | S.P.S. | DIMENSIONS IN INCHES | | | | | | DIE SIZE | VOLTAGE RATING (kV)* |
|----------------------|--------|----------------------|-------|-------|-------|-------|------|----------|----------------------|
| | | A | | | | | F | | |
| | | 2N | 4N | 4N4 | 5N4 | 6N4 | | | |
| SWTCS100-YY-ZZ-AA | 1 | 6.00 | 10.00 | 10.00 | 10.00 | 12.00 | 0.38 | 65TD100 | 230 |
| SWTCS150-YY-ZZ-AA | 1.5 | 6.00 | 10.00 | 10.00 | 10.00 | 12.00 | 0.50 | 65TD150 | 230 |
| SWTCS200-YY-ZZ-AA | 2 | 6.00 | 10.00 | 10.00 | 10.00 | 12.00 | 0.50 | 65TD200 | 230 |
| SWTCS250-YY-ZZ-AA | 2.5 | 6.00 | 10.00 | 10.00 | 10.00 | 12.00 | 0.63 | 65TD250 | 230 |
| SWTCS300-YY-ZZ-AA | 3 | 7.25 | 12.00 | 12.00 | 12.00 | 12.00 | 0.75 | 65TD300 | SEE TABLE 2 |
| SWTCS350-YY-ZZ-AA | 3.5 | 8.25 | 12.00 | 12.00 | 12.00 | 12.00 | 0.75 | 65TD350 | SEE TABLE 2 |
| SWTCS400-YY-ZZ-AA | 4 | 9.25 | 12.00 | 12.00 | 12.00 | 12.00 | 0.75 | 65TD400 | SEE TABLE 2 |
| SWTCS400-YY-T1-ZZ-AA | 4 | 9.25 | 12.00 | 12.00 | 12.00 | 12.00 | 1.00 | 65TD400 | SEE TABLE 2 |
| SWTCS500-YY-ZZ-AA | 5 | — | — | 17.00 | 17.00 | 17.00 | 1.00 | 85TD500 | SEE TABLE 2 |
| SWTCS600-YY-ZZ-AA | 6 | — | — | 19.00 | 19.00 | 19.00 | 1.00 | 115TD600 | SEE TABLE 2 |

TABLE 2

| AFL NO. | PAD DETAIL | DIMENSIONS IN INCHES | | | VOLTAGE RATING (kV)* |
|--------------------|------------|----------------------|------|------|----------------------|
| | | C | D | E | |
| SWTCSXXX-2N-ZZ-AA | 1 | 2.00 | 1.00 | 0.63 | 230 |
| SWTCSXXX-4N-ZZ-AA | 2 | 3.00 | 0.63 | 0.63 | 230 |
| SWTCSXXX-4N4-ZZ-AA | 2 | 4.00 | 1.13 | 1.13 | 500 |
| SWTCSXXX-5N4-ZZ-AA | 3 | 5.00 | 0.75 | 1.13 | 500 |
| SWTCSXXX-6N4-ZZ-AA | 3 | 6.00 | 1.25 | 1.13 | 500 |

* Pipe size 2.5 S.P.S. and smaller are rated for 230 kV. Pipe size 3 S.P.S. and larger, voltage rating is determined by pad size.

TABLE 3

| AFL NO. | DIMENSIONS IN INCHES |
|--------------------|----------------------|
| | B |
| SWTCSXXX-YY-4.5-AA | 4.50 ¹ |
| SWTCSXXX-YY-5.5-AA | 5.50 |
| SWTCSXXX-YY-7-AA | 7.00 |
| SWTCSXXX-YY-8-AA | 8.00 |

AFL No. Designation

