

**TYPE SWTF-AA**  
Swage Bus to Transverse NEMA Pad

A Swage type bus tap with a single transverse NEMA pad.

**Material**  
Aluminum Alloy

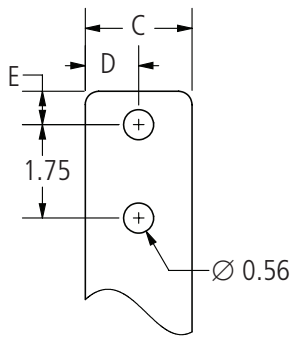
**Notes**

- Bore will be lined with AFL Filler compound (AFC) and capped.
- 5" and 6" SPS parts require double swages.

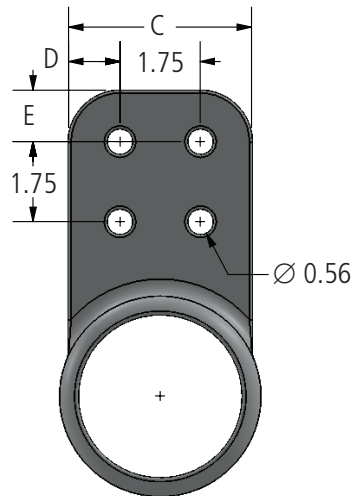
*f*—Machine Finish



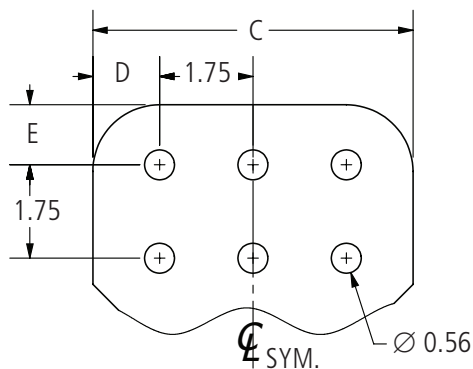
SWAGE360® Bus Accessories



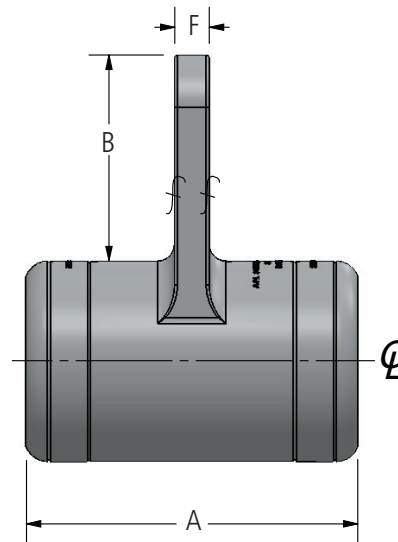
Pad Detail 1



Pad Detail 2



Pad Detail 3



*continued*  
→

**TYPE SWTF-AA**  
Swage Bus to Transverse NEMA Pad

**Ordering Information**

TABLE 1

AFL NO.	S.P.S.	DIMENSIONS IN INCHES		DIE SIZE	VOLTAGE RATING (kV)*
		A	F		
SWTF100-YY-ZZ-AA	1	6.00	0.38	65TD100	230
SWTF150-YY-ZZ-AA	1.5	6.00	0.50	65TD150	230
SWTF200-YY-ZZ-AA	2	6.00	0.50	65TD200	230
SWTF250-YY-ZZ-AA	2.5	6.00	0.63	65TD250	230
SWTF300-YY-ZZ-AA	3	7.25	0.75	65TD300	See Table 2
SWTF350-YY-ZZ-AA	3.5	8.25	0.75	65TD350	See Table 2
SWTF400-YY-ZZ-AA	4	9.25	0.75	65TD400	See Table 2
SWTF500-YY-ZZ-AA	5	13.00	1.00	85TD500	See Table 2
SWTF600-YY-ZZ-AA	6	15.00	1.00	115TD600	See Table 2

\* Pipe size 2.5 S.P.S. and smaller are rated for 230 kV. Pipe size 3 S.P.S. and larger, voltage rating is determined by pad size.

TABLE 2

AFL NO.	PAD DETAIL	DIMENSIONS IN INCHES			VOLTAGE RATING (kV)*
		C	D	E	
SWTFXXX-2N-ZZ-AA	1	2.00	1.00	0.63	230
SWTFXXX-4N-ZZ-AA	2	3.00	0.63	0.63	500
SWTFXXX-4N4-ZZ-AA	2	4.00	1.13	1.13	500
SWTFXXX-5N4-ZZ-AA	3	5.00	0.75	1.13	500
SWTFXXX-6N4-ZZ-AA	3	6.00	1.25	1.13	500

TABLE 3

AFL NO.	DIMENSIONS IN INCHES
	B
SWTFXXX-YY-4.5-AA	4.50
SWTFXXX-YY-5.5-AA	5.50
SWTFXXX-YY-6.5-AA	6.50
SWTFXXX-YY-7-AA	7.00
SWTFXXX-YY-8-AA	8.00
SWTFXXX-YY-9-AA	9.00

**AFL No. Designation**

