

TYPE SWTPA-45R-AA Swage Bus Terminal with 45-degree Pad

A Swage type bus terminal with a 45-Degree NEMA pad.

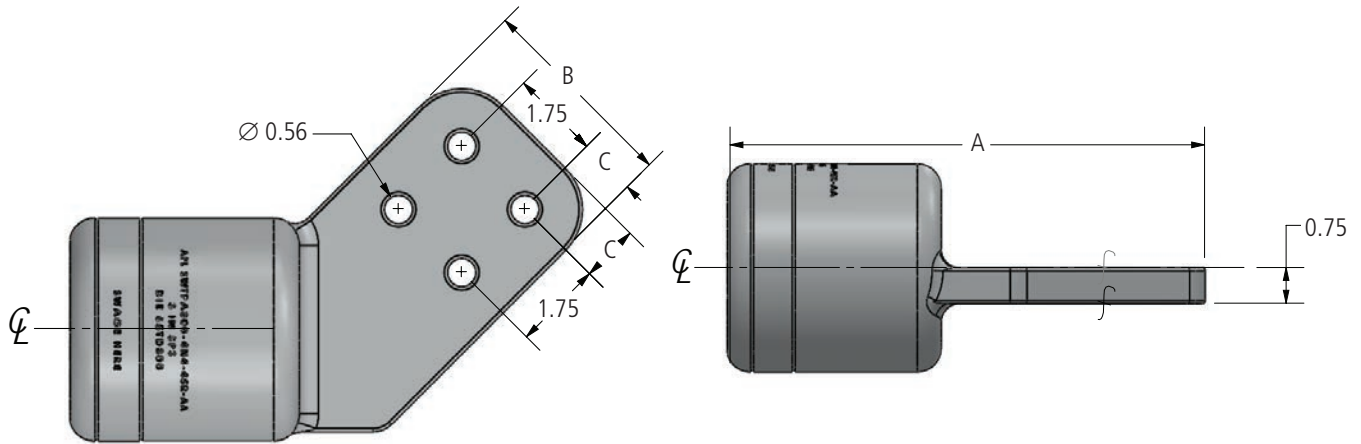
Material

Aluminum Alloy

Notes

- Bore will be lined with AFL Filler compound (AFC) and capped.

f—Machine Finish



Ordering Information

AFL NO.	S.P.S.	DIMENSIONS IN INCHES			DIE SIZE	VOLTAGE RATING (kV)
		A	B	C		
SWTPA100-4N-45R-AA	1	6.54	3.00	0.63	65TD100	230
SWTPA100-4N4-45R-AA	1	7.74	4.00	1.13	65TD100	230
SWTPA150-4N-45R-AA	1.5	6.72	3.00	0.63	65TD150	230
SWTPA150-4N4-45R-AA	1.5	7.92	4.00	1.13	65TD150	230
SWTPA200-4N-45R-AA	2	7.72	3.00	0.63	65TD200	230
SWTPA200-4N4-45R-AA	2	8.42	4.00	1.13	65TD200	230
SWTPA250-4N-45R-AA	2.5	8.09	3.00	0.63	65TD250	230
SWTPA250-4N4-45R-AA	2.5	9.29	4.00	1.13	65TD250	230
SWTPA300-4N-45R-AA	3	8.84	3.00	0.63	65TD300	345
SWTPA300-4N4-45R-AA	3	10.04	4.00	1.13	65TD300	345
SWTPA350-4N-45R-AA	3.5	8.97	3.00	0.63	65TD350	500
SWTPA350-4N4-45R-AA	3.5	10.17	4.00	1.13	65TD350	500
SWTPA400-4N-45R-AA	4	9.22	3.00	0.63	65TD400	500
SWTPA400-4N4-45R-AA	4	10.42	4.00	1.13	65TD400	500