

TYPE SWTPA-90-AA Swage Vertical Bus Terminal

A Swage type bus vertical terminal.

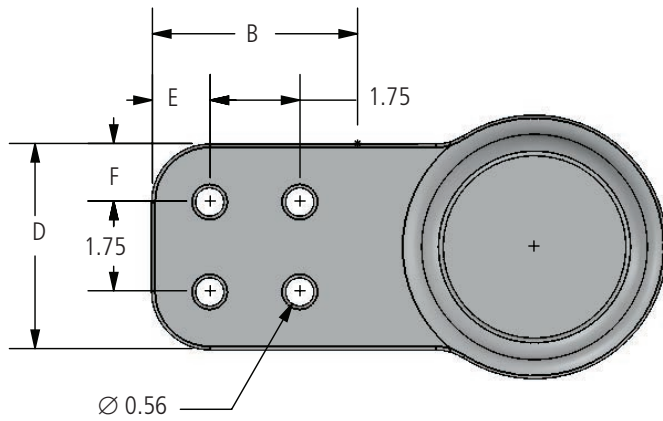
Material

Aluminum Alloy

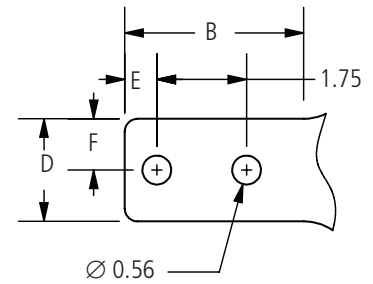
Notes

- Bore will be lined with AFL Filler compound (AFC) and capped.
- 5" and 6" SPS parts require double swages.

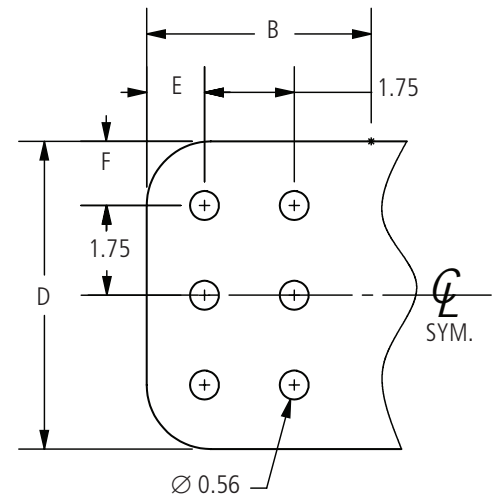
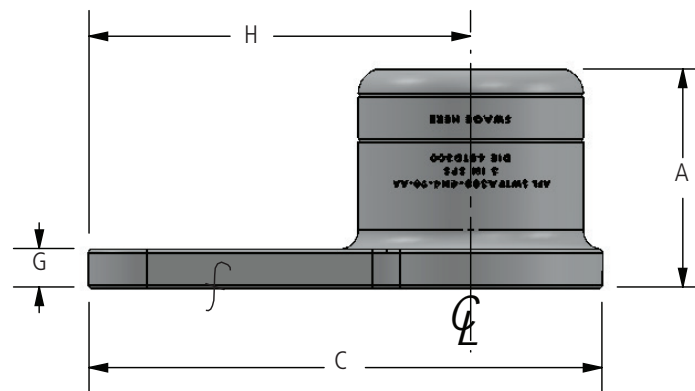
f—Machine Finish



Pad Detail 2



Pad Detail 1



Pad Detail 3

continued
→

TYPE SWTPA-90-AA Swage Vertical Bus Terminal

Ordering Information

AFL NO.	S.P.S.	PAD DETAIL	DIMENSIONS IN INCHES								DIE SIZE	VOLTAGE RATING (kV)
			A	B	C	D	E	F	G	H		
SWTPA100-2N-90-AA	1	1	3.88	3.00	6.50	2.00	0.63	1.00	0.38	5.13	65TD100	230
SWTPA100-4N-90-AA	1	2	3.88	3.00	6.50	3.00	0.63	0.63	0.38	5.13	65TD100	230
SWTPA100-4N4-90-AA	1	2	3.88	4.00	8.50	4.00	1.13	1.13	0.38	7.13	65TD100	230
SWTPA150-2N-90-AA	1.5	1	4.00	3.00	7.00	2.00	0.63	1.00	0.50	5.38	65TD150	230
SWTPA150-4N-90-AA	1.5	2	4.00	3.00	7.00	3.00	0.63	0.63	0.50	5.38	65TD150	230
SWTPA150-4N4-90-AA	1.5	2	4.00	4.00	8.50	4.00	1.13	1.13	0.50	6.88	65TD150	230
SWTPA200-2N-90-AA	2	1	4.00	3.00	7.50	2.00	0.63	1.00	0.50	5.63	65TD200	230
SWTPA200-4N-90-AA	2	2	4.00	3.00	7.50	3.00	0.63	0.63	0.50	5.63	65TD200	230
SWTPA200-4N4-90-AA	2	2	4.00	4.00	8.50	4.00	1.13	1.13	0.50	6.63	65TD200	230
SWTPA250-2N-90-AA	2.5	1	4.13	3.00	8.00	2.00	0.63	1.00	0.63	5.75	65TD250	230
SWTPA250-4N-90-AA	2.5	2	4.13	3.00	8.00	3.00	0.63	0.63	0.63	5.75	65TD250	230
SWTPA250-4N4-90-AA	2.5	2	4.13	4.00	9.00	4.00	1.13	1.13	0.63	6.75	65TD250	230
SWTPA250-5N4-90-AA	2.5	3	4.13	4.00	9.50	5.00	1.13	0.75	0.63	7.25	65TD250	230
SWTPA250-6N4-90-AA	2.5	3	4.13	4.00	10.50	6.00	1.13	1.25	0.63	8.25	65TD250	230
SWTPA300-2N-90-AA	3	1	4.25	3.00	9.00	2.00	0.63	1.00	0.75	6.43	65TD300	230
SWTPA300-4N-90-AA	3	2	4.25	3.00	9.00	3.00	0.63	0.63	0.75	6.43	65TD300	230
SWTPA300-4N4-90-AA	3	2	4.25	4.00	10.00	4.00	1.13	1.13	0.75	7.43	65TD300	230
SWTPA300-5N4-90-AA	3	3	4.25	4.00	10.00	5.00	1.13	0.75	0.75	7.43	65TD300	230
SWTPA300-6N4-90-AA	3	3	4.25	4.00	10.50	6.00	1.13	1.25	0.75	7.93	65TD300	230
SWTPA350-2N-90-AA	3.5	1	4.25	3.00	9.50	2.00	0.63	1.00	0.75	6.63	65TD350	345
SWTPA350-4N-90-AA	3.5	2	4.25	3.00	9.50	3.00	0.63	0.63	0.75	6.63	65TD350	345
SWTPA350-4N4-90-AA	3.5	2	4.25	4.00	10.50	4.00	1.13	1.13	0.75	7.63	65TD350	345
SWTPA350-5N4-90-AA	3.5	3	4.25	4.00	10.50	5.00	1.13	0.75	0.75	7.63	65TD350	345
SWTPA350-6N4-90-AA	3.5	3	4.25	4.00	10.50	6.00	1.13	1.25	0.75	7.63	65TD350	345
SWTPA400-2N-90-AA	4	1	4.25	3.00	10.00	2.00	0.63	1.00	0.75	6.88	65TD400	345
SWTPA400-4N-90-AA	4	2	4.25	3.00	10.00	3.00	0.63	0.63	0.75	6.88	65TD400	345
SWTPA400-4N4-90-AA	4	2	4.25	4.00	11.00	4.00	1.13	1.13	0.75	7.88	65TD400	345
SWTPA400-5N4-90-AA	4	3	4.25	4.00	11.00	5.00	1.13	0.75	0.75	7.88	65TD400	345
SWTPA400-6N4-90-AA	4	3	4.25	4.00	11.00	6.00	1.13	1.25	0.75	7.88	65TD400	345
SWTPA500-4N4-90-AA	5	2	7.48	4.24	11.24	4.00	1.13	1.13	1.00	8.00	85TD500	345
SWTPA500-5N4-90-AA	5	3	7.48	4.24	11.24	5.00	1.13	0.75	1.00	8.00	85TD500	345
SWTPA500-6N4-90-AA	5	3	7.48	4.24	11.24	6.00	1.13	1.25	1.00	8.00	85TD500	345
SWTPA600-4N4-90-AA	6	2	10.35	4.24	12.74	4.00	1.13	1.13	1.00	8.74	115TD600	345
SWTPA600-5N4-90-AA	6	3	10.35	4.24	12.74	5.00	1.13	0.75	1.00	8.74	115TD600	345
SWTPA600-6N4-90-AA	6	3	10.35	4.24	12.74	6.00	1.13	1.25	1.00	8.74	115TD600	345