

TYPE SWTPC-AA Swage Terminal with a NEMA Pad

A Swage type bus terminal designed to terminate bus.

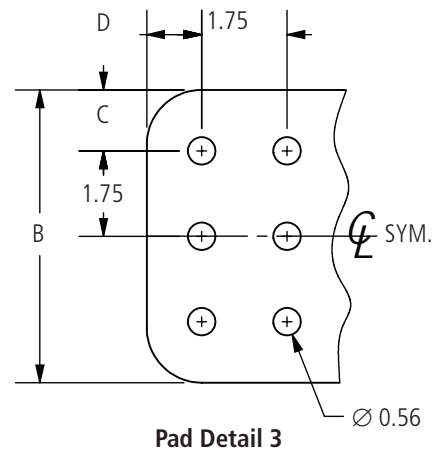
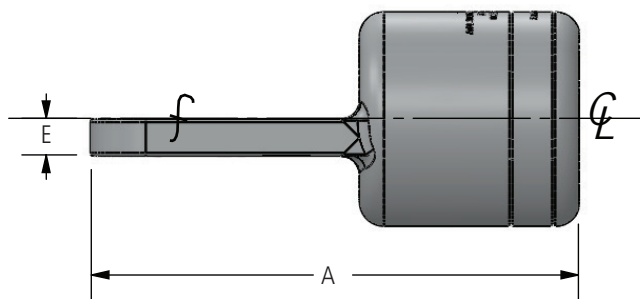
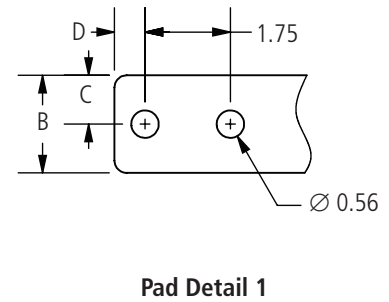
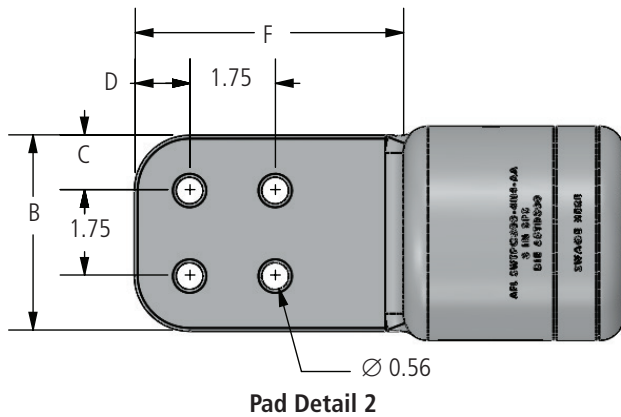
Material

Aluminum Alloy

Notes

- Bore will be lined with AFL Filler compound (AFC) and capped.
- 5" and 6" SPS parts require double swages.

f—Machine Finish



continued
→

TYPE SWTPC-AA Swage Terminal with a NEMA Pad

Ordering Information

AFL NO.	S.P.S.	PAD DETAIL	DIMENSIONS IN INCHES						DIE SIZE	VOLTAGE RATING (kV)
			A	B	C	D	E	F		
SWTPC100-2N-AA	1	1	7.20	2.00	1.00	0.63	0.38	4.50	65TD100	230
SWTPC100-4N-AA	1	2	7.20	3.00	0.63	0.63	0.38	4.50	65TD100	230
SWTPC100-4N4-AA	1	2	8.20	4.00	1.13	1.13	0.38	5.50	65TD100	230
SWTPC150-2N-AA	1.5	1	7.38	2.00	1.00	0.63	0.50	4.50	65TD150	230
SWTPC150-4N-AA	1.5	2	7.38	3.00	0.63	0.63	0.50	4.50	65TD150	230
SWTPC150-4N4-AA	1.5	2	8.38	4.00	1.13	1.13	0.50	5.50	65TD150	230
SWTPC200-2N-AA	2	1	7.88	2.00	1.00	0.63	0.50	4.50	65TD200	230
SWTPC200-4N-AA	2	2	7.88	3.00	0.63	0.63	0.50	4.50	65TD200	230
SWTPC200-4N4-AA	2	2	8.88	4.00	1.13	1.13	0.50	5.50	65TD200	230
SWTPC250-2N-AA	2.5	1	8.25	2.00	1.00	0.63	0.63	4.50	65TD250	230
SWTPC250-4N-AA	2.5	2	8.25	3.00	0.63	0.63	0.63	4.50	65TD250	230
SWTPC250-4N4-AA	2.5	2	9.25	4.00	1.13	1.13	0.63	5.50	65TD250	230
SWTPC300-2N-AA	3	1	9.00	2.00	1.00	0.63	0.75	4.50	65TD300	230
SWTPC300-4N-AA	3	2	9.00	3.00	0.63	0.63	0.75	4.50	65TD300	345
SWTPC300-4N4-AA	3	2	10.00	4.00	1.13	1.13	0.75	5.50	65TD300	345
SWTPC300-5N4-AA	3	3	10.00	5.00	0.75	1.13	0.75	5.50	65TD300	345
SWTPC300-6N4-AA	3	3	10.00	6.00	1.25	1.13	0.75	5.50	65TD300	345
SWTPC350-2N-AA	3.5	1	9.12	2.00	1.00	0.63	0.75	4.50	65TD350	230
SWTPC350-4N-AA	3.5	2	9.12	3.00	0.63	0.63	0.75	4.50	65TD350	500
SWTPC350-4N4-AA	3.5	2	10.12	4.00	1.13	1.13	0.75	5.50	65TD350	500
SWTPC350-5N4-AA	3.5	3	10.12	5.00	0.75	1.13	0.75	5.50	65TD350	500
SWTPC350-6N4-AA	3.5	3	10.12	6.00	1.25	1.13	0.75	5.50	65TD350	500
SWTPC400-2N-AA	4	1	9.38	2.00	1.00	0.63	0.75	4.50	65TD400	230
SWTPC400-4N-AA	4	2	9.38	3.00	0.63	0.63	0.75	4.50	65TD400	500
SWTPC400-4N4-AA	4	2	10.38	4.00	1.13	1.13	0.75	5.50	65TD400	500
SWTPC400-5N4-AA	4	3	10.38	5.00	0.75	1.13	0.75	5.50	65TD400	500
SWTPC400-6N4-AA	4	3	10.38	6.00	1.25	1.13	0.75	5.50	65TD400	500
SWTPC500-4N4-AA	5	2	12.47	4.00	1.13	1.13	1.13	5.00	85TD500	500
SWTPC500-5N4-AA	5	3	12.47	5.00	0.75	1.13	1.13	5.00	85TD500	500
SWTPC500-6N4-AA	5	3	12.47	6.00	1.25	1.13	1.13	5.00	85TD500	500
SWTPC600-4N4-AA	6	2	13.23	4.00	1.13	1.13	1.13	5.00	115TD600	500
SWTPC600-5N4-AA	6	3	13.23	5.00	0.75	1.13	1.13	5.00	115TD600	500
SWTPC600-6N4-AA	6	3	13.23	6.00	1.25	1.13	1.13	5.00	115TD600	500