

TYPE SW2CS-AA Swage Double Cable Support

A Swage type double cable support.

Material

Aluminum Alloy

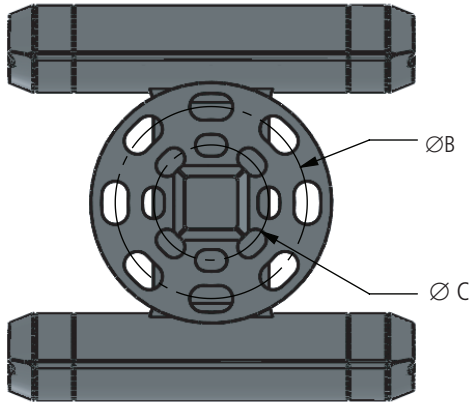
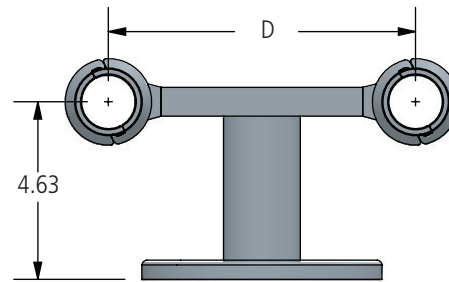
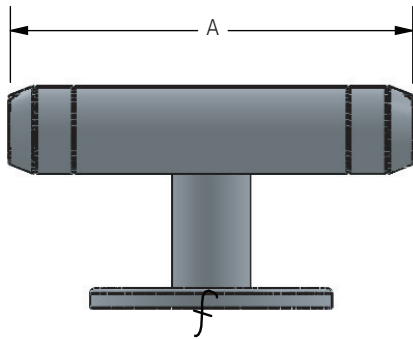
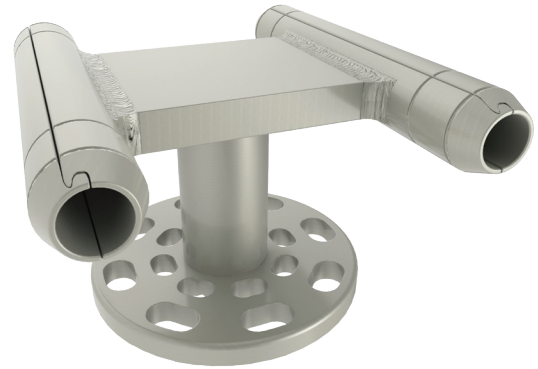
Mounting Hardware

Galvanized Steel Bolts and Lockwashers

Notes

- Bore will be lined with AFL Filler compound (AFC) and capped.

f—Machine Finish



continued
→

TYPE SW2CS-AA Swage Double Cable Support

Ordering Information

AFL NO.	CABLE RANGE		DIMENSIONS IN INCHES				DIE SIZE
	AAC	ACSR	A	B	C	D	
SW2CS1613-8-3/5-AA	2/0	1/0	9.00	5.00	3.00	8.00	45TD16
SW2CS1613-8-5/7-AA			9.00	7.00	5.00	8.00	45TD16
SW2CS1625-8-3/5-AA	250	4/0	9.00	5.00	3.00	8.00	45TD16
SW2CS1625-8-5/7-AA			9.00	7.00	5.00	8.00	45TD16
SW2CS2026-8-3/5-AA	266.8	266.8 (18/1)	9.00	5.00	3.00	8.00	45TD20
SW2CS2026-8-5/7-AA			9.00	7.00	5.00	8.00	45TD20
SW2CS2030-8-3/5-AA	300	266.8 (26/7)	9.00	5.00	3.00	8.00	45TD20
SW2CS2030-8-5/7-AA			9.00	7.00	5.00	8.00	45TD20
SW2CS2035-8-3/5-AA	336.4, 350	300 (26/7), 336.4 (18/1)	9.00	5.00	3.00	8.00	45TD20
SW2CS2035-8-5/7-AA			9.00	7.00	5.00	8.00	45TD20
SW2CS2039-8-3/5-AA	397.5	336.4 (26/7), 336.4 (30/7), 397.5 (18/1)	9.00	5.00	3.00	8.00	45TD20
SW2CS2039-8-5/7-AA			9.00	7.00	5.00	8.00	45TD20
SW2CS2445-8-3/5-AA	450	397.5 (24/7), 397.5 (26/7)	9.13	5.00	3.00	8.00	45TD24
SW2CS2445-8-5/7-AA			9.13	7.00	5.00	8.00	45TD24
SW2CS2447-8-5/7-AA	477	397.5 (30/7)	9.13	7.00	5.00	8.00	45TD24
SW2CS2447-8-3/5-AA			9.13	5.00	3.00	8.00	45TD24
SW2CS2450-8-3/5-AA	500	477 (18/1)	9.13	5.00	3.00	8.00	45TD24
SW2CS2450-8-5/7-AA			9.13	7.00	5.00	8.00	45TD24
SW2CS2455-8-3/5-AA	556.5	477 (24/7), 477 (26/7)	9.13	5.00	3.00	8.00	45TD24
SW2CS2455-8-5/7-AA			9.13	7.00	5.00	8.00	45TD24
SW2CS2860-8-3/5-AA	600	477 (30/7), 556.5 (18/1)	10.00	5.00	3.00	8.00	45TD28
SW2CS2860-8-5/7-AA			10.00	7.00	5.00	8.00	45TD28
SW2CS2863-8-3/5-AA	636	556.5 (24/7), 556.5 (26/7)	10.00	5.00	3.00	8.00	45TD28
SW2CS2863-8-5/7-AA			10.00	7.00	5.00	8.00	45TD28
SW2CS2871-8-3/5-AA	700, 715.5	556.5 (30/7), 605 (24/7), 605 (26/7), 636 (18/1), 636 (36/1)	10.00	5.00	3.00	8.00	45TD28
SW2CS2871-8-5/7-AA			10.00	7.00	5.00	8.00	45TD28
SW2CS3075-8-3/5-AA	750	605 (30/7), 605 (30/19), 636 (24/7), 636 (26/7)	10.00	5.00	3.00	8.00	45TD30
SW2CS3075-8-5/7-AA			10.00	7.00	5.00	8.00	45TD30
SW2CS3079-8-3/5-AA	795	636 (30/7), 636 (30/19), 666.6 (24/7), 666.6 (26/7), 715.5 (24/7), 715.5 (54/7), 795 (36/1)	10.00	5.00	3.00	8.00	45TD30
SW2CS3079-8-5/7-AA			10.00	7.00	5.00	8.00	45TD30
SW2CS3087-8-3/5-AA	874.5	715.5 (26/7), 715.5 (30/19), 795 (45/7)	10.00	5.00	3.00	8.00	45TD30
SW2CS3087-8-5/7-AA			10.00	7.00	5.00	8.00	45TD30
SW2CS3290-8-3/5-AA	900	795 (24/7), 795 (54/7), 795 (26/7)	10.00	5.00	3.00	8.00	45TD32
SW2CS3290-8-5/7-AA			10.00	7.00	5.00	8.00	45TD32
SW2CS3290-12-5/7-AA			10.00	7.00	5.00	12.00	45TD32

continued
→

TYPE SW2CS-AA Swage Double Cable Support

Ordering Information

AFL NO.	CABLE RANGE		DIMENSIONS IN INCHES				DIE SIZE
	AAC	ACSR	A	B	C	D	
SW2CS3295-6-3/5-AA	954	795 (30/19) ,900 (45/7)	10.00	5.00	3.00	6.00	45TD32
SW2CS3295-8-3/5-AA			10.00	5.00	3.00	8.00	45TD32
SW2CS3295-8-5/7-AA			10.00	7.00	5.00	8.00	45TD32
SW2CS32100-8-3/5-AA	1000	874.5 (54/7), 900 (54/7), 954 (45/7)	10.00	5.00	3.00	8.00	45TD32
SW2CS32100-8-5/7-AA			10.00	7.00	5.00	8.00	45TD32
SW2CS32103-8-3/5-AA	1033.5	954 (54/7)	10.00	5.00	3.00	8.00	45TD32
SW2CS32103-8-5/7-AA			10.00	7.00	5.00	8.00	45TD32
SW2CS32111-8-3-AA	1113	1033.5 (45/7), 1033.5 (54/7)	10.00	3.00	—	8.00	45TD32
SW2CS32111-8-3/5-AA			10.00	5.00	3.00	8.00	45TD32
SW2CS32111-8-5/7-AA			10.00	7.00	5.00	8.00	45TD32
SW2CS36119-8-3/5-AA	1192.5	1113 (45/7)	10.50	5.00	3.00	8.00	45TD36
SW2CS36119-8-5/7-AA			10.50	7.00	5.00	8.00	45TD36
SW2CS36127-8-3/5-AA	1272	1113 (54/19), 1192.5 (45/7)	10.50	5.00	3.00	8.00	45TD36
SW2CS36127-8-5/7-AA			10.50	7.00	5.00	8.00	45TD36
SW2CS36135-8-3/5-AA	1351.5	1192.5 (54/19), 1272 (45/7)	10.50	5.00	3.00	8.00	45TD36
SW2CS36135-8-5/7-AA			10.50	7.00	5.00	8.00	45TD36
SW2CS36143-8-3/5-AA	1431	1272 (54/19), 1351.5 (45/7)	10.50	5.00	3.00	8.00	45TD36
SW2CS36143-8-5/7-AA			10.50	7.00	5.00	8.00	45TD36
SW2CS36151-8-3/5-AA	1510.5	1351.5 (54/19), 1431 (45/7)	10.50	5.00	3.00	8.00	45TD36
SW2CS36151-8-5/7-AA			10.50	7.00	5.00	8.00	45TD36
SW2CS36159-8-3/5-AA	1590	1431 (54/19), 1510.5 (45/7)	10.50	5.00	3.00	8.00	45TD36
SW2CS36159-8-5/7-AA			10.50	7.00	5.00	8.00	45TD36
SW2CS36175-8-3/5-AA	1750	1510.5 (54/19), 1590 (45/7)	10.50	5.00	3.00	8.00	45TD36
SW2CS36175-8-5/7-AA			10.50	7.00	5.00	8.00	45TD36
SW2CS36180-8-3/5-AA	1800	1590 (54/19)	10.50	5.00	3.00	8.00	45TD36
SW2CS36180-8-5/7-AA			10.50	7.00	5.00	8.00	45TD36
SW2CS44200-6-3/5-AA	2000	1780 (84/19)	11.50	5.00	3.00	6.00	65TD44
SW2CS44200-8-3/5-AA			11.50	5.00	3.00	8.00	65TD44
SW2CS44200-8-5/7-AA			11.50	7.00	5.00	8.00	65TD44
SW2CS44230-8-3/5-AA	2250	2156 (84/19), 2167 (72/7)	11.50	5.00	3.00	8.00	65TD44
SW2CS44230-8-5/7-AA			11.50	7.00	5.00	8.00	65TD44
SW2CS44250-8-3/5-AA	2500	2312 (76/19)	11.50	5.00	3.00	8.00	65TD44
SW2CS44250-8-5/7-AA			11.50	7.00	5.00	8.00	65TD44