

## TYPE SWCS-AA Swage Cable Support

A Swage type cable support.

### Material

Aluminum Alloy

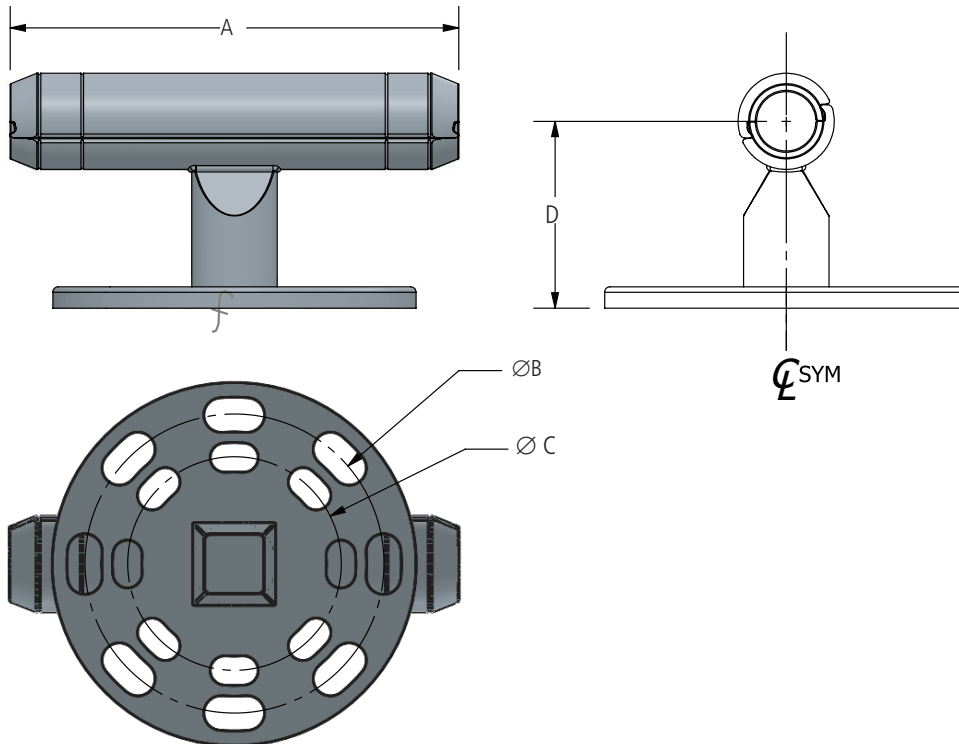
### Mounting Hardware

Galvanized Steel Bolts and Lockwashers

### Notes

- Bore will be lined with AFL Filler compound (AFC) and capped.

*f*—Machine Finish



*continued*  
→

## TYPE SWCS-AA Swage Cable Support

### Ordering Information

AFL NO.	CABLE RANGE		DIMENSIONS IN INCHES				DIE SIZE
	AAC	ACSR	A	B	C	D	
SWCS1613-3/5-AA	2/0	1/0	9.00	5.00	3.00	3.75	45TD16
SWCS1613-5/7-AA			9.00	7.00	5.00	3.75	45TD16
SWCS1625-3/5-AA	250	4/0	9.00	5.00	3.00	3.75	45TD16
SWCS1625-5/7-AA			9.00	7.00	5.00	3.75	45TD16
SWCS2026-3/5-AA	266.8	266.8 (18/1)	9.00	5.00	3.00	3.88	45TD20
SWCS2026-5/7-AA			9.00	7.00	5.00	3.88	45TD20
SWCS2030-3/5-AA	300	266.8 (26/7)	9.00	5.00	3.00	3.88	45TD20
SWCS2030-5/7-AA			9.00	7.00	5.00	3.88	45TD20
SWCS2035-3/5-AA	336.4, 350	300 (26/7), 336.4 (18/1)	9.00	5.00	3.00	3.88	45TD20
SWCS2035-8-5/7-AA			9.00	7.00	5.00	3.88	45TD20
SWCS2039-8-3/5-AA	397.5	336.4 (26/7), 336.4 (30/7), 397.5 (18/1)	9.00	5.00	3.00	3.88	45TD20
SWCS2039-8-5/7-AA			9.00	7.00	5.00	3.88	45TD20
SWCS2445-8-3/5-AA	450	397.5 (24/7), 397.5 (25/7)	9.13	5.00	3.00	3.88	45TD24
SWCS2445-8-5/7-AA			9.13	7.00	5.00	4.00	45TD24
SWCS2447-8-5/7-AA	477	397.5 (30/7)	9.13	7.00	5.00	4.00	45TD24
SWCS2447-8-3/5-AA			9.13	5.00	3.00	4.00	45TD24
SWCS2450-8-3/5-AA	500	477 (18/1)	9.13	5.00	3.00	4.00	45TD24
SWCS2450-8-5/7-AA			9.13	7.00	5.00	4.00	45TD24
SWCS2455-8-3/5-AA	556.5	477 (24/7), 477 (26/7)	9.13	5.00	3.00	4.00	45TD24
SWCS2455-8-5/7-AA			9.13	7.00	5.00	4.00	45TD24
SWCS2860-8-3/5-AA	600	477 (30/7), 556.5 (18/1)	10.00	5.00	3.00	4.00	45TD28
SWCS2860-8-5/7-AA			10.00	7.00	5.00	4.13	45TD28
SWCS2863-8-3/5-AA	636	556.5 (24/7), 556.5 (26/7)	10.00	5.00	3.00	4.13	45TD28
SWCS2863-8-5/7-AA			10.00	7.00	5.00	4.13	45TD28
SWCS2871-8-3/5-AA	700, 715.5	556.5 (30/7), 605 (24/7), 605 (26/7), 636 (18/1), 636 (36/1)	10.00	5.00	3.00	4.13	45TD28
SWCS2871-8-5/7-AA			10.00	7.00	5.00	4.13	45TD28
SWCS3075-8-3/5-AA	750	605 (30/7), 605 (30/19), 636 (24/7), 636 (26/7)	10.00	5.00	3.00	4.13	45TD30
SWCS3075-8-5/7-AA			10.00	7.00	5.00	4.19	45TD30
SWCS3079-8-3/5-AA	—	636 (30/7), 636 (30/19), 666.6 (24/7), 666.6 (26/7), 715.5 (24/7), 715.5 (54/7), 795 (36/1)	10.00	5.00	3.00	4.19	45TD30
SWCS3079-8-5/7-AA			10.00	7.00	5.00	4.19	45TD30

continued

## TYPE SWCS-AA Swage Cable Support

### Ordering Information

AFL NO.	CABLE RANGE		DIMENSIONS IN INCHES				DIE SIZE
	AAC	ACSR	A	B	C	D	
SWCS3087-8-3/5-AA	874.5	715.5 (26/7),	10.00	5.00	3.00	4.19	45TD30
SWCS3087-8-5/7-AA		715.5 (30/19), 795 (45/7)	10.00	7.00	5.00	4.19	45TD30
SWCS3290-8-3/5-AA	900	795 (24/7),	10.00	5.00	3.00	4.19	45TD32
SWCS3290-8-5/7-AA		795 (54/7), 795 (26/7)	10.00	7.00	5.00	4.25	45TD32
SWCS3295-8-3/5-AA	954	795 (30/19),	10.00	5.00	3.00	4.25	45TD32
SWCS3295-8-5/7-AA		900 (45/7)	10.00	7.00	5.00	4.25	45TD32
SWCS32100-8-3/5-AA	1000	874.5 (54/7),	10.00	5.00	3.00	4.25	45TD32
SWCS32100-8-5/7-AA		900 (54/7), 954 (45/7)	10.00	7.00	5.00	4.25	45TD32
SWCS32103-8-3/5-AA	1033.5	954 (54/7)	10.00	5.00	3.00	4.25	45TD32
SWCS32103-8-5/7-AA			10.00	7.00	5.00	4.25	45TD32
SWCS32111-8-3-AA	1113	1033.5 (45/7), 1033.5 (54/7)	10.00	5.00	-	4.25	45TD32
SWCS32111-8-3/5-AA			10.00	5.00	3.00	4.25	45TD32
SWCS32111-8-5/7-AA			10.00	7.00	5.00	4.25	45TD32
SWCS36119-8-3/5-AA	1192.5	1113 (45/7)	10.50	5.00	3.00	4.38	45TD36
SWCS36119-8-5/7-AA			10.50	7.00	5.00	4.38	45TD36
SWCS36127-8-3/5-AA	1272	1113 (54/19),	10.50	5.00	3.00	4.38	45TD36
SWCS36127-8-5/7-AA		1192.5 (45/7)	10.50	7.00	5.00	4.38	45TD36
SWCS36135-8-3/5-AA	1351.5	1192.5 (54/19),	10.50	5.00	3.00	4.38	45TD36
SWCS36135-8-5/7-AA		1272 (45/7)	10.50	7.00	5.00	4.38	45TD36
SWCS36143-8-3/5-AA	1431	1272 (54/19),	10.50	5.00	3.00	4.38	45TD36
SWCS36143-8-5/7-AA		1351.5 (45/7)	10.50	7.00	5.00	4.38	45TD36
SWCS36151-8-3/5-AA	1510.5	1351.5 (54/19),	10.50	5.00	3.00	4.38	45TD36
SWCS36151-8-5/7-AA		1431 (45/7)	10.50	7.00	5.00	4.38	45TD36
SWCS36159-8-3/5-AA	1590	1431 (54/19),	10.50	5.00	3.00	4.38	45TD36
SWCS36159-8-5/7-AA		1510.5 (45/7)	10.50	7.00	5.00	4.38	45TD36
SWCS36175-8-3/5-AA	1750	1510.5 (54/19),	10.50	5.00	3.00	4.38	45TD36
SWCS36175-8-5/7-AA		1590 (45/7)	10.50	7.00	5.00	4.38	45TD36
SWCS36180-8-3/5-AA	—	1590 (54/19)	10.50	5.00	3.00	4.38	45TD36
SWCS36180-8-5/7-AA			10.50	7.00	5.00	4.38	45TD36
SWCS44200-8-3/5-AA	2000	1780 (84/19)	11.50	5.00	3.00	4.63	65TD44
SWCS44200-8-5/7-AA			11.50	7.00	5.00	4.63	65TD44
SWCS44230-8-3/5-AA	2250	2156 (84/19),	11.50	5.00	3.00	4.63	65TD44
SWCS44230-8-5/7-AA		2167 (72/7)	11.50	7.00	5.00	4.63	65TD44
SWCS44250-8-3/5-AA	2500	2312 (76/19)	11.50	5.00	3.00	4.63	65TD44
SWCS44250-8-5/7-AA			11.50	7.00	5.00	4.63	65TD44

CABLE SUPPORTS