

## TYPE SWCFT-AA Swage Cable Tee

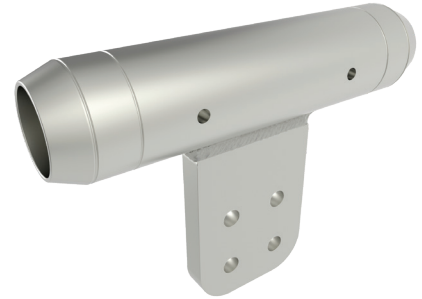
A Swage type cable tee to a NEMA pad.

### Material

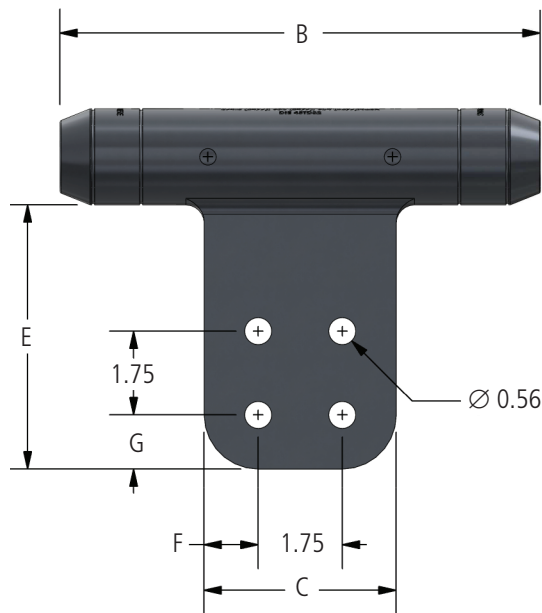
Aluminum Alloy

### Notes

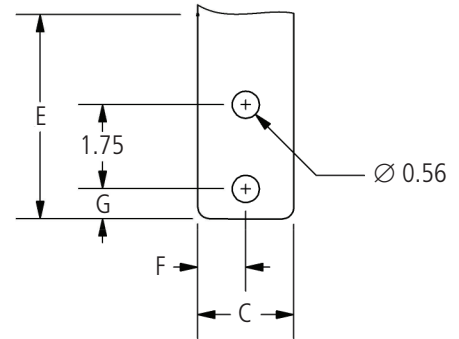
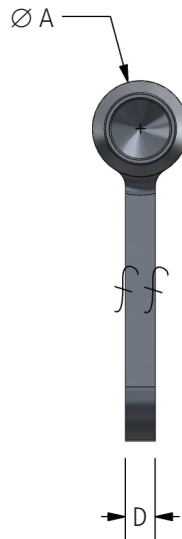
- Pre-filled with AFL Filler compound (AFC) and capped.
  - For Electro Tin Plate, add "-SN" to catalog number. EX: SWCFT1613-2N-AA-SN
- f*—Machine Finish



CABLE TEES



Pad Detail 1



Pad Detail 2

### Ordering Information

AFL NO.	CABLE RANGE		PAD DETAIL	DIMENSION IN INCHES							DIE SIZE	VOLTAGE RATING (KV)
	AAC	ACSR		A	B	C	D	E	F	G		
SWCFT1613-2N-AA	2/0	1/0 (6/1)	2	1.00	9.00	2.00	0.38	4.50	1.00	0.63	45TD16	230
SWCFT1613-4N-AA			1	1.00	9.00	3.00	0.38	4.50	0.63	0.63	45TD16	345
SWCFT1613-4N4-AA			1	1.00	9.00	4.00	0.38	5.50	1.13	1.13	45TD16	345
SWCFT1617-2N-AA	3/0	2/0 (6/1)	2	1.00	9.00	2.00	0.38	4.50	1.00	0.63	45TD16	230
SWCFT1617-4N-AA			1	1.00	9.00	3.00	0.38	4.50	0.63	0.63	45TD16	345
SWCFT1617-4N4-AA			1	1.00	9.00	4.00	0.38	5.50	1.13	1.13	45TD16	345
SWCFT1621-2N-AA	4/0	3/0 (6/1)	2	1.00	9.00	2.00	0.38	4.50	1.00	0.63	45TD16	230
SWCFT1621-4N-AA			1	1.00	9.00	3.00	0.38	4.50	0.63	0.63	45TD16	345
SWCFT1621-4N4-AA			1	1.00	9.00	4.00	0.38	5.50	1.13	1.13	45TD16	345

continued

## TYPE SWCFT-AA Swage Cable Tee

### Ordering Information

AFL NO.	CABLE RANGE		PAD DETAIL	DIMENSION IN INCHES							DIE SIZE	VOLTAGE RATING (KV)
	AAC	ACSR		A	B	C	D	E	F	G		
SWCFT1625-2N-AA	250	4/0 (6/1)	2	1.00	9.00	2.00	0.38	4.50	1.00	0.63	45TD16	230
SWCFT1625-4N-AA			1	1.00	9.00	3.00	0.38	4.50	0.63	0.63	45TD16	345
SWCFT1625-4N4-AA			1	1.00	9.00	4.00	0.38	5.50	1.13	1.13	45TD16	345
SWCFT2026-2N-AA	266.8	266.8 (18/1)	2	1.25	9.00	2.00	0.50	4.50	1.00	0.63	45TD20	230
SWCFT2026-4N-AA			1	1.25	9.00	3.00	0.50	4.50	0.63	0.63	45TD20	345
SWCFT2026-4N4-AA			1	1.25	9.00	4.00	0.50	5.50	1.13	1.13	45TD20	345
SWCFT2030-2N-AA	300.0	266.8 (26/7)	2	1.25	9.00	2.00	0.50	4.50	1.00	0.63	45TD20	230
SWCFT2030-4N-AA			1	1.25	9.00	3.00	0.50	4.50	0.63	0.63	45TD20	345
SWCFT2030-4N4-AA			1	1.25	9.00	4.00	0.50	5.50	1.13	1.13	45TD20	345
SWCFT2035-2N-AA	336.4, 350	300 (26/7), 336.4 (18/1)	2	1.25	9.00	2.00	0.50	4.50	1.00	0.63	45TD20	230
SWCFT2035-4N-AA			1	1.25	9.00	3.00	0.50	4.50	0.63	0.63	45TD20	345
SWCFT2035-4N4-AA			1	1.25	9.00	4.00	0.50	5.50	1.13	1.13	45TD20	345
SWCFT2039-2N-AA	397.5	336.4 (26/7), 336.4 (30/7), 397.5 (18/1)	2	1.25	9.00	2.00	0.50	4.50	1.00	0.63	45TD20	230
SWCFT2039-4N-AA			1	1.25	9.00	3.00	0.50	4.50	0.63	0.63	45TD20	345
SWCFT2039-4N4-AA			1	1.25	9.00	4.00	0.50	5.50	1.13	1.13	45TD20	345
SWCFT2445-2N-AA	450.0	397.5 (24/7), 397.5 (26/7)	2	1.50	9.13	2.00	0.50	4.50	1.00	0.63	45TD24	230
SWCFT2445-4N-AA			1	1.50	9.13	3.00	0.50	4.50	0.63	0.63	45TD24	345
SWCFT2445-4N4-AA			1	1.50	9.13	4.00	0.50	5.50	1.13	1.13	45TD24	345
SWCFT2447-2N-AA	477	397.5 (30/7)	2	1.50	9.13	2.00	0.50	4.50	1.00	0.63	45TD24	230
SWCFT2447-4N-AA			1	1.50	9.13	3.00	0.50	4.50	0.63	0.63	45TD24	345
SWCFT2447-4N4-AA			1	1.50	9.13	4.00	0.50	5.50	1.13	1.13	45TD24	345
SWCFT2450-2N-AA	500	477 (18/1)	2	1.50	9.13	2.00	0.50	4.50	1.00	0.63	45TD24	230
SWCFT2450-4N-AA			1	1.50	9.13	3.00	0.50	4.50	0.63	0.63	45TD24	345
SWCFT2450-4N4-AA			1	1.50	9.13	4.00	0.50	5.50	1.13	1.13	45TD24	345
SWCFT2455-2N-AA	556.5	477 (24/7), 477 (26/7)	2	1.50	9.13	2.00	0.50	4.50	1.00	0.63	45TD24	230
SWCFT2455-4N-AA			1	1.50	9.13	3.00	0.50	4.50	0.63	0.63	45TD24	345
SWCFT2455-4N4-AA			1	1.50	9.13	4.00	0.50	5.50	1.13	1.13	45TD24	345
SWCFT2860-2N-AA	600	477 (30/7), 556.5 (18/1)	2	1.75	10.00	2.00	0.63	4.50	1.00	0.63	45TD28	230
SWCFT2860-4N-AA			1	1.75	10.00	3.00	0.63	4.50	0.63	0.63	45TD28	345
SWCFT2860-4N4-AA			1	1.75	10.00	4.00	0.63	5.50	1.13	1.13	45TD28	345
SWCFT2863-2N-AA	636	556.5 (24/7), 556.5 (26/7)	2	1.75	10.00	2.00	0.63	4.50	1.00	0.63	45TD28	230
SWCFT2863-4N-AA			1	1.75	10.00	3.00	0.63	4.50	0.63	0.63	45TD28	345
SWCFT2863-4N4-AA			1	1.75	10.00	4.00	0.63	5.50	1.13	1.13	45TD28	345
SWCFT2871-2N-AA	700, 715.5	556.5 (30/7), 605 (24/7), 605 (26/7), 636 (18/1), 636 (36/1)	2	1.75	10.00	2.00	0.63	4.50	1.00	0.63	45TD28	230
SWCFT2871-4N-AA			1	1.75	10.00	3.00	0.63	4.50	0.63	0.63	45TD28	345
SWCFT2871-4N4-AA			1	1.75	10.00	4.00	0.63	5.50	1.13	1.13	45TD28	345

continued

## TYPE SWCFT-AA Swage Cable Tee

### Ordering Information

AFL NO.	CABLE RANGE		PAD DETAIL	DIMENSION IN INCHES							DIE SIZE	VOLTAGE RATING (KV)
	AAC	ACSR		A	B	C	D	E	F	G		
SWCFT3075-2N-AA	750	605 (30/7), 605 (30/19), 636 (24/7), 636 (26/7)	2	1.88	10.00	2.00	0.63	4.50	1.00	0.63	45TD30	230
SWCFT3075-4N-AA			1	1.88	10.00	3.00	0.63	4.50	0.63	0.63	45TD30	345
SWCFT3075-4N4-AA			1	1.88	10.00	4.00	0.63	5.50	1.13	1.13	45TD30	345
SWCFT3079-2N-AA	795	636 (30/7), 636 (30/19), 715.5 (24/7), 715.5 (54/7), 795 (36/1)	2	1.88	10.00	2.00	0.63	4.50	1.00	0.63	45TD30	230
SWCFT3079-4N-AA			1	1.88	10.00	3.00	0.63	4.50	0.63	0.63	45TD30	345
SWCFT3079-4N4-AA			1	1.88	10.00	4.00	0.63	5.50	1.13	1.13	45TD30	345
SWCFT3087-4N-AA	874.5	715.5 (26/7), 715.5 (30/19), 795 (45/7)	1	1.88	10.00	3.00	0.63	4.50	0.63	0.63	45TD30	345
SWCFT3087-4N4-AA			1	1.88	10.00	4.00	0.63	5.50	1.13	1.13	45TD30	345
SWCFT3290-4N-AA	900	795 (24/7), 795 (54/7), 795 (26/7)	1	2.00	10.00	3.00	0.63	4.50	0.63	0.63	45TD32	345
SWCFT3290-4N4-AA			1	2.00	10.00	4.00	0.63	5.50	1.13	1.13	45TD32	345
SWCFT3295-4N-AA	954	795 (30/19), 900 (45/7)	1	2.00	10.00	3.00	0.63	4.50	0.63	0.63	45TD32	345
SWCFT3295-4N4-AA			1	2.00	10.00	4.00	0.63	5.50	1.13	1.13	45TD32	345
SWCFT32100-4N-AA	1000	874.5 (54/7), 900 (54/7), 954 (45/7)	1	2.00	10.00	3.00	0.63	4.50	0.63	0.63	45TD32	345
SWCFT32100-4N4-AA			1	2.00	10.00	4.00	0.63	5.50	1.13	1.13	45TD32	345
SWCFT32103-4N-AA	1033.5	954 (54/7)	1	2.00	10.00	3.00	0.63	4.50	0.63	0.63	45TD32	345
SWCFT32103-4N4-AA			1	2.00	10.00	4.00	0.63	5.50	1.13	1.13	45TD32	345
SWCFT32111-4N-AA	1113	1033.5 (45/7), 1033.5 (54/7)	1	2.00	10.00	3.00	0.63	4.50	0.63	0.63	45TD32	345
SWCFT32111-4N4-AA			1	2.00	10.00	4.00	0.63	5.50	1.13	1.13	45TD32	345
SWCFT36119-4N-AA	1192.5	1113 (45/7)	1	2.25	10.50	3.00	0.75	4.50	0.63	0.63	45TD36	500
SWCFT36119-4N4-AA			1	2.25	10.50	4.00	0.75	5.50	1.13	1.13	45TD36	500
SWCFT36127-4N-AA	1272	1113 (54/19), 1192.5 (45/7)	1	2.25	10.50	3.00	0.75	4.50	0.63	0.63	45TD36	500
SWCFT36127-4N4-AA			1	2.25	10.50	4.00	0.75	5.50	1.13	1.13	45TD36	500
SWCFT36135-4N-AA	1351.5	1192.5 (54/19), 1272 (45/7)	1	2.25	10.50	3.00	0.75	4.50	0.63	0.63	45TD36	500
SWCFT36135-4N4-AA			1	2.25	10.50	4.00	0.75	5.50	1.13	1.13	45TD36	500
SWCFT36143-4N-AA	1431	1272 (54/19), 1351.5 (45/7)	1	2.25	10.50	3.00	0.75	4.50	0.63	0.63	45TD36	500
SWCFT36143-4N4-AA			1	2.25	10.50	4.00	0.75	5.50	1.13	1.13	45TD36	500
SWCFT36151-4N-AA	1510.5	1351.5 (54/19), 1431 (45/7)	1	2.25	10.50	3.00	0.75	4.50	0.63	0.63	45TD36	500
SWCFT36151-4N4-AA			1	2.25	10.50	4.00	0.75	5.50	1.13	1.13	45TD36	500

continued

## TYPE SWCFT-AA Swage Cable Tee

### Ordering Information

AFL NO.	CABLE RANGE		PAD DETAIL	DIMENSION IN INCHES						DIE SIZE	VOLTAGE RATING (KV)	
	AAC	ACSR		A	B	C	D	E	F			G
SWCFT36159-4N-AA	1590	1431 (54/19), 1510.5 (45/7)	1	2.25	10.50	3.00	0.75	4.50	0.63	0.63	45TD36	500
SWCFT36159-4N4-AA			1	2.25	10.50	4.00	0.75	5.50	1.13	1.13	45TD36	500
SWCFT36175-4N-AA	1750	1510.5 (54/19), 1590 (45/7)	1	2.25	10.50	3.00	0.75	4.50	0.63	0.63	45TD36	500
SWCFT36175-4N4-AA			1	2.25	10.50	4.00	0.75	5.50	1.13	1.13	45TD36	500
SWCFT36180-4N-AA	1800	1590 (54/19)	1	2.25	10.50	3.00	0.75	4.50	0.63	0.63	45TD36	500
SWCFT36180-4N4-AA			1	2.25	10.50	4.00	0.75	5.50	1.13	1.13	45TD36	500
SWCFT44200-4N-AA	2000	1780 (84/19)	1	2.75	11.50	3.00	0.75	4.50	0.63	0.63	65TD44	500
SWCFT44200-4N4-AA			1	2.75	11.50	4.00	0.75	5.50	1.13	1.13	65TD44	500
SWCFT44230-4N-AA	2250	2156 (84/19), 2167 (72/7)	1	2.75	11.50	3.00	0.75	4.50	0.63	0.63	65TD44	500
SWCFT44230-4N4-AA			1	2.75	11.50	4.00	0.75	5.50	1.13	1.13	65TD44	500
SWCFT44250-4N-AA	2500	2312 (76/19)	1	2.75	11.50	3.00	0.75	4.50	0.63	0.63	65TD44	500
SWCFT44250-4N4-AA			1	2.75	11.50	4.00	0.75	5.50	1.13	1.13	65TD44	500

CABLE TEES