

TYPE SWCFTS-AA SERIES Swage Split Cable Tube NEMA Pad

A Swage type split cable tube for cable with a NEMA pad.

Material

Aluminum Alloy

Notes

- Pre-filled with AFL Filler compound (AFC) and capped.

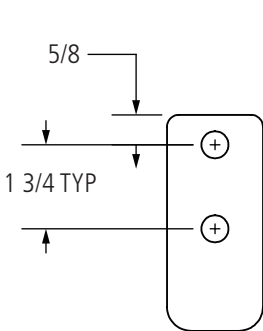
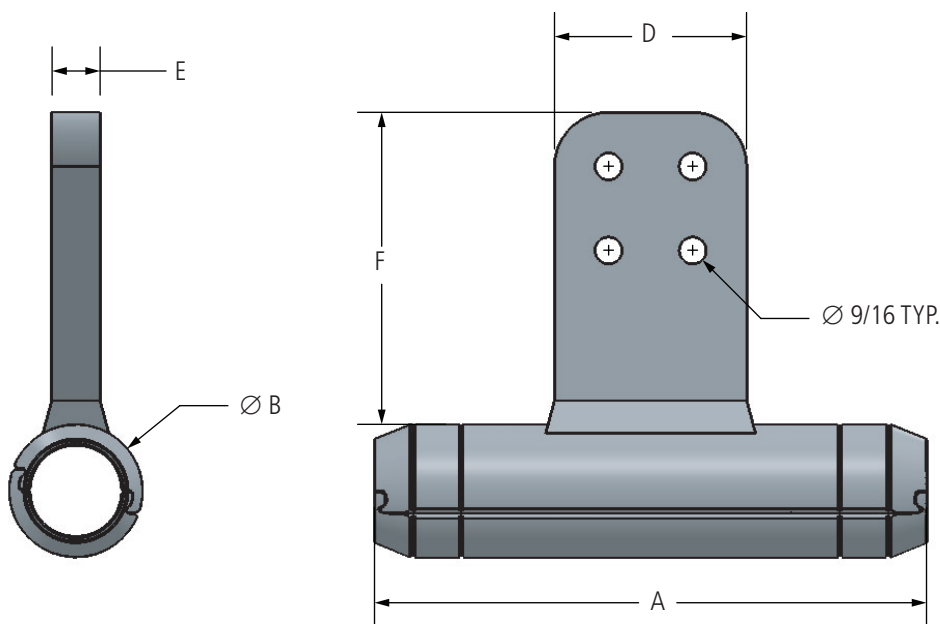
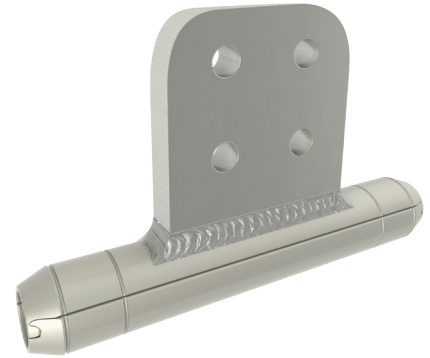


FIG. 1
2N PAD

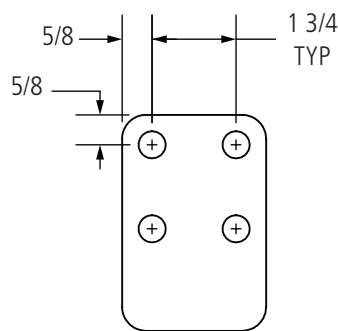


FIG. 2
4N PAD

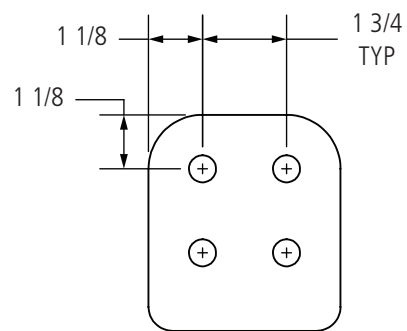


FIG. 3
4N4 PAD

continued
→

TYPE SWCFTS-AA SERIES

Swage Split Cable Tube NEMA Pad

Ordering Information

AFL NO.	CABLE RANGE		DIMENSION IN INCHES						DIE SIZE
	AAC	ACSR	A	B	C	D	E	F	
SWCFTS1613-2N-AA	2/0	1/0	9.00	1.00	0.458	2.00	0.375	4.50	45TD16
SWCFTS1613-4N-AA			9.00	1.00	0.458	3.00	0.375	4.50	45TD16
SWCFTS1613-4N4-AA			9.00	1.00	0.458	4.00	0.375	4.50	45TD16
SWCFTS1625-2N-AA	250	4/0	9.00	1.00	0.625	2.00	0.375	4.50	45TD16
SWCFTS1625-4N-AA			9.00	1.00	0.625	3.00	0.375	4.50	45TD16
SWCFTS1625-4N4-AA			9.00	1.00	0.625	4.00	0.375	4.50	45TD16
SWCFTS2026-2N-AA	266.8	266.8 (18/1)	9.00	1.25	0.659	2.00	0.375	4.50	45TD20
SWCFTS2026-4N-AA			9.00	1.25	0.659	3.00	0.375	4.50	45TD20
SWCFTS2026-4N4-AA			9.00	1.25	0.659	4.00	0.375	4.50	45TD20
SWCFTS2030-2N-AA	300	266.8 (26/7)	9.00	1.25	0.695	2.00	0.375	4.50	45TD20
SWCFTS2030-4N-AA			9.00	1.25	0.695	3.00	0.375	4.50	45TD20
SWCFTS2030-4N4-AA			9.00	1.25	0.695	4.00	0.375	4.50	45TD20
SWCFTS2035-2N-AA	336.4, 350	300 (26/7), 336.4 (18/1)	9.00	1.25	0.745	2.00	0.375	4.50	45TD20
SWCFTS2035-4N-AA			9.00	1.25	0.745	3.00	0.375	4.50	45TD20
SWCFTS2035-4N4-AA			9.00	1.25	0.745	4.00	0.375	4.50	45TD20
SWCFTS2039-2N-AA	397.5	336.4 (26/7), 336.4 (30/7), 397.5 (18/1)	9.00	1.25	0.800	2.00	0.375	4.50	45TD20
SWCFTS2039-4N-AA			9.00	1.25	0.800	3.00	0.375	4.50	45TD20
SWCFTS2039-4N4-AA			9.00	1.25	0.800	4.00	0.625	4.50	45TD20
SWCFTS2445-2N-AA	450	397.5 (24/7), 397.5 (26/7)	9.13	1.50	0.837	2.00	0.500	4.50	45TD24
SWCFTS2445-4N-AA			9.13	1.50	0.837	3.00	0.375	4.50	45TD24
SWCFTS2445-4N4-AA			9.13	1.50	0.837	4.00	0.375	4.50	45TD24
SWCFTS2447-2N-AA	477	397.5 (30/7)	9.13	1.50	0.862	2.00	0.500	4.50	45TD24
SWCFTS2447-4N-AA			9.13	1.50	0.862	3.00	0.500	4.50	45TD24
SWCFTS2447-4N4-AA			9.13	1.50	0.862	4.00	0.500	4.50	45TD24
SWCFTS2450-2N-AA	500	477 (18/1)	9.13	1.50	0.875	2.00	0.500	4.50	45TD24
SWCFTS2450-4N-AA			9.13	1.50	0.875	3.00	0.500	4.50	45TD24
SWCFTS2450-4N4-AA			9.13	1.50	0.875	4.00	0.500	4.50	45TD24
SWCFTS2455-2N-AA	556.5	477 (24/7), 477 (26/7)	9.13	1.50	0.927	2.00	0.500	4.50	45TD24
SWCFTS2455-4N-AA			9.13	1.50	0.927	3.00	0.500	4.50	45TD24
SWCFTS2455-4N4-AA			9.13	1.50	0.927	4.00	0.500	4.50	45TD24
SWCFTS2860-2N-AA	600	477 (30/7), 556.5 (18/1)	10.00	1.75	0.960	2.00	0.500	4.50	45TD28
SWCFTS2860-4N-AA			10.00	1.75	0.960	3.00	0.500	4.50	45TD28
SWCFTS2860-4N4-AA			10.00	1.75	0.960	4.00	0.500	4.50	45TD28
SWCFTS2863-2N-AA	636	556.5 (24/7), 556.5 (26/7)	10.00	1.75	0.987	2.00	0.500	4.50	45TD28
SWCFTS2863-4N-AA			10.00	1.75	0.987	3.00	0.500	4.50	45TD28
SWCFTS2863-4N4-AA			10.00	1.75	0.987	4.00	0.625	4.50	45TD28

continued

CABLE TEES

TYPE SWCFTS-AA SERIES Swage Split Cable Tube NEMA Pad

Ordering Information

AFL NO.	CABLE RANGE		DIMENSION IN INCHES						DIE SIZE
	AAC	ACSR	A	B	C	D	E	F	
SWCFTS2871-2N-AA	700, 715.5	556.5 (30/7), 605 (24/7), 605 (26/7), 636 (18/1), 636 (36/1)	10.00	1.75	1.032	2.00	0.500	4.50	45TD28
SWCFTS2871-4N-AA			10.00	1.75	1.032	3.00	0.500	4.50	45TD28
SWCFTS2871-4N4-AA			10.00	1.75	1.032	4.00	0.500	4.50	45TD28
SWCFTS3075-2N-AA	750	605 (30/7), 605 (30/19), 636 (24/7), 636 (26/7)	10.00	1.88	1.068	2.00	0.500	4.50	45TD30
SWCFTS3075-4N-AA			10.00	1.88	1.068	3.00	0.500	4.50	45TD30
SWCFTS3075-4N4-AA			10.00	1.88	1.068	4.00	0.500	4.50	45TD30
SWCFTS3079-2N-AA	795	636 (30/7), 636 (30/19), 666.6 (24/7), 666.6 (26/7), 715.5 (24/7), 715.5 (54/7), 795 (36/1)	10.00	1.88	1.113	2.00	0.500	4.50	45TD30
SWCFTS3079-4N-AA			10.00	1.88	1.113	3.00	0.500	4.50	45TD30
SWCFTS3079-4N4-AA			10.00	1.88	1.113	4.00	0.500	4.50	45TD30
SWCFTS3087-2N-AA	874.5	715.5 (26/7), 715.5 (30/19), 795 (45/7)	10.00	1.88	1.164	2.00	0.500	4.50	45TD30
SWCFTS3087-4N-AA			10.00	1.88	1.164	3.00	0.500	4.50	45TD30
SWCFTS3087-4N4-AA			10.00	1.88	1.164	4.00	0.500	4.50	45TD30
SWCFTS32100-2N-AA	1000	874.5 (54/7), 900 (54/7), 954 (45/7)	10.00	2.00	1.234	2.00	0.750	4.50	45TD32
SWCFTS32100-4N-AA			10.00	2.00	1.234	3.00	0.750	4.50	45TD32
SWCFTS32100-4N4-AA			10.00	2.00	1.234	4.00	0.750	4.50	45TD32
SWCFTS32103-2N-AA	1033.5	954 (54/7)	10.00	2.00	1.261	2.00	0.750	4.50	45TD32
SWCFTS32103-4N-AA			10.00	2.00	1.261	3.00	0.750	4.50	45TD32
SWCFTS32103-4N4-AA			10.00	2.00	1.261	4.00	0.750	4.50	45TD32
SWCFTS32111-2N-AA	1113	1033.5 (45/7), 1033.5 (54/7)	10.00	2.00	1.310	2.00	0.750	4.50	45TD32
SWCFTS32111-4N-AA			10.00	2.00	1.310	3.00	0.750	4.50	45TD32
SWCFTS32111-4N4-AA			10.00	2.00	1.310	4.00	0.750	4.50	45TD32
SWCFTS3290-2N-AA	900	795 (24/7), 795 (54/7), 795 (26/7)	10.00	2.00	1.200	2.00	0.750	4.50	45TD32
SWCFTS3290-4N-AA			10.00	2.00	1.200	3.00	0.500	4.50	45TD32
SWCFTS3290-4N4-AA			10.00	2.00	1.200	4.00	0.500	4.50	45TD32
SWCFTS3295-2N-AA	954	795 (30/19), 900 (45/7)	10.00	2.00	1.212	2.00	0.750	4.50	45TD32
SWCFTS3295-4N-AA			10.00	2.00	1.212	3.00	0.750	4.50	45TD32
SWCFTS3295-4N4-AA			10.00	2.00	1.212	4.00	0.750	4.50	45TD32
SWCFTS36119-2N-AA	1192.5	1113 (45/7)	10.50	2.25	1.353	2.00	0.750	4.50	45TD36
SWCFTS36119-4N-AA			10.50	2.25	1.353	3.00	0.750	4.50	45TD36
SWCFTS36119-4N4-AA			10.50	2.25	1.353	4.00	0.750	4.50	45TD36

continued
➔

TYPE SWCFTS-AA SERIES

Swage Split Cable Tube NEMA Pad

Ordering Information

AFL NO.	CABLE RANGE		DIMENSION IN INCHES						DIE SIZE
	AAC	ACSR	A	B	C	D	E	F	
SWCFTS36127-2N-AA	1272	1113 (54/19), 1192.5 (45/7)	10.50	2.25	1.387	2.00	0.750	4.50	45TD36
SWCFTS36127-4N-AA			10.50	2.25	1.387	3.00	0.750	4.50	45TD36
SWCFTS36127-4N4-AA			10.50	2.25	1.387	4.00	0.750	4.50	45TD36
SWCFTS36135-2N-AA	1351.5	1192.5 (54/19), 1272 (45/7)	10.50	2.25	1.390	2.00	0.750	4.50	45TD36
SWCFTS36135-4N-AA			10.50	2.25	1.390	3.00	0.750	4.50	45TD36
SWCFTS36135-4N4-AA			10.50	2.25	1.390	4.00	0.750	4.50	45TD36
SWCFTS36143-2N-AA	1431	1272 (54/19), 1351.5 (45/7)	10.50	2.25	1.430	2.00	0.750	4.50	45TD36
SWCFTS36143-4N-AA			10.50	2.25	1.430	3.00	0.750	4.50	45TD36
SWCFTS36143-4N4-AA			10.50	2.25	1.430	4.00	0.750	4.50	45TD36
SWCFTS36151-2N-AA	1510.5	1351.5 (54/19), 1431 (45/7)	10.50	2.25	1.470	2.00	0.750	4.50	45TD36
SWCFTS36151-4N-AA			10.50	2.25	1.470	3.00	0.750	4.50	45TD36
SWCFTS36151-4N4-AA			10.50	2.25	1.470	4.00	0.750	4.50	45TD36
SWCFTS36159-2N-AA	1590	1431 (54/19), 1510.5 (45/7)	10.50	2.25	1.500	2.00	0.750	4.50	45TD36
SWCFTS36159-4N-AA			10.50	2.25	1.500	3.00	0.750	4.50	45TD36
SWCFTS36159-4N4-AA			10.50	2.25	1.500	4.00	0.750	4.50	45TD36
SWCFTS36175-2N-AA	1750	1510.5 (54/19), 1590 (45/7)	10.50	2.25	1.578	2.00	0.750	4.50	45TD36
SWCFTS36175-4N-AA			10.50	2.25	1.578	3.00	0.750	4.50	45TD36
SWCFTS36175-4N4-AA			10.50	2.25	1.578	4.00	0.750	4.50	45TD36
SWCFTS36180-2N-AA	1800	1590 (54/19)	10.50	2.25	1.611	2.00	0.750	4.50	45TD36
SWCFTS36180-4N-AA			10.50	2.25	1.611	3.00	0.750	4.50	45TD36
SWCFTS36180-4N4-AA			10.50	2.25	1.611	4.00	0.750	4.50	45TD36
SWCFTS44200-2N-AA	2000	1780 (84/19)	11.50	2.75	1.705	2.00	0.750	4.50	65TD44
SWCFTS44200-4N-AA			11.50	2.75	1.705	3.00	0.750	4.50	65TD44
SWCFTS44200-4N4-AA			11.50	2.75	1.705	4.00	0.750	4.50	65TD44
SWCFTS44230-2N-AA	2250	2156 (84/19), 2167 (72/7)	11.50	2.75	1.805	2.00	0.750	4.50	65TD44
SWCFTS44230-4N-AA			11.50	2.75	1.805	3.00	0.750	4.50	65TD44
SWCFTS44230-4N4-AA			11.50	2.75	1.805	4.00	0.750	4.50	65TD44
SWCFTS44250-2N-AA	2500	2312 (76/19)	11.50	2.75	1.900	2.00	0.750	4.50	65TD44
SWCFTS44250-4N-AA			11.50	2.75	1.900	3.00	0.750	4.50	65TD44
SWCFTS44250-4N4-AA			11.50	2.75	1.900	4.00	0.750	4.50	65TD44

CABLE TEES