

TYPE SW3CTA-45-AA

Swage Three Cable 45-Degree Terminal

A swage type three cable angled terminals on a nema pad.

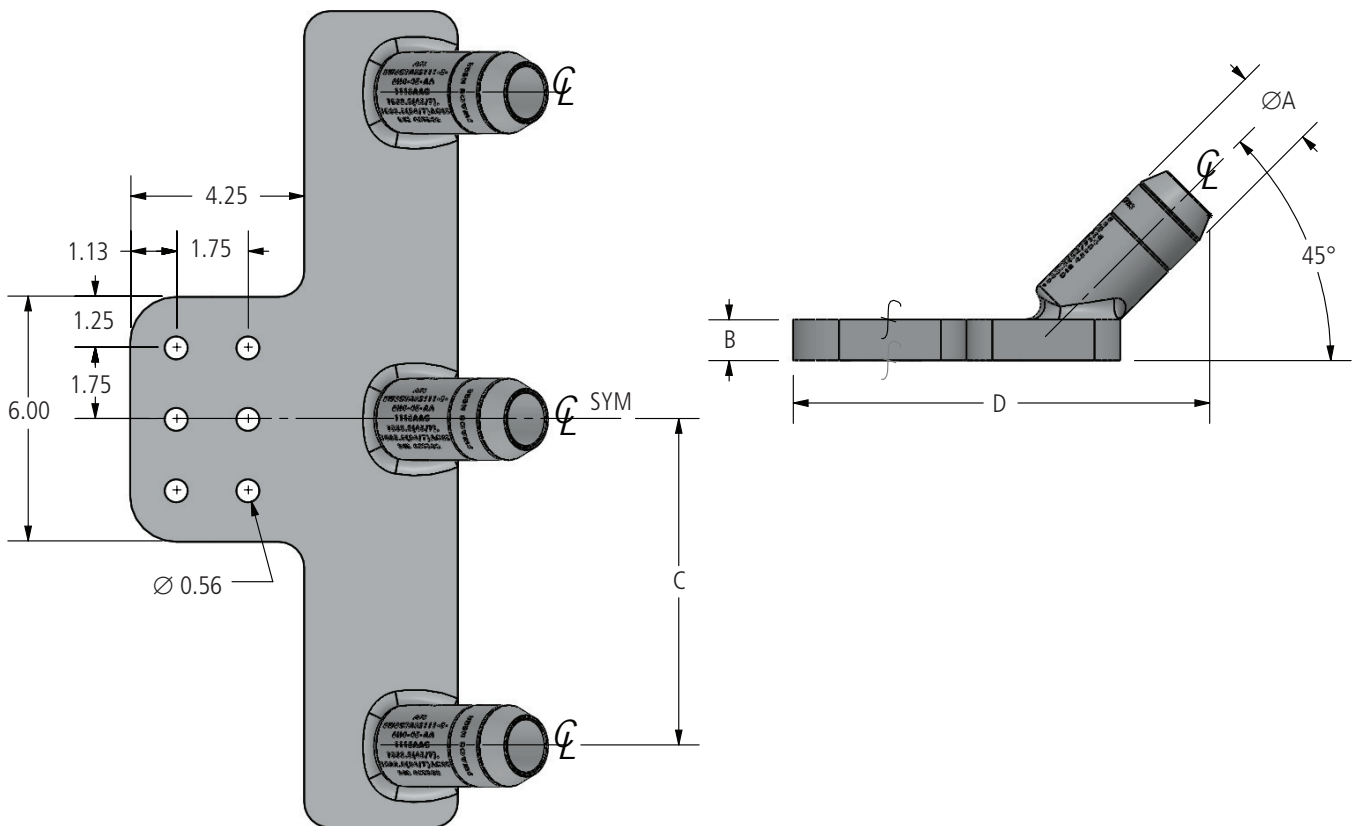
Material

Aluminum Alloy

Notes

- Prefilled with AFL Filler Compound (AFC) and capped.
- For Electro Tin plate add "-SN" to AFL No.
EX: SW3CTA44225-8-6N4-90-AA-SN

f—Machine Finish



continued

TYPE SW3CTA-45-AA

Swage Three Cable 45-Degree Terminal

Ordering Information

AFL NO.	CABLE RANGE		DIMENSIONS IN INCHES				DIE SIZE
	AAC	ACSR	A	B	C	D	
SW3CTA2039-8-6N4-45-AA	397.5	336.4 (26/7), 336.4 (30/7), 397.5 (18/1)	1.25	0.75	8.00	10.09	45TD20
SW3CTA2871-8-6N4-45-AA	700, 715.5	556.5 (30/7), 605 (24/7), 605 (26/7), 636 (18/1), 636 (36/1)	1.75	1.00	8.00	10.20	45TD28
SW3CTA3075-8-6N4-45-AA	750	605 (30/7), 605 (30/19), 636 (24/7), 636 (26/7)	1.88	1.00	8.00	10.16	45TD30
SW3CTA3075-18-6N4-45-AA			1.88	1.00	18.00	10.16	45TD30
SW3CTA3079-8-6N4-45-AA	795	636 (30/7), 636 (30/19), 715.5 (24/7), 715.5 (54/7), 795 (36/1)	1.88	1.00	8.00	10.16	45TD30
SW3CTA3079-18-6N4-45-AA			1.88	1.00	18.00	10.16	45TD30
SW3CTA3087-8-6N4-45-AA	874.5	715.5 (26/7), 715.5 (30/19), 795 (45/7)	1.88	1.00	8.00	10.16	45TD30
SW3CTA3087-18-6N4-45-AA			1.88	1.00	18.00	10.16	45TD30
SW3CTA32111-8-6N4-45-AA	1113	1033.5 (45/7), 1033.5 (54/7)	2.00	1.00	8.00	10.20	45TD32
SW3CTA32111-18-6N4-45-AA			2.00	1.00	18.00	10.20	45TD32
SW3CTA36127-8-6N4-45-AA	1272	1113 (54/19), 1192.5 (45/7)	2.25	1.00	8.00	10.38	45TD36
SW3CTA36127-18-6N4-45-AA			2.25	1.00	18.00	10.38	45TD36
SW3CTA36143-8-6N4-45-AA	1431	1272 (54/19), 1351.5 (45/7)	2.25	1.00	8.00	10.38	45TD36
SW3CTA36143-18-6N4-45-AA			2.25	1.00	18.00	10.38	45TD36
SW3CTA36151-8-6N4-45-AA	1510.5	1351.5 (54/19), 1431 (45/7)	2.25	1.00	8.00	10.38	45TD36
SW3CTA36151-18-6N4-45-AA			2.25	1.00	18.00	10.38	45TD36
SW3CTA44230-8-6N4-45-AA	2250	2156 (84/19), 2167 (72/7)	2.75	1.00	8.00	10.61	65TD44
SW3CTA44230-18-6N4-45-AA			2.75	1.00	18.00	10.61	65TD44
SW3CTA44250-8-6N4-45-AA	2500	2312 (76/19)	2.75	1.00	8.00	10.61	65TD44
SW3CTA44250-18-6N4-45-AA			2.75	1.00	18.00	10.61	65TD44