

TYPE SWCT-AA
Swage Offset Cable Terminal

A swage type cable terminal designed to terminate aluminum cables.

Material

Aluminum Alloy

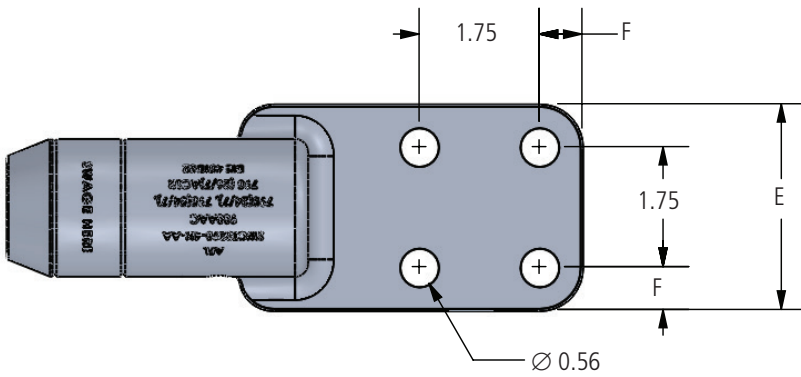
Notes

- Bore will be lined with AFL Filler Compound (AFC) and capped.
- For Electro Tin plate add "-SN" to AFL No. EX: SWCT2026-4N-AA-SN

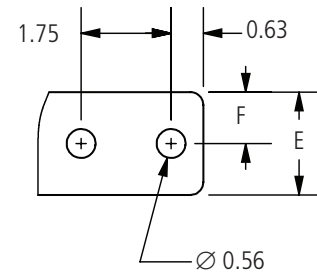
f—Machine Finish



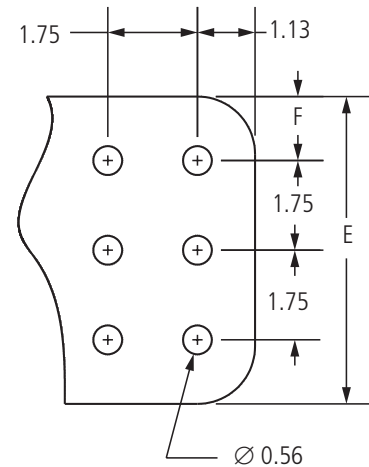
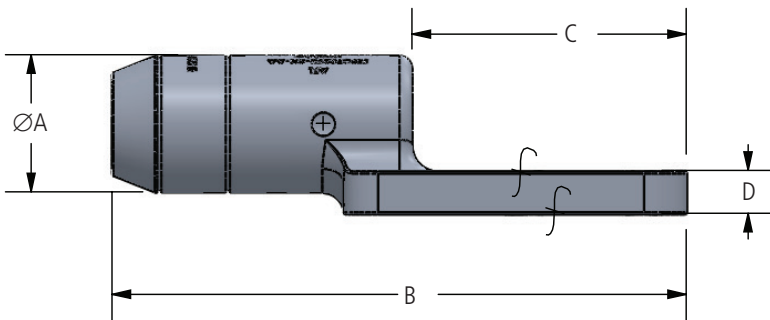
SWAGE360® Cable Accessories



Pad Detail 2



Pad Detail 1



Pad Detail 3

continued
→



TYPE SWCT-AA
Swage Offset Cable Terminal

Ordering Information

AFL NO.	CABLE SIZE		PAD DETAIL	DIMENSIONS IN INCHES						DIE SIZE	VOLTAGE RATING (KV)
	AAC	ACSR		A	B	C	D	E	F		
SWCT1610-2N-AA	1/0	#1	1	1.00	7.25	4.00	0.38	2.00	1.00	45TD16	230
SWCT1610-4N-AA			2	1.00	7.25	4.00	0.38	3.00	0.63	45TD16	230
SWCT1610-4N4-AA			2	1.00	8.25	5.00	0.38	4.00	1.13	45TD16	230
SWCT1613-2N-AA	2/0	1/0 (6/1)	1	1.00	7.25	4.00	0.38	2.00	1.00	45TD16	230
SWCT1613-4N-AA			2	1.00	7.25	4.00	0.38	3.00	0.63	45TD16	230
SWCT1613-4N4-AA			2	1.00	8.25	5.00	0.38	4.00	1.13	45TD16	230
SWCT1617-2N-AA	3/0	2/0 (6/1)	1	1.00	7.25	4.00	0.38	2.00	1.00	45TD16	230
SWCT1617-4N-AA			2	1.00	7.25	4.00	0.38	3.00	0.63	45TD16	230
SWCT1617-4N4-AA			2	1.00	8.25	5.00	0.38	4.00	1.13	45TD16	230
SWCT1621-2N-AA	4/0	3/0 (6/1)	1	1.00	7.25	4.00	0.38	2.00	1.00	45TD16	230
SWCT1621-4N-AA			2	1.00	7.25	4.00	0.38	3.00	0.63	45TD16	230
SWCT1621-4N4-AA			2	1.00	8.25	5.00	0.38	4.00	1.13	45TD16	230
SWCT1625-2N-AA	250	4/0 (6/1)	1	1.00	7.25	4.00	0.38	2.00	1.00	45TD16	230
SWCT1625-4N-AA			2	1.00	7.25	4.00	0.38	3.00	0.63	45TD16	230
SWCT1625-4N4-AA			2	1.00	8.25	5.00	0.38	4.00	1.13	45TD16	230
SWCT2026-2N-AA	266.8	266.8 (18/1)	1	1.25	7.75	4.00	0.63	2.00	1.00	45TD20	230
SWCT2026-4N-AA			2	1.25	7.75	4.00	0.63	3.00	0.63	45TD20	345
SWCT2026-4N4-AA			2	1.25	8.25	4.50	0.63	4.00	1.13	45TD20	345
SWCT2030-2N-AA	300	266.8 (26/7)	1	1.25	7.75	4.00	0.63	2.00	1.00	45TD20	230
SWCT2030-4N-AA			2	1.25	7.75	4.00	0.63	3.00	0.63	45TD20	345
SWCT2030-4N4-AA			2	1.25	8.25	4.50	0.63	4.00	1.13	45TD20	345
SWCT2035-2N-AA	336.4, 350	300 (26/7), 336.4 (18/1)	1	1.25	7.75	4.00	0.63	2.00	1.00	45TD20	230
SWCT2035-4N-AA			2	1.25	7.75	4.00	0.63	3.00	0.63	45TD20	345
SWCT2035-4N4-AA			2	1.25	8.25	4.50	0.63	4.00	1.13	45TD20	345
SWCT2039-2N-AA	397.5	336.4 (26/7), 336.4 (30/7), 397.5 (18/1)	1	1.25	7.75	4.00	0.63	2.00	1.00	45TD20	230
SWCT2039-4N-AA			2	1.25	7.75	4.00	0.63	3.00	0.63	45TD20	345
SWCT2039-4N4-AA			2	1.25	8.25	4.50	0.63	4.00	1.13	45TD20	345
SWCT2445-2N-AA	450	397.5 (24/7), 397.5 (26/7)	1	1.50	7.88	3.88	0.63	2.00	1.00	45TD24	230
SWCT2445-4N-AA			2	1.50	7.88	3.88	0.63	3.00	0.63	45TD24	345
SWCT2445-4N4-AA			2	1.50	8.88	4.88	0.63	4.00	1.13	45TD24	345
SWCT2447-2N-AA	477	397.5 (30/7)	1	1.50	7.88	3.88	0.63	2.00	1.00	45TD24	230
SWCT2447-4N-AA			2	1.50	7.88	3.88	0.63	3.00	0.63	45TD24	345
SWCT2447-4N4-AA			2	1.50	8.88	4.88	0.63	4.00	1.13	45TD24	345
SWCT2450-2N-AA	500	477 (18/1)	1	1.50	7.88	3.88	0.63	2.00	1.00	45TD24	230
SWCT2450-4N-AA			2	1.50	7.88	3.88	0.63	3.00	0.63	45TD24	345
SWCT2450-4N4-AA			2	1.50	8.88	4.88	0.63	4.00	1.13	45TD24	345
SWCT2455-2N-AA	556.5	477 (24/7), 477 (26/7)	1	1.50	7.88	3.88	0.63	2.00	1.00	45TD24	230
SWCT2455-4N-AA			2	1.50	7.88	3.88	0.63	3.00	0.63	45TD24	345
SWCT2455-4N4-AA			2	1.50	8.88	4.88	0.63	4.00	1.13	45TD24	345

continued
→



TYPE SWCT-AA
Swage Offset Cable Terminal

Ordering Information

AFL NO.	CABLE SIZE		PAD DETAIL	DIMENSIONS IN INCHES						DIE SIZE	VOLTAGE RATING (KV)
	AAC	ACSR		A	B	C	D	E	F		
SWCT2860-2N-AA	600	477 (30/7), 556.5 (18/1)	1	1.75	8.25	4.00	0.63	2.00	1.00	45TD28	230
SWCT2860-4N-AA			2	1.75	8.25	4.00	0.63	3.00	0.63	45TD28	345
SWCT2860-4N4-AA			2	1.75	8.75	4.50	0.63	4.00	1.13	45TD28	345
SWCT2863-2N-AA	636	556.5 (24/7), 556.5 (26/7)	1	1.75	8.25	4.00	0.63	2.00	1.00	45TD28	230
SWCT2863-4N-AA			2	1.75	8.25	4.00	0.63	3.00	0.63	45TD28	345
SWCT2863-4N4-AA			2	1.75	8.75	4.50	0.63	4.00	1.13	45TD28	345
SWCT2871-2N-AA	700, 715.5	556.5 (30/7), 605 (24/7), 605 (26/7), 636 (18/1), 636 (36/1)	1	1.75	8.25	4.00	0.63	2.00	1.00	45TD28	230
SWCT2871-4N-AA			2	1.75	8.25	4.00	0.63	3.00	0.63	45TD28	345
SWCT2871-4N4-AA			2	1.75	8.75	4.50	0.63	4.00	1.13	45TD28	345
SWCT3075-2N-AA	750	605 (30/7), 605 (30/19), 636 (24/7), 636 (26/7)	1	1.88	8.25	4.00	0.63	2.00	1.00	45TD30	345
SWCT3075-4N-AA			2	1.88	8.25	4.00	0.63	3.00	0.63	45TD30	345
SWCT3075-4N4-AA			2	1.88	8.75	4.50	0.63	4.00	1.13	45TD30	345
SWCT3079-2N-AA	795	636 (30/7), 636 (30/19), 715.5 (24/7), 715.5 (54/7), 795 (36/1)	1	1.88	8.25	4.00	0.63	2.00	1.00	45TD30	345
SWCT3079-4N-AA			2	1.88	8.25	4.00	0.63	3.00	0.63	45TD30	345
SWCT3079-4N4-AA			2	1.88	8.75	4.50	0.63	4.00	1.13	45TD30	345
SWCT3087-2N-AA	874.5	715.5 (26/7), 715.5 (30/19), 795 (45/7)	1	1.88	8.25	4.00	0.63	2.00	1.00	45TD30	345
SWCT3087-4N-AA			2	1.88	8.25	4.00	0.63	3.00	0.63	45TD30	345
SWCT3087-4N4-AA			2	1.88	8.75	4.50	0.63	4.00	1.13	45TD30	345
SWCT3290-2N-AA	900	795 (24/7), 795 (54/7), 795 (26/7)	1	2.00	8.38	4.00	0.75	2.00	1.00	45TD32	345
SWCT3290-4N-AA			2	2.00	8.38	4.00	0.75	3.00	0.63	45TD32	345
SWCT3290-4N4-AA			2	2.00	8.88	4.50	0.75	4.00	1.13	45TD32	345
SWCT3295-2N-AA	954	795 (30/19), 900 (45/7)	1	2.00	8.38	4.00	0.75	2.00	1.00	45TD32	345
SWCT3295-4N-AA			2	2.00	8.38	4.00	0.75	3.00	0.63	45TD32	345
SWCT3295-4N4-AA			2	2.00	8.88	4.50	0.75	4.00	1.13	45TD32	345
SWCT32100-2N-AA	1000	874.5 (54/7), 900 (54/7), 954 (45/7)	1	2.00	8.38	4.00	0.75	2.00	1.00	45TD32	345
SWCT32100-4N-AA			2	2.00	8.38	4.00	0.75	3.00	0.63	45TD32	345
SWCT32100-4N4-AA			2	2.00	8.88	4.50	0.75	4.00	1.13	45TD32	345
SWCT32103-4N-AA	1033.5	954 (54/7)	2	2.00	8.38	4.00	0.75	3.00	0.63	45TD32	345
SWCT32103-4N4-AA			2	2.00	8.88	4.50	0.75	4.00	1.13	45TD32	345
SWCT32111-4N-AA	1113	1033.5 (45/7), 1033.5 (54/7)	2	2.00	8.38	4.00	0.75	3.00	0.63	45TD32	345
SWCT32111-4N4-AA			2	2.00	8.88	4.50	0.75	4.00	1.13	45TD32	345
SWCT36119-4N-AA	1192.5	1113 (45/7)	2	2.25	8.75	4.00	0.75	3.00	0.63	45TD36	345
SWCT36119-4N4-AA			2	2.25	9.25	4.50	0.75	4.00	1.13	45TD36	345
SWCT36127-2N-AA	1272	1113 (54/19), 1192.5 (45/7)	1	2.25	9.25	4.50	0.75	2.00	1.00	45TD36	230
SWCT36127-4N-AA			2	2.25	8.75	4.00	0.75	3.00	0.63	45TD36	345
SWCT36127-4N4-AA			2	2.25	9.25	4.50	0.75	4.00	1.13	45TD36	345

continued
→



TYPE SWCT-AA
Swage Offset Cable Terminal

Ordering Information

AFL NO.	CABLE SIZE		PAD DETAIL	DIMENSIONS IN INCHES						DIE SIZE	VOLTAGE RATING (KV)
	AAC	ACSR		A	B	C	D	E	F		
SWCT36135-4N-AA	1351.5	1192.5 (54/19), 1272 (45/7)	2	2.25	8.75	4.00	0.75	3.00	0.63	45TD36	345
SWCT36135-4N4-AA			2	2.25	9.25	4.50	0.75	4.00	1.13	45TD36	345
SWCT36143-4N-AA	1431	1272 (54/19), 1351.5 (45/7)	2	2.25	8.75	4.00	0.75	3.00	0.63	45TD36	345
SWCT36143-4N4-AA			2	2.25	9.25	4.50	0.75	4.00	1.13	45TD36	345
SWCT36151-4N-AA	1510.5	1351.5 (54/19), 1431 (45/7)	2	2.25	8.75	4.00	0.75	3.00	0.63	45TD36	345
SWCT36151-4N4-AA			2	2.25	9.25	4.50	0.75	4.00	1.13	45TD36	345
SWCT36151-6N4-AA			3	2.25	10.25	5.50	0.75	6.00	1.25	45TD36	345
SWCT36159-2N-AA	1590	1431 (54/19), 1510.5 (45/7)	1	2.25	8.75	4.00	0.75	2.00	1.00	45TD36	345
SWCT36159-4N-AA			2	2.25	8.75	4.00	0.75	3.00	0.63	45TD36	345
SWCT36159-4N4-AA			2	2.25	9.25	4.50	0.75	4.00	1.13	45TD36	345
SWCT36175-4N-AA	1750	1510.5 (54/19), 1590 (45/7)	2	2.25	8.75	4.00	0.75	3.00	0.63	45TD36	345
SWCT36175-4N4-AA			2	2.25	9.25	4.50	0.75	4.00	1.13	45TD36	345
SWCT36180-4N-AA	1800	1590 (54/19)	2	2.25	8.75	4.00	0.75	3.00	0.63	45TD36	345
SWCT36180-4N4-AA			2	2.25	9.25	4.50	0.75	4.00	1.13	45TD36	345
SWCT44200-4N-AA	2000	1780 (84/19)	2	2.75	9.38	4.00	1.00	3.00	0.63	65TD44	345
SWCT44200-4N4-AA			2	2.75	9.88	4.50	1.00	4.00	1.13	65TD44	345
SWCT44200-6N4-AA			3	2.75	9.88	4.50	1.00	6.00	1.13	65TD44	345
SWCT44193TW-4N4-AA	-	1926.9 (42/14) TW	2	2.75	10.88	5.50	1.00	4.00	1.13	65TD44	345
SWCT44230-4N-AA	2250	2156 (84/19), 2167 (72/7)	2	2.75	9.38	4.00	1.00	3.00	0.63	65TD44	345
SWCT44230-4N4-AA			2	2.75	9.88	4.50	1.00	4.00	1.13	65TD44	345
SWCT44250-4N-AA	2500	2312 (76/19)	2	2.75	9.38	4.00	1.00	3.00	0.63	65TD44	345
SWCT44250-4N4-AA			2	2.75	9.88	4.50	1.00	4.00	1.13	65TD44	345