

TYPE SWCTC-AA Swage Cable Center-Formed Terminal

A swage type cable center-formed terminal on a nema pad.

Material

Aluminum Alloy

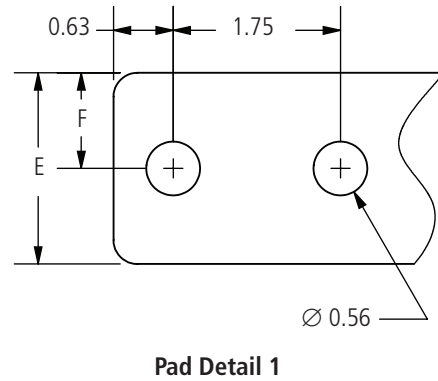
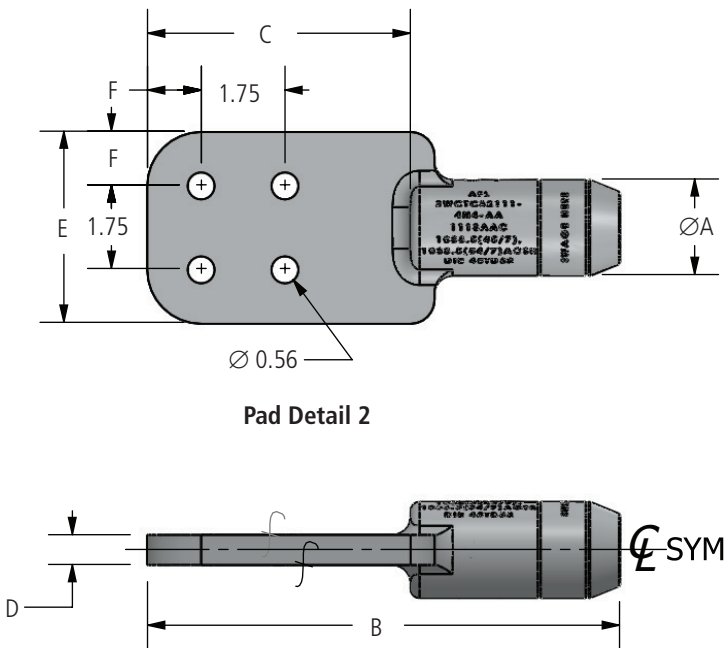
Notes

- Prefilled with AFL Filler Compound (AFC) and capped.
- For Electro Tin plate add "-SN" to AFL No. EX: SWCTC2026-4N-AA-SN

f—Machine Finish



SWAGE360[®] Cable Accessories



Ordering Information

AFL NO.	CABLE SIZE		PAD DETAIL	DIMENSIONS IN INCHES						DIE SIZE
	AAC	ACSR		A	B	C	D	E	F	
SWCTC1613-2N-AA	2/0	1/0 (6/1)	1	1.00	7.50	4.25	0.38	2.00	1.00	45TD16
SWCTC1613-4N-AA			2	1.00	7.50	4.25	0.38	3.00	0.63	45TD16
SWCTC1613-4N4-AA			2	1.00	8.50	5.25	0.38	4.00	1.13	45TD16
SWCTC1617-2N-AA	3/0	2/0 (6/1)	1	1.00	7.50	4.25	0.38	2.00	1.00	45TD16
SWCTC1617-4N-AA			2	1.00	7.50	4.25	0.38	3.00	0.63	45TD16
SWCTC1617-4N4-AA			2	1.00	8.50	5.25	0.38	4.00	1.13	45TD16
SWCTC1621-2N-AA	4/0	3/0 (6/1)	1	1.00	7.50	4.25	0.38	2.00	1.00	45TD16
SWCTC1621-4N-AA			2	1.00	7.50	4.25	0.38	3.00	0.63	45TD16
SWCTC1621-4N4-AA			2	1.00	8.50	5.25	0.38	4.00	1.13	45TD16

continued
→



TYPE SWCTC-AA
Swage Cable Center-Formed Terminal

Ordering Information

AFL NO.	CABLE SIZE		PAD DETAIL	DIMENSIONS IN INCHES						DIE SIZE
	AAC	ACSR		A	B	C	D	E	F	
SWCTC1625-2N-AA	250	4/0 (6/1)	1	1.00	7.50	4.25	0.38	2.00	1.00	45TD16
SWCTC1625-4N-AA			2	1.00	7.50	4.25	0.38	3.00	0.63	45TD16
SWCTC1625-4N4-AA			2	1.00	8.50	5.25	0.38	4.00	1.13	45TD16
SWCTC2026-2N-AA	266.8	266.8 (18/1)	1	1.25	8.00	4.25	0.63	2.00	1.00	45TD20
SWCTC2026-4N-AA			2	1.25	8.00	4.25	0.63	3.00	0.63	45TD20
SWCTC2026-4N4-AA			2	1.25	9.00	5.25	0.63	4.00	1.13	45TD20
SWCTC2030-2N-AA	300	266.8 (26/7)	1	1.25	8.00	4.25	0.63	2.00	1.00	45TD20
SWCTC2030-4N-AA			2	1.25	8.00	4.25	0.63	3.00	0.63	45TD20
SWCTC2030-4N4-AA			2	1.25	9.00	5.25	0.63	4.00	1.13	45TD20
SWCTC2035-2N-AA	336.4, 350	300 (26/7), 336.4 (18/1)	1	1.25	8.00	4.25	0.63	2.00	1.00	45TD20
SWCTC2035-4N-AA			2	1.25	8.00	4.25	0.63	3.00	0.63	45TD20
SWCTC2035-4N4-AA			2	1.25	9.00	5.25	0.63	4.00	1.13	45TD20
SWCTC2039-2N-AA	397.5	336.4 (26/7), 336.4 (30/7), 397.5 (18/1)	1	1.25	8.00	4.25	0.63	2.00	1.00	45TD20
SWCTC2039-4N-AA			2	1.25	8.00	4.25	0.63	3.00	0.63	45TD20
SWCTC2039-4N4-AA			2	1.25	9.00	5.25	0.63	4.00	1.13	45TD20
SWCTC2445-2N-AA	450	397.5 (24/7), 397.5 (26/7)	1	1.50	8.00	4.00	0.63	2.00	1.00	45TD24
SWCTC2445-4N-AA			2	1.50	8.00	4.00	0.63	3.00	0.63	45TD24
SWCTC2445-4N4-AA			2	1.50	9.00	5.00	0.63	4.00	1.13	45TD24
SWCTC2447-2N-AA	477	397.5 (30/7)	1	1.50	8.00	4.00	0.63	2.00	1.00	45TD24
SWCTC2447-4N-AA			2	1.50	8.00	4.00	0.63	3.00	0.63	45TD24
SWCTC2447-4N4-AA			2	1.50	9.00	5.00	0.63	4.00	1.13	45TD24
SWCTC2450-2N-AA	500	477 (18/1)	1	1.50	8.00	4.00	0.63	2.00	1.00	45TD24
SWCTC2450-4N-AA			2	1.50	8.00	4.00	0.63	3.00	0.63	45TD24
SWCTC2450-4N4-AA			2	1.50	9.00	5.00	0.63	4.00	1.13	45TD24
SWCTC2455-2N-AA	556.5	477 (24/7), 477 (26/7)	1	1.50	8.00	4.00	0.63	2.00	1.00	45TD24
SWCTC2455-4N-AA			2	1.50	8.00	4.00	0.63	3.00	0.63	45TD24
SWCTC2455-4N4-AA			2	1.50	9.00	5.00	0.63	4.00	1.13	45TD24
SWCTC2860-2N-AA	600	477 (30/7), 556.5 (18/1)	1	1.75	8.25	4.00	0.63	2.00	1.00	45TD28
SWCTC2860-4N-AA			2	1.75	8.25	4.00	0.63	3.00	0.63	45TD28
SWCTC2860-4N4-AA			2	1.75	9.25	5.00	0.63	4.00	1.13	45TD28
SWCTC2863-2N-AA	636	556.5 (24/7), 556.5 (26/7)	1	1.75	8.25	4.00	0.63	2.00	1.00	45TD28
SWCTC2863-4N-AA			2	1.75	8.25	4.00	0.63	3.00	0.63	45TD28
SWCTC2863-4N4-AA			2	1.75	9.25	5.00	0.63	4.00	1.13	45TD28
SWCTC2871-2N-AA	700, 715.5	556.5 (30/7), 605 (24/7), 605 (26/7), 636 (18/1), 636 (36/1)	1	1.75	8.25	4.00	0.63	2.00	1.00	45TD28
SWCTC2871-4N-AA			2	1.75	8.25	4.00	0.63	3.00	0.63	45TD28
SWCTC2871-4N4-AA			2	1.75	9.25	5.00	0.63	4.00	1.13	45TD28
SWCTC3075-2N-AA	750	605 (30/7), 605 (30/19), 636 (24/7), 636 (26/7)	1	1.88	8.25	4.00	0.63	2.00	1.00	45TD30
SWCTC3075-4N-AA			2	1.88	8.25	4.00	0.63	3.00	0.63	45TD30
SWCTC3075-4N4-AA			2	1.88	9.25	5.00	0.63	4.00	1.13	45TD30

continued
→

SWAGE360® Cable Accessories



TYPE SWCTC-AA
Swage Cable Center-Formed Terminal

Ordering Information

AFL NO.	CABLE SIZE		PAD DETAIL	DIMENSIONS IN INCHES						DIE SIZE
	AAC	ACSR		A	B	C	D	E	F	
SWCTC3079-2N-AA	795	636 (30/7),	1	1.88	8.25	4.00	0.63	2.00	1.00	45TD30
SWCTC3079-4N-AA		636 (30/19),	2	1.88	8.25	4.00	0.63	3.00	0.63	45TD30
SWCTC3079-4N4-AA		715.5 (24/7), 715.5 (54/7), 795 (36/1)	2	1.88	9.25	5.00	0.63	4.00	1.13	45TD30
SWCTC3087-2N-AA	874.5	715.5 (26/7),	1	1.88	8.25	4.00	0.63	2.00	1.00	45TD30
SWCTC3087-4N-AA		715.5 (30/19),	2	1.88	8.25	4.00	0.63	3.00	0.63	45TD30
SWCTC3087-4N4-AA		795 (45/7)	2	1.88	9.25	5.00	0.63	4.00	1.13	45TD30
SWCTC3290-2N-AA	900	795 (24/7),	1	2.00	8.38	4.00	0.75	2.00	1.00	45TD32
SWCTC3290-4N-AA		795 (54/7),	2	2.00	8.38	4.00	0.75	3.00	0.63	45TD32
SWCTC3290-4N4-AA		795 (26/7)	2	2.00	9.38	5.00	0.75	4.00	1.13	45TD32
SWCTC3295-2N-AA	954	795 (30/19),	1	2.00	8.38	4.00	0.75	2.00	1.00	45TD32
SWCTC3295-4N-AA		900 (45/7)	2	2.00	8.38	4.00	0.75	3.00	0.63	45TD32
SWCTC3295-4N4-AA			2	2.00	9.38	5.00	0.75	4.00	1.13	45TD32
SWCTC32100-2N-AA	1000	874.5 (54/7),	1	2.00	8.38	4.00	0.75	2.00	1.00	45TD32
SWCTC32100-4N-AA		900 (54/7),	2	2.00	8.38	4.00	0.75	3.00	0.63	45TD32
SWCTC32100-4N4-AA		954 (45/7)	2	2.00	9.38	5.00	0.75	4.00	1.13	45TD32
SWCTC32103-4N-AA	1033.5	954 (54/7)	2	2.00	8.38	4.00	0.75	3.00	0.63	45TD32
SWCTC32103-4N4-AA			2	2.00	9.38	5.00	0.75	4.00	1.13	45TD32
SWCTC32111-4N-AA	1113	1033.5 (45/7),	2	2.00	8.38	4.00	0.75	3.00	0.63	45TD32
SWCTC32111-4N4-AA		1033.5 (54/7)	2	2.00	9.38	5.00	0.75	4.00	1.13	45TD32
SWCTC36119-4N-AA	1192.5	1113 (45/7)	2	2.25	8.75	4.00	0.75	3.00	0.63	45TD36
SWCTC36119-4N4-AA			2	2.25	9.75	5.00	0.75	4.00	1.13	45TD36
SWCTC36127-4N-AA	1272	1113 (54/19),	2	2.25	8.75	4.00	0.75	3.00	0.63	45TD36
SWCTC36127-4N4-AA		1192.5 (45/7)	2	2.25	9.75	5.00	0.75	4.00	1.13	45TD36
SWCTC36135-4N-AA	1351.5	1192.5 (54/19), 1272 (45/7)	2	2.25	8.75	4.00	0.75	3.00	0.63	45TD36
SWCTC36135-4N4-AA			2	2.25	9.75	5.00	0.75	4.00	1.13	45TD36
SWCTC36143-4N-AA	1431	1272 (54/19),	2	2.25	8.75	4.00	0.75	3.00	0.63	45TD36
SWCTC36143-4N4-AA		1351.5 (45/7)	2	2.25	9.75	5.00	0.75	4.00	1.13	45TD36
SWCTC36151-4N-AA	1510.5	1351.5 (54/19), 1431 (45/7)	2	2.25	8.75	4.00	0.75	3.00	0.63	45TD36
SWCTC36151-4N4-AA			2	2.25	9.75	5.00	0.75	4.00	1.13	45TD36
SWCTC36159-4N-AA	1590	1431 (54/19),	2	2.25	8.75	4.00	0.75	3.00	0.63	45TD36
SWCTC36159-4N4-AA		1510.5 (45/7)	2	2.25	9.75	5.00	0.75	4.00	1.13	45TD36
SWCTC36175-4N-AA	1750	1510.5 (54/19), 1590 (45/7)	2	2.25	8.75	4.00	0.75	3.00	0.63	45TD36
SWCTC36175-4N4-AA			2	2.25	9.75	5.00	0.75	4.00	1.13	45TD36
SWCTC36180-4N-AA	1800	1590 (54/19)	2	2.25	8.75	4.00	0.75	3.00	0.63	45TD36
SWCTC36180-4N4-AA			2	2.25	9.75	5.00	0.75	4.00	1.13	45TD36
SWCTC44200-4N-AA	2000	1780 (84/19)	2	2.75	9.38	4.00	1.00	3.00	0.63	65TD44
SWCTC44200-4N4-AA			2	2.75	10.38	5.00	1.00	4.00	1.13	65TD44
SWCTC44230-4N-AA	2250	2156 (84/19), 2167 (72/7)	2	2.75	9.38	4.00	1.00	3.00	0.63	65TD44
SWCTC44230-4N4-AA			2	2.75	10.38	5.00	1.00	4.00	1.13	65TD44
SWCTC44250-4N-AA	2500	2312 (76/19)	2	2.75	9.38	4.00	1.00	3.00	0.63	65TD44
SWCTC44250-4N4-AA			2	2.75	10.38	5.00	1.00	4.00	1.13	65TD44

SWAGE360® Cable Accessories