

TYPE SWEP-V-AA Swage High Voltage Bus Elbow

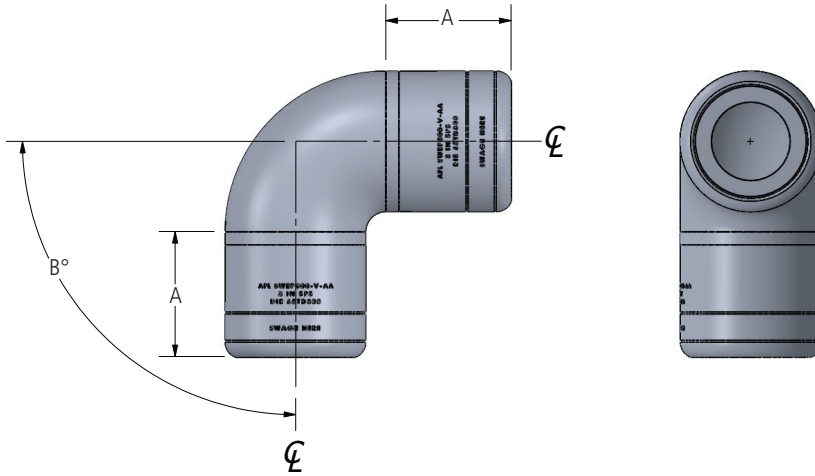
A Swage type elbow bus for use in high-voltage applications.

Material

Aluminum Alloy

Notes

- Bore will be lined with AFL Filler compound (AFC) and capped.
- 5" and 6" S.P.S. parts require double swages.



Ordering Information

AFL NO.	S.P.S.	DIMENSIONS IN INCHES		DIE SIZE
		A	B	
SWEP300-V-AA	3	3.90	90	65TD300
SWEP300-30-V-AA	3	3.90	30	65TD300
SWEP300-45-V-AA	3	3.90	45	65TD300
SWEP300-60-V-AA	3	3.90	60	65TD300
SWEP350-V-AA	3.5	3.97	90	65TD350
SWEP350-30-V-AA	3.5	3.97	30	65TD350
SWEP350-45-V-AA	3.5	3.97	45	65TD350
SWEP350-60-V-AA	3.5	3.97	60	65TD350
SWEP400-V-AA	4	3.97	90	65TD400
SWEP400-30-V-AA	4	3.97	30	65TD400
SWEP400-45-V-AA	4	3.97	45	65TD400
SWEP400-60-V-AA	4	3.97	60	65TD400
SWEP500-V-AA	5	6.16	90	85TD500
SWEP500-15-V-AA	5	6.16	15	85TD500
SWEP500-20-V-AA	5	6.16	20	85TD500
SWEP500-22-V-AA	5	6.16	22	85TD500
SWEP500-30-V-AA	5	6.16	30	85TD500
SWEP500-45-V-AA	5	6.16	45	85TD500
SWEP500-60-V-AA	5	6.16	60	85TD500
SWEP600-V-AA	6	7.15	90	115TD600
SWEP600-30-V-AA	6	7.15	30	115TD600
SWEP600-45-V-AA	6	7.15	45	115TD600
SWEP600-60-V-AA	6	7.15	60	115TD600