

TYPE SWGX Swage Cross

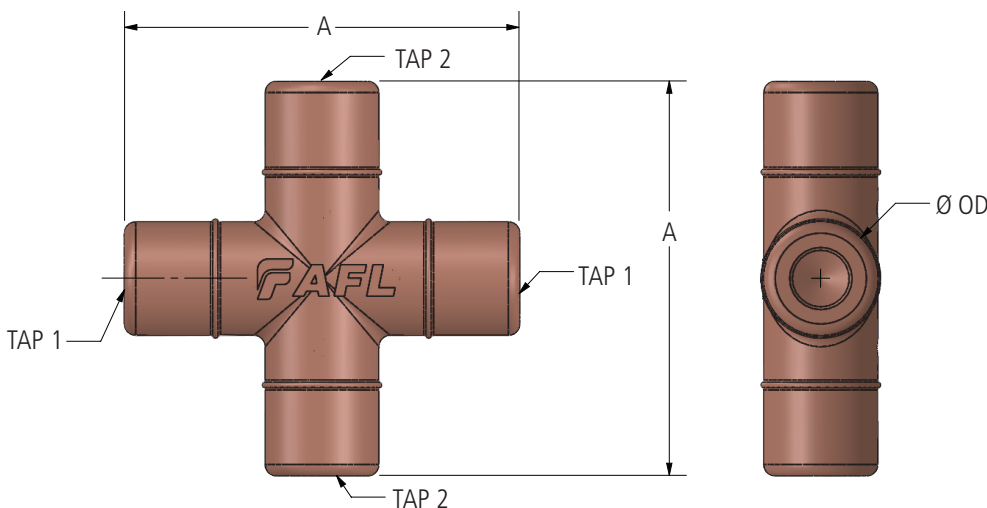
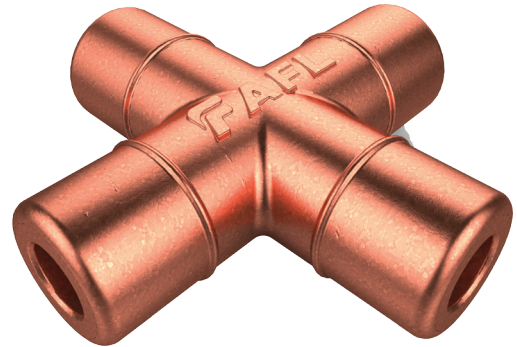
A Swage type four-tap connector cross connects four cable or rod together.

Material

Copper Alloy

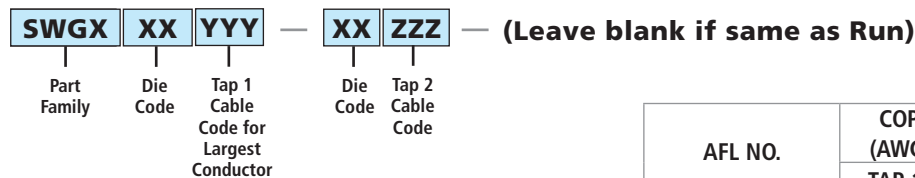
Notes

- For tin plating, add "-SN" to end of catalog number. EX: SWGX2025-SN.
- For detailed conductor range information, please see page 33 (L11557).



GROUNDING

Ordering Information



Die Code comes from maximum connector OD from Table at right.

- EX: Tin-plated cross for 500MCM Cu to 250MCM Cu is SWGX2450-2425-SN
- EX: Cross for 250MCM Cu to 250MCM is SWGX2025

AFL NO.	COPPER CABLE (AWG OR KCMIL)		DIMENSIONS IN INCHES		DIE SIZE
	TAP 1	TAP 2	OD	A	
SWG2013	1/0-2/0	1/0-2/0	1.25	4.34	45TD20
SWG2017	3/0	3/0	1.25	4.34	45TD20
SWG2021	4/0	4/0	1.25	4.34	45TD20
SWG2025-2013	250	1/0-2/0	1.25	4.34	45TD20
SWG2025-2021	250	4/0	1.25	4.34	45TD20
SWG2025	250	250	1.25	4.34	45TD20
SWG2025-2035	250	350	1.25	4.34	45TD20
SWG2413-2450	1/0-2/0	500	1.50	4.60	45TD24
SWG2421	4/0	4/0	1.50	4.60	45TD24
SWG2430-2425	300	250	1.50	4.60	45TD24
SWG2450-2425	500	250	1.50	4.60	45TD24
SWG2450	500	500	1.50	4.60	45TD24