

## TYPE SWGES Swage Split Elbow

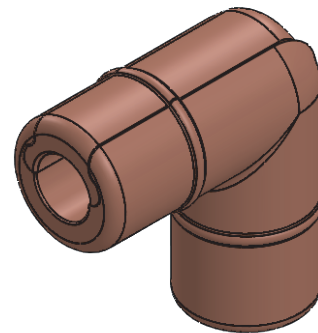
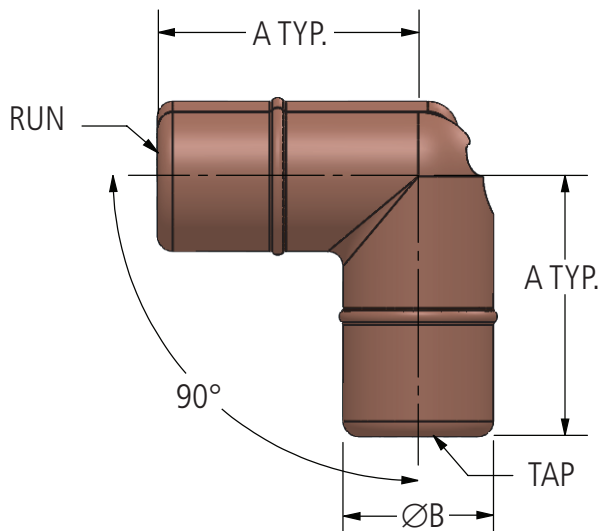
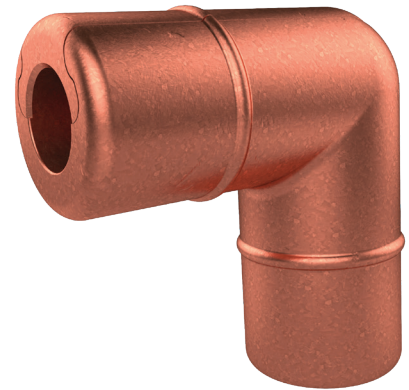
A swage type split elbow connects a cable or rod at a 90-degree angle to the main run. This part features a sliding channel for ease of installation.

### Material

Copper Alloy

### Notes

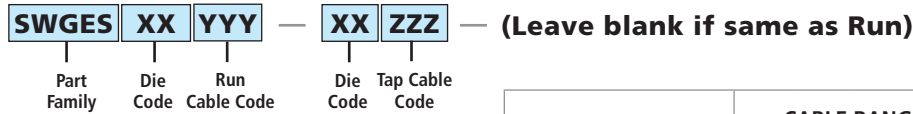
- For tin plating, add "-SN" to end of catalog number EX: SWGES2450-SN
- For detailed conductor range information, please see page 33 (L11557).



*continued*  
→

## TYPE SWGES Swage Split Elbow

### Ordering Information



Die Code comes from maximum connector OD from Table at right.

- EX: Tin plated split elbow for 250MCM Cu to 500MCM Cu is SWGES2425-2450-SN
- EX: Split elbow for 250MCM Cu to 500MCM is SWGES2425-2450

AFL NO.	CABLE RANGE		DIMENSIONS IN INCHES		DIE SIZE		
	RUN	TAP	A	B			
SWGES202-2021	#6	4/0	2.17	1.25	45TD20		
SWGES2013-206	1/0	2/0	#2	2.17	1.25	45TD20	
SWGES2013			1/0	2/0	2.17	1.25	45TD20
SWGES2013-2017			3/0	2.17	1.25	45TD20	
SWGES2013-2025			250	2.17	1.25	45TD20	
SWGES2013-2035			5/8" ROD	2.17	1.25	45TD20	
SWGES2013-2045			3/4" ROD	2.17	1.25	45TD20	
SWGES2017			3/0	3/0	2.17	1.25	45TD20
SWGES2017-2021	4/0	2.17		1.25	45TD20		
SWGES2017-2025	250	2.17		1.25	45TD20		
SWGES2021-2013	4/0	2/0	1/0	2.17	1.25	45TD20	
SWGES2021-2017			3/0	2.17	1.25	45TD20	
SWGES2021			4/0	2.17	1.25	45TD20	
SWGES2021-2025			250	2.17	1.25	45TD20	
SWGES2021-2035			350	2.17	1.25	45TD20	
SWGES2021-2045			3/4" ROD	2.17	1.25	45TD20	
SWGES2021-2075C			3/4" ROD	2.17	1.25	45TD20	
SWGES2025-2021			250	4/0	2.17	1.25	45TD20
SWGES2025	250	2.17		1.25	45TD20		
SWGES2025-2045	3/4" ROD	2.17		1.25	45TD20		
SWGES2025-2075C	3/4" ROD	2.17		1.25	45TD20		
SWGES2421-2450	4/0	500	2.30	1.50	45TD24		
SWGES2425-2435	250	350	2.30	1.50	45TD24		
SWGES2430-2421	300	4/0	2.30	1.50	45TD24		
SWGES2430		300	2.30	1.50	45TD24		
SWGES2435-2421	350	4/0	2.30	1.50	45TD24		
SWGES2435		350	2.30	1.50	45TD24		
SWGES2435-2425		250	2.30	1.50	45TD24		
SWGES2435-2440		400	2.30	1.50	45TD24		
SWGES2450-2421	500	4/0	2.30	1.50	45TD24		
SWGES2450-2425		250	2.30	1.50	45TD24		
SWGES2450		500	2.30	1.50	45TD24		