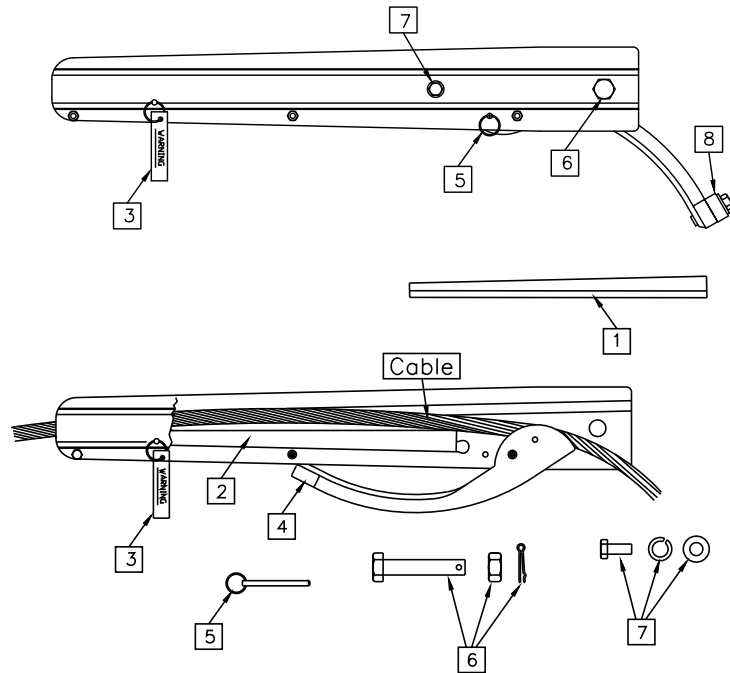


## Installation Instructions for OPGW Wedge Dead End

**NOTE:** Except as may be otherwise provided by contract, these drawings and/or specifications are the property of AFL, are issued in strict confidence, and shall not be reproduced or copied or used as the basis for manufacture or sale of product without permission.

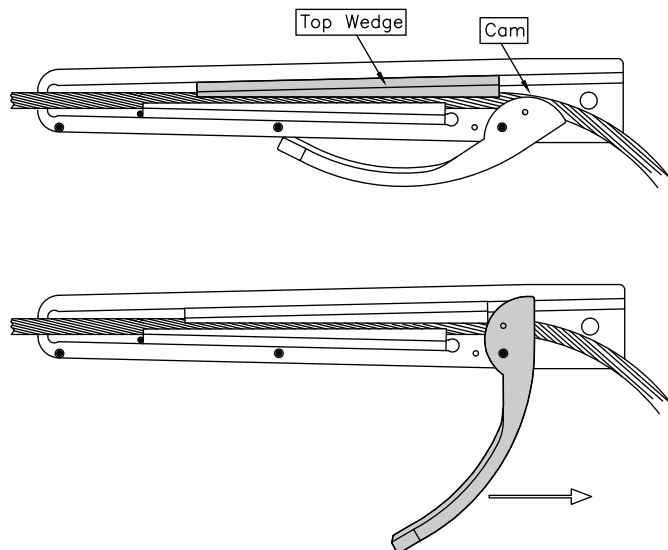
### Parts of the Assembly

1. Top Wedge
2. Bottom Wedge
3. Wedge Retaining Pin (with Warning Label)
4. Cam/Cable Guide
5. Cable Guide Retaining Pin
6. Attachment Hardware
7. Grounding Hardware
8. Keeper



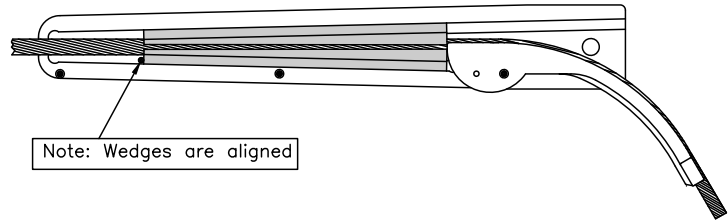
### Installation Instructions

1. Hardware items (Items 6 & 7) are removed.
2. Top Wedge (Item 1) is removed.
3. Cable Guide Retaining Pin (Item 5) is removed.
4. Cam/Cable Guide (Item 4) is advanced as shown.
5. Cable is installed through the open top of the assembly and seated in Bottom Wedge.
6. Top wedge is installed and pushed beyond the "Cam" of the Cam/Cable Guide (Item 4).
7. The Cam/Cable Guide is pulled back to advance the top wedge.



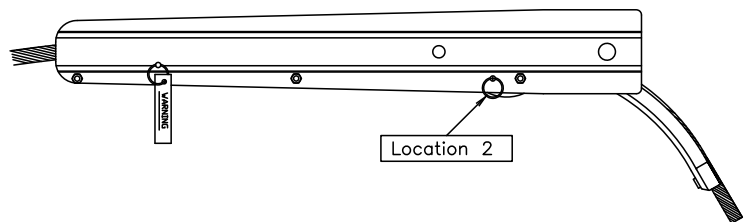
## Installation Instructions for OPGW Wedge Dead End (cont.)

8. When Cam/Cable Guide is pulled back to position as shown, the Top Wedge will be inline with the Bottom Wedge.



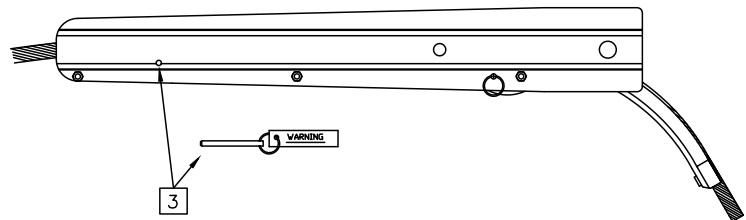
9. Replace Cable Guide Retaining Pin (Item 5) in "Location 2".

**NOTE:** Retaining Pin is installed through both side plates and holes shown at Location 2.



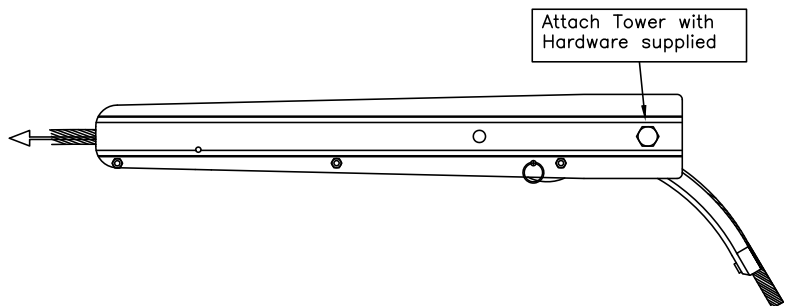
10. Remove Wedge Retaining Pin (Item 3).

**NOTE:** If Wedge Retaining Pin (Item 3) is not removed the dead end will not hold tension.

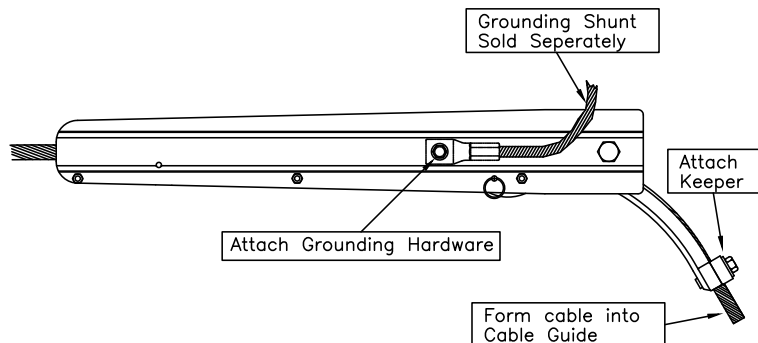


11. Attach OPGW Wedge Dead End to the tower with bolt, nut, and cotter pin supplied. Release tension on comealong. The wedges (Items 1 & 2) will advance, gripping the cable securely.

**NOTE:** A comealong is a temporary device which holds the cable during tensioning. The comealong is attached to a tensioning device, which is then attached to the tower. The comealong is located a distance from the end of the cable, leaving the end of the cable free to attaching the dead end.



12. Form cable into the groove of the Cam/Cable Guide, then attach keeper (Item 8) with lockwashers and green break-away bolts alternately tightening bolts by 2 ft.-lbs. Repeat until break-away head breaks off. Care should be taken during installation to maintain the keeper squarely on the conductor with equal clearance on both sides of conductor.



13. Attach grounding shunt with hardware provided. Torque bolts to 25 lbf.-ft. (34 N.m)

**NOTE:** Grounding Shunt sold separately. Contact customer service for ordering information.

14. Assembly is complete.