

## DOSSERT® TYPE WCI-AA, WCI-E-AA

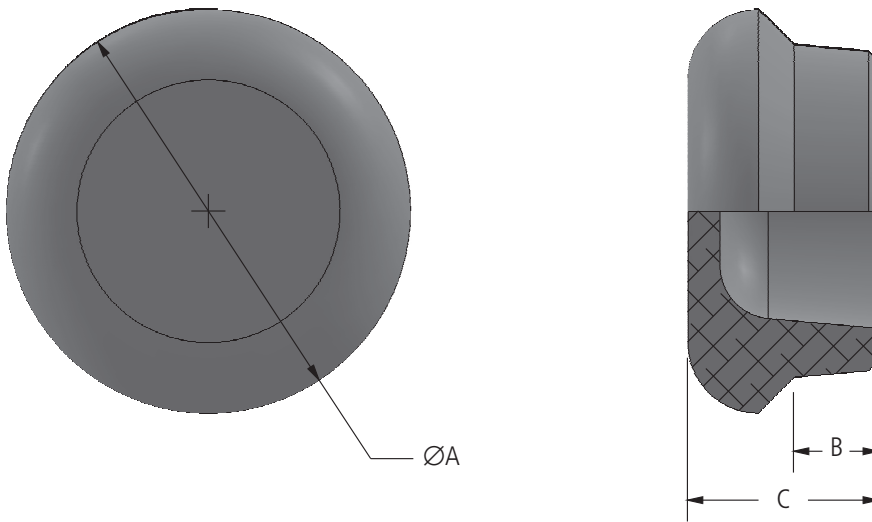
### Aluminum Welded, Internal Fit, Corona / End Bell

Internal fit corona or end bell for aluminum pipe or tube. Bell is inserted into pipe end and field welded.



#### Material

Aluminum Alloy



230 kV Aluminum Welded End Bells

### Ordering Information

CATALOG NUMBER		SPS	DIMENSIONS IN INCHES		
SCH 40	SCH 80		A	B	C
WCI75-AA	WCI75E-AA	3/4	1-1/16	7/16	7/8
WCI100-AA	WCI100E-AA	1	1-5/16	7/16	7/8
WCI125-AA	WCI125E-AA	1-1/4	1-21/32	1/2	1
WCI150-AA	WCI150E-AA	1-1/2	1-29/32	1/2	1-1/8
WCI200-AA	WCI200E-AA	2	2-3/8	1/2	1-1/8
WCI250-AA	WCI250E-AA	2-1/2	2-7/8	5/8	1-3/8
WCI300-AA	WCI300E-AA	3	3-1/2	1	2-1/8
WCI350-AA	WCI350E-AA	3-1/2	4	1	2
WCI400-AA	WCI400E-AA	4	4-1/2	1	2
WCI500-AA	WCI500E-AA	5	5-9/16	1-1/4	2-1/4
WCI600-AA	WCI600E-AA	6	6-5/8	1-1/4	2-1/4
WCI600-5/8-AA	—	6	6-5/8	1	2