

## LightLink LANSystem 10RU Fiber Patch and Splice Panel

The AFL 10RU Fiber Patch and Splice Panel is designed for use as a rack mount interconnect point where termination and connectivity of up to 288 fibers is desired. The standard density, two panel design is based on a 10 rack unit height comprised of a 5RU Termination Patch Panel and a 5RU Optical Splice Shelf. The 5RU Termination Patch Panel includes a master plate that is provisioned with 12 LGX® 170 compatible mounting positions. The 5RU Optical Splice Shelf utilizes six STF-48 telescoping splice drawers.

Standard 10RU Fiber Patch and Splice Panels are available empty for complete field configuration, half loaded with adapter plates and STF-48 telescoping splice trays, or loaded with pigtails, adapter plates and STF-48 telescoping splice trays.

### Specifications

- Designed around Telcordia® GR-63NEBS
- Aluminum construction per ASTM B209
- Durable textured powder coat finish available in black or white
- Universal 19/23" EIA/TIA rack compatibility
- Standard density: up to 288 fiber
- Fiber storage capacity—one meter per spliced fiber (3 mm jacket)
- Uses six STF-48 telescoping splice drawers
- Two panel package Standard Density: 5U patch and 5U splice
- 12 LGX 170 mm positions

### Features

- Fits comfortably into new and existing interconnect, cross-connect, customer premise, and co-location environments
- Most common connector styles and types available
- Compatible with industry standard equipment frames
- LGX compatible master plate (170 mm)
- Modular design
- Compact and versatile method of organizing splicing and connectivity

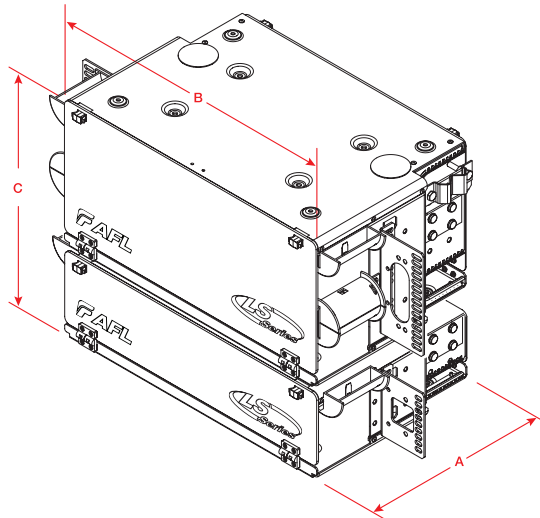
- Provides maximum protection of optical components

### Applications

- Telecommunications closets
- Data Centers
- Customer Premise
- LAN / WAN Networks
- Central Offices / Headends
- Hubs / Cabinets / Remote Terminals
- FTTH / FTTB Networks

### Dimensions

PANEL VERSION	DEPTH (A) IN INCHES	WIDTH (B) IN INCHES	HEIGHT (C) IN INCHES	RACK UNITS	FIBER CAPACITY
Standard	11.00	17.00	17.5	10	288



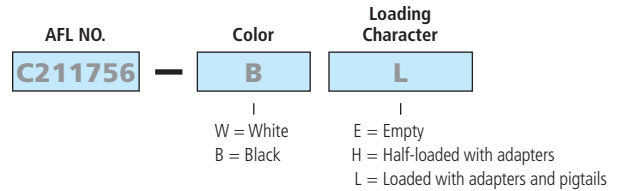
LGX is a registered trademark of Furukawa Electric North America, Inc.

Telcordia is a registered trademark of Telcordia Technologies, Inc.

## LightLink LANSystem 10RU Fiber Patch and Splice Panel

### Ordering Information

Select the seven-digit AFL number, specify the color and choose the loading character desired.



**Example:** Order number for a panel Black in color, loaded with master plate, adapter plates, 144 UDL adapters (12 Twelve packs), splice drawer (6-48 position), pigtails with connectors, hardware, cable clamp.

**Empty** - Includes master plate, mounting hardware, cable clamp.

**Unloaded** - Includes master plate, adapter plates, adapters, splice drawer (48 & up), hardware, cable clamp.

**Loaded** - Includes master plate, adapter plates, adapters, splice drawer (48 & up), pigtails with connectors, hardware, cable clamp.

### Configuration Part Numbers

CONFIGURATION	AFL NO.
<b>CNS288P—10U PATCH &amp; SPLICE PANELS</b> (1 EA. 5U PATCH, 5U SPLICE)— <b>LGX170</b>	
144 UDL (dup) adapters (12 Twelve Packs) Splice Drawers (6-48 position)	C211756
144 PDL (dup) adapters (12 Twelve Packs) Splice Drawers (6-48 position)	C211763
144 USF (dup) adapters (12 Twelve Packs) Splice Drawers (6-48 position)	FM000265
144 ASF (dup) adapters (12 Twelve Packs) Splice Drawers (6-48 position)	FM000266

#### Notes:

- 1) All MM cable is 62.5 µm unless otherwise specified.
- 2) When ordering Empty Termination Patch/Splice Panel, accessories are available for field configuration.

### Accessories

DESCRIPTION	AFL NO.
STF-48 Telescoping Splice Drawer	911442-00-00

### Connector/Adapter Key

TYPE	DESCRIPTION
ASC	SC—Angle Polish, Simplex, SM
ASF	SC—Angle Polish, Duplex, SM
PSC	SC—Physical Polish, Simplex, MM
PSF	SC—Physical Polish, Duplex, MM
USC	SC—Ultra Polish, Simplex, SM
USF	SC—Ultra Polish, Duplex, SM
PST	ST—Physical Polish, Simplex, MM
UST	ST—Ultra Polish, Simplex, SM
AFC	FC—Angle Polish, Simplex, SM
PFC	FC—Physical Polish, Simplex, MM
UFC	FC—Ultra Polish, Simplex, SM
ADL	LC—Angle Polish, Duplex, SM
PLC	LC—Physical Polish, Simplex, MM
PDL	LC—Physical Polish, Duplex, MM
ULC	LC—Ultra Polish, Simplex, SM
UDL	LC—Ultra Polish, Duplex, SM