



LightLink LANSystem 6RU Fiber Patch and Splice Panel

The AFL 6RU Fiber Patch and Splice Panel is designed for use as a rack mount interconnect point where termination and connectivity of up to 96 fibers is desired. The two panel design is based on a 6-rack unit height comprised of a 3RU Termination Patch Panel and a 3RU Optical Splice Shelf. The 3RU Termination Patch Panel is provisioned with nine LGX® 118 compatible mounting positions. The 3RU Optical Splice Shelf utilizes two STF-48 telescoping splice drawers.

Standard 6RU Fiber Patch and Splice Panels are available empty for complete field configuration, half loaded with adapter plates and STF-48 telescoping splice trays, or loaded with pigtails, adapter plates and STF-48 telescoping splice trays.

Specifications

- Designed around Telcordia® GR-63NEBS
- Aluminum construction per ASTMB209
- Durable textured powder coat finish available in black or white
- Universal 19/23" EIA/TIA rack compatibility
- Standard density: up to 48-fiber
- High density: up to 96-fiber
- Fiber storage capacity—one meter per spliced fiber (3 mm jacket)
- Uses two STF-48 telescoping splice drawers
- Two panel package—3U patch, 3U splice
- Nine LGX 118 mm positions

Features

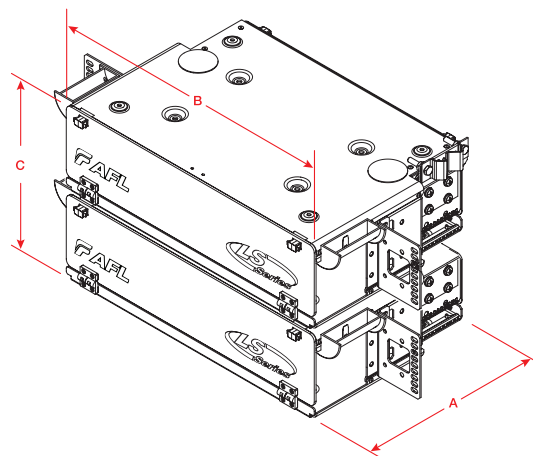
- Fits comfortably into new and existing interconnect, cross-connect, customer premise and co-location environments
- Most common connector styles and types available
- Compatible with industry standard equipment frames
- LGX-compatible master plate (118 mm)
- Modular design
- Compact and versatile method of organizing splicing and connectivity
- Provides maximum protection of optical components

Applications

- Telecommunications closets
- Data Centers
- Customer Premise
- LAN / WAN Networks
- Central Offices / Headends
- Hubs / Cabinets / Remote Terminals
- FTTH / FTTB Networks

Dimensions

DEPTH (A) IN INCHES	WIDTH (B) IN INCHES	HEIGHT (C) IN INCHES	RACK UNITS	FIBER CAPACITY
11.00	17.00	10.5	6	48/96

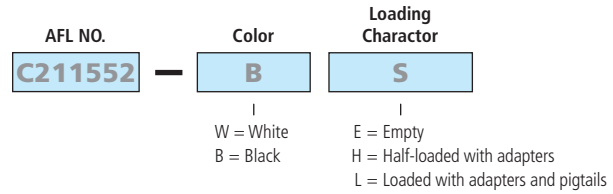


LGX is a registered trademark of Furukawa Electric North America, Inc.
Telcordia is a registered trademark of Telcordia Technologies, Inc.

LightLink LANSystem 6RU Fiber Patch and Splice Panel

Ordering Information

Select the seven-digit AFL panel part number, specify the color and choose the loading character desired.



Example: Order number for a panel Black in color, loaded with, master plate, adapter plates, 48 PSC adapters (8 Six packs), splice drawer (2-48 position), pigtails with connectors, hardware, cable clamp.

Empty - Includes master plate, mounting hardware, cable clamp.

Unloaded - Includes master plate, adapter plates, adapters, splice drawer (48 & up), hardware, cable clamp.

Loaded - Includes master plate, adapter plates, adapters, splice drawer (48 & up), pigtails with connectors, hardware, cable clamp.

Configuration Part Numbers

CONFIGURATION	AFL NO.
CNS048P—6U PATCH & SPLICE PANELS (1 EA. 3U PATCH, 3U SPLICE)—LGX118	
EMPTY	C211534
48 PSC adapters (8 Six Packs) Splice Drawer (2-48 position)	C211552
48 UST adapters (8 Six Packs) Splice Drawer (2-48 position)	C211579
48 PST adapters (8 Six Packs) Splice Drawer (2-48 position)	C211588
24 UDL (dup) adapters (8 Three Packs) Splice Drawer (2-48 position)	FM000234
24 PDL (dup) adapters (8 Three Packs) Splice Drawer (2-48 position)	FM000235
48 ASC adapters (8 Six Packs) Splice Drawer (2-48 position)	C210928
48 UFC adapters (8 Six Packs) Splice Drawer (2-48 position)	C210913
48 USC adapters (8 Six Packs) Splice Drawer (2-48 position)	C210922
48 AFC adapters (8 Six Packs) Splice Drawer (2-48 position)	C210917
24 PSF (dup) adapters (8 Three Packs) Splice Drawer (2-48 position)	FM000236
24 USF (dup) adapters (8 Three Packs) Splice Drawer (2-48 position)	FM000237
24 ASF (dup) adapters (8 Three Packs) Splice Drawer (2-48 position)	FM000238
CNS096HD—6U HIGH DENSITY PATCH & SPLICE PANELS—LGX118	
96 UST adapters (8 Twelve Packs) Splice Drawer 2-48 position)	FM000240
96 PST adapters (8 Twelve Packs) Splice Drawer (2-48 position)	FM000241
48 UDL (dup) adapters (8 Six Packs) Splice Drawer (2-48 position)	C211594
48 PSF (dup) adapters (8 Six Packs) Splice Drawer (2-48 position)	C211558
48 PDL (dup) adapters (8 Six Packs) Splice Drawer (2-48 position)	C211601
48 USF (dup) adapters (8 Six Packs) Splice Drawer (2-48 position)	FM000242
48 ASF (dup) adapters (8 Six Packs) Splice Drawer (2-48 position)	FM000243

Notes:

- 1) All MM cable is 62.5 μm unless otherwise specified.
- 2) When ordering Empty Termination Patch/Splice Panel, accessories are available for field configuration.

Qualifications

GOVERNING BODY	STANDARD CODE
ASTM	ASTMB209
Telcordia	GR-63NEBS

Accessories

DESCRIPTION	AFL NO.
STF-48 Telescoping Splice Drawer	911442-00-00

Connector/Adapter Key

TYPE	DESCRIPTION
ASC	SC—Angle Polish, Simplex, SM
ASF	SC—Angle Polish, Duplex, SM
PSC	SC—Physical Polish, Simplex, MM
PSF	SC—Physical Polish, Duplex, MM
USC	SC—Ultra Polish, Simplex, SM
USF	SC—Ultra Polish, Duplex, SM
PST	ST—Physical Polish, Simplex, MM
UST	ST—Ultra Polish, Simplex, SM
AFC	FC—Angle Polish, Simplex, SM
PFC	FC—Physical Polish, Simplex, MM
UFC	FC—Ultra Polish, Simplex, SM
ADL	LC—Angle Polish, Duplex, SM
PLC	LC—Physical Polish, Simplex, MM
PDL	LC—Physical Polish, Duplex, MM
ULC	LC—Ultra Polish, Simplex, SM
UDL	LC—Ultra Polish, Duplex, SM