

LightLink LANSystem 7RU Fiber Patch and Splice Panel

The AFL 7RU Fiber Patch and Splice Panel is designed for use as a rack mount interconnect point where termination and connectivity of up to 144 fibers is desired. The two panel design is based on a 7 rack unit height comprised of a 4RU Termination Patch Panel and a 3RU Optical Splice Shelf. The 4RU Termination Patch Panel includes a master plate that is provisioned with 12 LGX® 118 compatible mounting positions. The 3RU Optical Splice Shelf utilizes three STF-48 telescoping splice drawers.

Standard 7RU Fiber Patch and Splice Panels are available empty for complete field configuration, half loaded with adapter plates and STF-48 telescoping splice trays, or loaded with pigtails, adapter plates and STF-48 telescoping splice trays.

Specifications

- Designed around Telcordia® GR-63NEBS
- Aluminum construction per ASTM B209
- Durable textured powder coat finish available in black or white
- Universal 19/23" EIA/TIA rack compatibility
- Standard density: up to 72-fiber
- High density: up to 144-fiber
- Fiber storage capacity—one meter per spliced fiber (3 mm jacket)
- Uses three STF-48 telescoping splice drawers
- Two panel package—4U patch and 3U splice
- 12 LGX 118 mm positions

Features

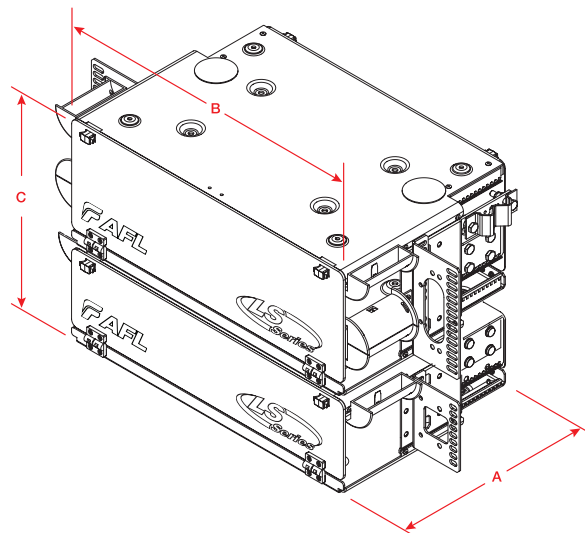
- Fits comfortably into new and existing interconnect, cross-connect, customer premise, and co-location environments
- Most common connector styles and types available
- Compatible with industry standard equipment frames
- LGX-compatible master plate (118 mm)
- Modular design
- Compact and versatile method of organizing splicing and connectivity
- Provides maximum protection of optical components

Applications

- Telecommunications closets
- Data Centers
- Customer Premise
- LAN / WAN Networks
- Central Offices / Headends
- Hubs / Cabinets / Remote Terminals
- FTTH / FTTB Networks

Dimensions

| DEPTH (A) IN INCHES | WIDTH (B) IN INCHES | HEIGHT (C) IN INCHES | RACK UNITS | FIBER CAPACITY |
|------------------------|------------------------|-------------------------|------------|----------------|
| 11.00 | 17.00 | 12.25 | 7 | 72/144 |



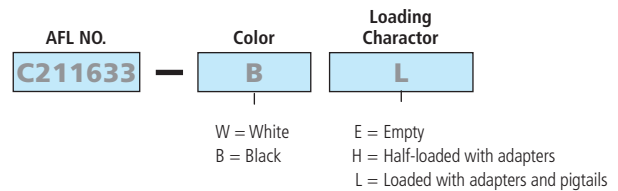
LGX is a registered trademark of Furukawa Electric North America, Inc.
Telcordia is a registered trademark of Telcordia Technologies, Inc.

LightLink LANSystem 7RU Fiber Patch and Splice Panel

Ordering Information

Select the seven-digit AFL number, specify the color and choose the loading character desired.

Example: Order number for a panel Black in color, loaded with master plate, adapter plates, 72 PSC adapters (12 Six packs), splice drawer (3-48 position), pigtails with connectors, hardware, cable clamp.



Empty - Includes master plate, mounting hardware, cable clamp.

Unloaded - Includes master plate, adapter plates, adapters, splice drawer (48 & up), hardware, cable clamp.

Loaded - Includes master plate, adapter plates, adapters, splice drawer (48 & up), pigtails with connectors, hardware, cable clamp.

Ordering Information

| CONFIGURATION | AFL NO. |
|--|----------|
| CNS072P—7U PATCH & SPLICE PANELS (1 EA. 4U PATCH, 3U SPLICE)—LGX118 | |
| EMPTY | C211615 |
| 72 PSC adapters (12 Six Packs)Splice Drawers (3-48 position) | C211633 |
| 72 UST adapters (12 Six Packs) Splice Drawers (3-48 position) | C211660 |
| 72 PST adapters (12 Six Packs)Splice Drawers (3-48 position) | C211669 |
| 36 UDL (dup) adapters (12 Three Packs)Splice Drawers (3-48 position) | FM000244 |
| 36 PDL (dup) adapters (12 Three Packs)Splice Drawers (3-48 position) | FM000245 |
| 72 ASC adapters (12 Six Packs)Splice Drawers (3-48 position) | C210958 |
| 72 UFC adapters (12 Six Packs)Splice Drawers (3-48 position) | C210946 |
| 72 USC adapters (12 Six Packs)Splice Drawers (3-48 position) | C210953 |
| 72 AFC adapters (12 Six Packs) Splice Drawers (3-48 position) | C210949 |
| 36 PSF (dup) adapters (12 Three Packs)Splice Drawers (3-48 position) | FM000246 |
| 36 USF (dup) adapters (12 Three Packs)Splice Drawers (3-48 position) | FM000247 |
| 36 ASF (dup) adapters (12 Three Packs)Splice Drawers (3-48 position) | FM000248 |
| CNS096P—7U PATCH & SPLICE PANELS (1 EA. 4U PATCH, 3U SPLICE)—LGX118 | |
| EMPTY | C210967 |
| 96 UST adapters (12 Eight Packs) Splice Drawers (2-48 position) | C210971 |
| 96 UFC adapters (12 Eight Packs) Splice Drawers (2-48 position) | C210976 |
| 96 AFC adapters (12 Eight Packs) Splice Drawers (2-48 position) | C210982 |
| 96 USC adapters (12 Eight Packs) Splice Drawers (2-48 position) | C210985 |
| 96 ASC adapters (12 Eight Packs) Splice Drawers (2-48 position) | C210989 |

Notes:

1) All MM cable is 62.5 µm unless otherwise specified.

2) When ordering Empty Termination Patch/Splice Panel, accessories are available for field configuration.

Qualifications

| GOVERNING BODY | STANDARD CODE |
|----------------|---------------|
| ASTM | ASTMB209 |
| Telcordia | GR-63NEBS |

| CONFIGURATION | AFL NO. |
|--|----------|
| CNS144HD—7RU HIGH DENSITY PATCH PANELS (1 EA. 4U PATCH, 3U SPLICE)—LGX118 | |
| 72 UDL (dup) adapters (12 Six Packs)Splice Drawers (3-48 position) | C211673 |
| 72 PSF (dup) adapters (12 Six Packs)Splice Drawers (3-48 position) | C211637 |
| 72 PDL (dup) adapters (12 Six Packs)Splice Drawers (3-48 position) | C211684 |
| 72 USF (dup) adapters (12 Six Packs)Splice Drawers (3-48 position) | FM000250 |
| 72 ASF (dup) adapters (12 Six Packs)Splice Drawers (3-48 position) | FM000251 |
| 144 UST adapters (12 Twelve Packs)Splice Drawers (3-48 position) | FM000252 |
| 144 PST adapters (12 Twelve Packs)Splice Drawers (3-48 position) | FM000253 |
| 144 UFC adapters (12 Twelve Packs)Splice Drawers (3-48 position) | FM000254 |
| 144 USC adapters (12 Twelve Packs)Splice Drawers (3-48 position) | FM000255 |
| 144 ASC adapters (12 Twelve Packs)Splice Drawers (3-48 position) | FM000256 |

Accessories

| DESCRIPTION | AFL NO. |
|----------------------------------|--------------|
| STF-48 Telescoping Splice Drawer | 911442-00-00 |

Connector/Adapter Key

| TYPE | DESCRIPTION |
|------|---------------------------------|
| ASC | SC—Angle Polish, Simplex, SM |
| ASF | SC—Angle Polish, Duplex, SM |
| PSC | SC—Physical Polish, Simplex, MM |
| PSF | SC—Physical Polish, Duplex, MM |
| USC | SC—Ultra Polish, Simplex, SM |
| USF | SC—Ultra Polish, Duplex, SM |
| PST | ST—Physical Polish, Simplex, MM |
| UST | ST—Ultra Polish, Simplex, SM |
| AFC | FC—Angle Polish, Simplex, SM |
| PFC | FC—Physical Polish, Simplex, MM |
| UFC | FC—Ultra Polish, Simplex, SM |
| ADL | LC—Angle Polish, Duplex, SM |
| PLC | LC—Physical Polish, Simplex, MM |
| PDL | LC—Physical Polish, Duplex, MM |
| ULC | LC—Ultra Polish, Simplex, SM |
| UDL | LC—Ultra Polish, Duplex, SM |