

LightLink LANSystem 8RU Fiber Patch and Splice Panel

The AFL 8RU Fiber Patch and Splice Panel is designed for use as a rack mount interconnect point where termination and connectivity of up to 144 fibers is desired. The standard density, two panel design is based on an 8 rack unit height comprised of a 5RU Termination Patch Panel and a 3RU Optical Splice Shelf. The 5RU Termination Patch Panel includes a master plate that is provisioned with twelve LGX® 170 compatible mounting positions. The 3RU Optical Splice Shelf utilizes three STF-48 telescoping splice drawers.

Standard 8RU Fiber Patch and Splice Panels are available empty for complete field configuration, half loaded with adapter plates and STF-48 telescoping splice trays, or loaded with pigtails, adapter plates and STF-48 telescoping splice trays.

Specifications

- Designed around Telcordia® GR-63NEBS
- Aluminum construction per ASTM B209
- Durable textured powder coat finish available in black or white
- Universal 19/23" EIA/TIA rack compatibility
- Standard density: up to 144-fiber
- Fiber storage capacity—one meter per spliced fiber (3 mm jacket)
- Uses three STF-48 telescoping splice drawers
- Two panel package Standard Density: 5U patch and 3U splice
- 12 LGX 170 mm positions

Features

- Fits comfortably into new and existing interconnect, cross-connect, customer premise, and co-location environments
- Most common connector styles and types available
- Compatible with industry standard equipment frames
- LGX compatible master plate (170 mm)
- Modular design
- Compact and versatile method of organizing splicing and connectivity

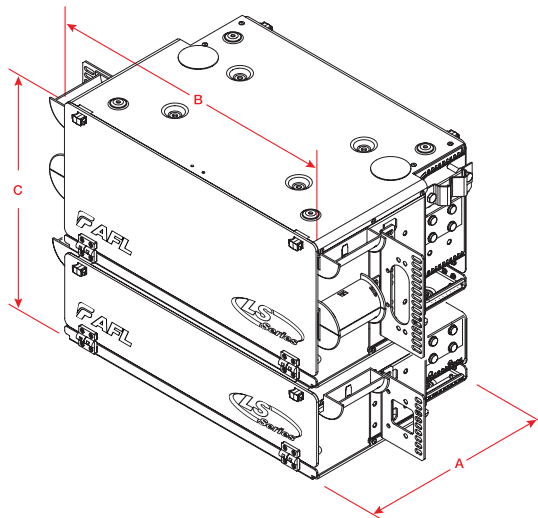
- Provides maximum protection of optical components

Applications

- Telecommunications closets
- Data Centers
- Customer Premise
- LAN / WAN Networks
- Central Offices / Headends
- Hubs / Cabinets / Remote Terminals
- FTTH / FTTB Networks

Dimensions

PANEL VERSION	DEPTH (A) IN INCHES	WIDTH (B) IN INCHES	HEIGHT (C) IN INCHES	RACK UNITS	FIBER CAPACITY
Standard	11.00	17.00	14.00	8	144



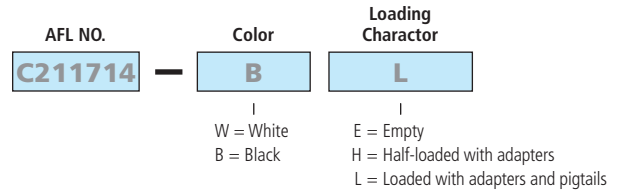
LGX is a registered trademark of Furukawa Electric North America, Inc.

Telcordia is a registered trademark of Telcordia Technologies, Inc.

LightLink LANSystem 8RU Fiber Patch and Splice Panel

Ordering Information

Select the seven-digit AFL number, specify the color and choose the loading character desired.



Example: Order number for a panel Black in color, loaded with, master plate, adapter plates, 144 PSC adapters (12 Twelve packs), splice drawer (3-48 position), pigtails with connectors, hardware, cable clamp.

Empty - Includes master plate, mounting hardware, cable clamp.

Unloaded - Includes master plate, adapter plates, adapters, splice drawer (48 & up), hardware, cable clamp.

Loaded - Includes master plate, adapter plates, adapters, splice drawer (48 & up), pigtails with connectors, hardware, cable clamp.

Configuration Part Numbers

CONFIGURATION	AFL NO.
CNS144P—8U PATCH & SPLICE PANELS (1 EA. 4U PATCH, 3U SPLICE)	LGX170
EMPTY	C211696
144 PSC adapters (12 Twelve Packs) Splice Drawers (3-48 position)	C211714
144 UST adapters (12 Twelve Packs) Splice Drawers (3-48 position)	C211741
144 PST adapters (12 Twelve Packs) Splice Drawers (3-48 position)	C211750
72 UDL (dup) adapters (12 Six Packs) Splice Drawers (3-48 position)	FM000258
72 PDL (dup) adapters (12 Six Packs) Splice Drawers (3-48 position)	FM000259
144 ASC adapters (12 Twelve Packs) Splice Drawers (3-48 position)	C211021
144 UFC adapters (12 Twelve Packs) Splice Drawers (3-48 position)	C211007
144 USC adapters (12 Twelve Packs) Splice Drawers (3-48 position)	FM000260
72 PSF (dup) adapters (12 Six Packs) Splice Drawers (3-48 position)	FM000261
72 USF (dup) adapters (12 Six Packs) Splice Drawers (3-48 position)	FM000262
72 ASF (dup) adapters (12 Six Packs) Splice Drawers (3-48 position)	FM000263

Notes:

- 1) All MM cable is 62.5 µm unless otherwise specified.
- 2) When ordering Empty Termination Patch/Splice Panel, accessories are available for field configuration.

Accessories

DESCRIPTION	AFL NO.
STF-48 Telescoping Splice Drawer	911442-00-00

Connector/Adapter Key

TYPE	DESCRIPTION
ASC	SC—Angle Polish, Simplex, SM
ASF	SC—Angle Polish, Duplex, SM
PSC	SC—Physical Polish, Simplex, MM
PSF	SC—Physical Polish, Duplex, MM
USC	SC—Ultra Polish, Simplex, SM
USF	SC—Ultra Polish, Duplex, SM
PST	ST—Physical Polish, Simplex, MM
UST	ST—Ultra Polish, Simplex, SM
AFC	FC—Angle Polish, Simplex, SM
PFC	FC—Physical Polish, Simplex, MM
UFC	FC—Ultra Polish, Simplex, SM
ADL	LC—Angle Polish, Duplex, SM
PLC	LC—Physical Polish, Simplex, MM
PDL	LC—Physical Polish, Duplex, MM
ULC	LC—Ultra Polish, Simplex, SM
UDL	LC—Ultra Polish, Duplex, SM